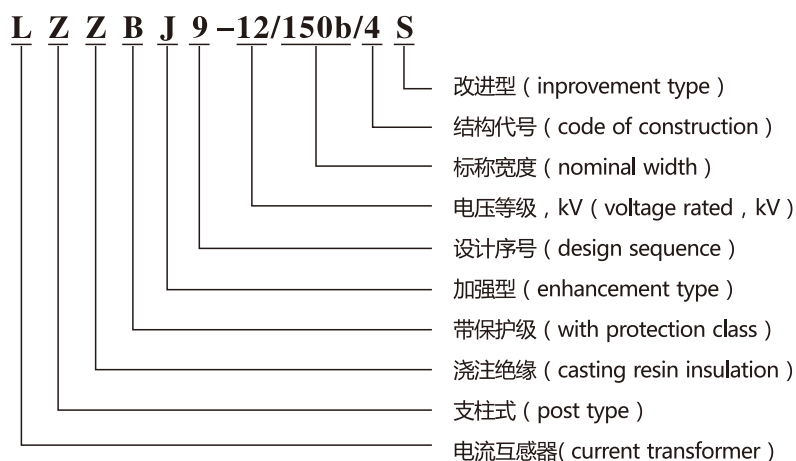


LZZBJ9-12/150b/4S(AS12/150b/4S)型电流互感器

Type LZZBJ9-12/150b/4S(AS12/150b/4S) current transformers

型号及含义 (Model and meaning)



技术参数 (Technical date)

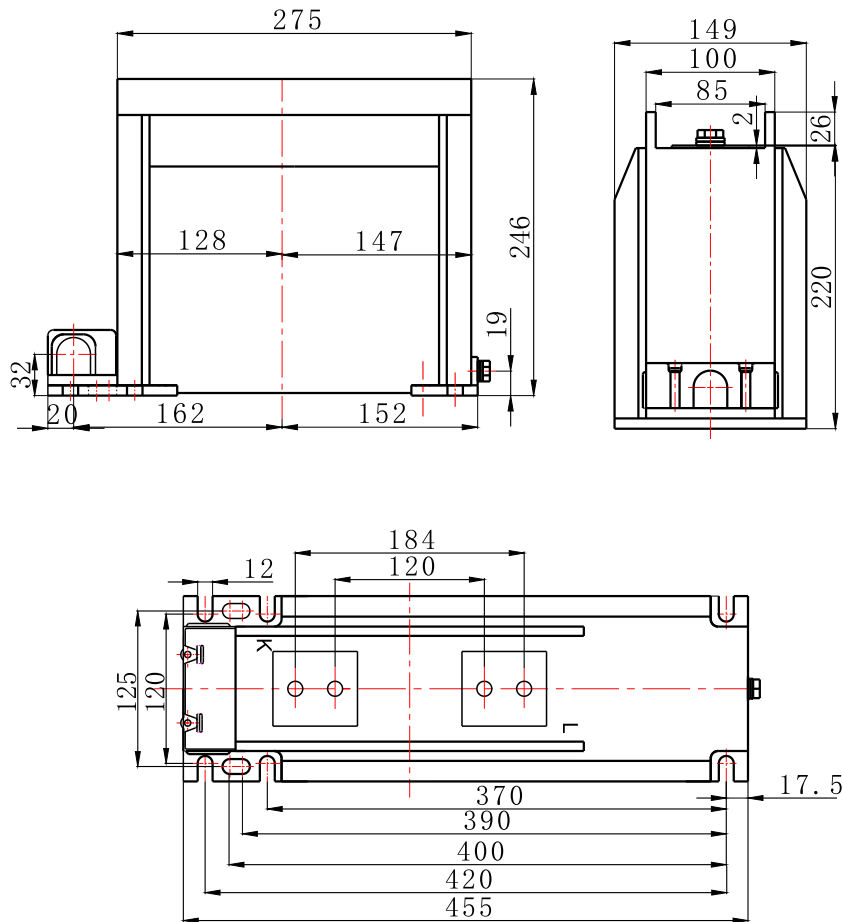
- 产品性能符合标准 GB20840.1 GB20840.2 IEC61869-1 IEC61869-2
- The voltage transformers are in accordance with GB20840.1 GB20840.2 IEC61869-1 IEC61869-2 standards
- 额定绝缘水平12/42/75 kV
- Rated insulation level 12/42/75 kV
- 额定频率50Hz或60Hz
- Rated frequency 50Hz or 60Hz
- 额定二次电流5A或1A
- Rated secondary current 5A or 1A
- 环境温度-25°C ~ 40°C
- Ambient temperature -25°C ~ 40°C
- 海拔 海平面上1000m
- Altitude up to 1000m above sea level
- 户内装置
- Indoor device

型号 Type	LZZBJ9-12/150b/4S(AS12/150b/4S) 两绕组Two windings								LZZBJ9-12/150b/4S(AS12/150b/4S) 三绕组Three windings							
	准确级组合 Accuracy classes combination	额定二次输出(VA) Rated Secondary output					短时热电流(KA/s) Short-time thermal current	动稳定电流(KA) Dynamic current	准确级组合 Accuracy classes combination	额定二次输出(VA) Rated Secondary output				短时热电流(KA/s) Short-time thermal current	动稳定电流(KA) Dynamic current	
		0.2s	0.2	0.5s	0.5	5P/10P (1020)				0.2	0.5	5P10	5P20			
20-100	0.2/0.5 0.2/5P10 0.5/5P20 0.5/5P20 0.2s/0.5 0.2s/5P10	10				150IIn	375IIn	0.2/0.5/5P10 0.2/0.5/5P20 0.5/0.5/5P10 0.5/0.5/5P20	10				150IIn	375IIn		
150						31.5	80						31.5	80		
200						31.5	80						31.5	80		
300						45	112.5						45	112.5		
400						45	112.5						45	112.5		
500						63	130						63	130		
600		63	130	63	130											
800		63	130	63	130											
1000		15				80	200	0.2s/0.5/5P20	15				80	200		
1200						80	200	80					200			
1250						80	200	80					200			
						80	200	80					200			

注：如用户要求的参数与上列不同，可协商解决。

Note: If user's date is different from the above-mentioned scope ,they may be an negotiated settlement

外形尺寸图 (Overall dimensions)



注意事项 (Matters needing attention)

电流互感器的一次绕组有电流通过时，二次绕组不得开路，否则将有高电压产生，对人身安全和产品性能会有危险或影响。

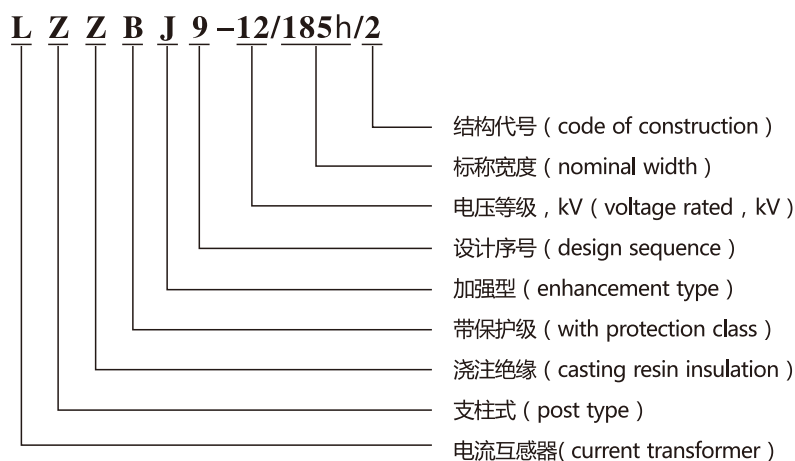
重复工频耐压实验，应在规定的试验电压值的85%下进行。

A current transformer current passes through the two secondary winding, not open, otherwise there will be a high voltage generation, there will be danger or impact on personal safety and product performance.

Repeated power frequency withstand voltage test, should in the test voltage specified value 85%.

LZZBJ9-12/185h/2(AS12/185h/2)型电流互感器 Type LZZBJ9-12/185h/2(AS12/185h/2) current transformers

型号及含义 (Model and meaning)



技术参数 (Technical date)

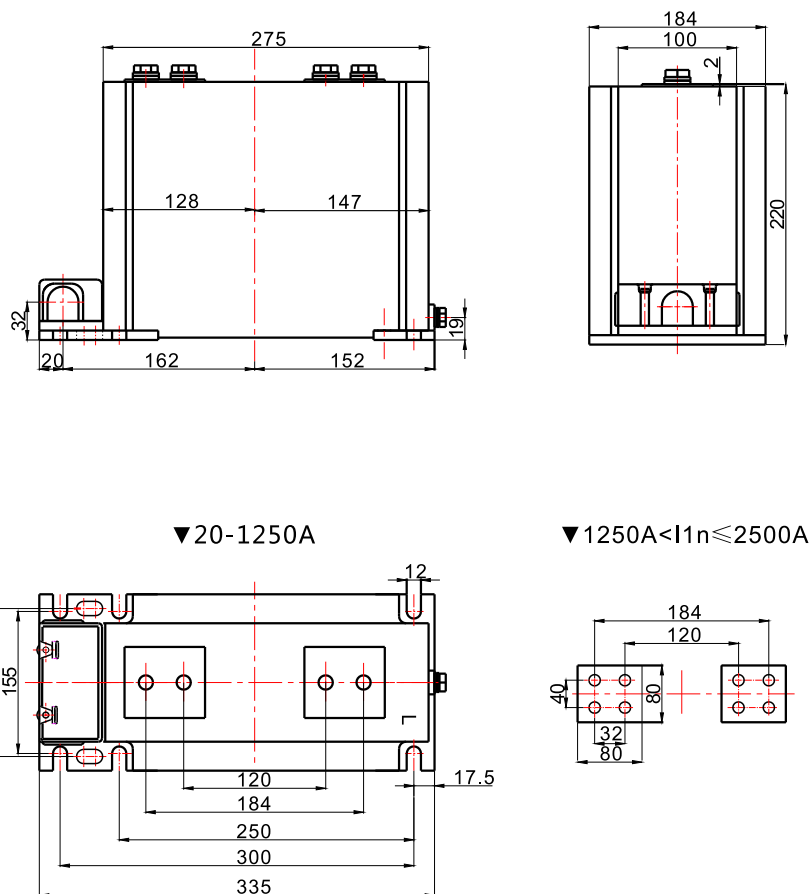
- 产品性能符合标准
GB20840.1 GB20840.2
IEC61869-1 IEC61869-2
- 额定绝缘水平12/42/75 kV
- 额定频率50Hz或60Hz
- 额定二次电流5A或1A
- 环境温度-25°C ~ 40°C
- 海拔 海平面上1000m
- 户内装置
- The voltage transformers are in accordance with
GB20840.1 GB20840.2
IEC61869-1 IEC61869-2 standards
- Rated insulation level 12/42/75 kV
- Rated frequency 50Hz or 60Hz
- Rated secondary current 5A or 1A
- Ambient temperature -25°C ~ 40°C
- Altitude up to 1000m above sea level
- Indoor device

型号 Type	LZZBJ9-12/185h/2(AS12/185h/2) 两绕组Two windings							LZZBJ9-12/185h/2 (AS12/185h/2) 三绕组Three windings						
	准确级组合 Accuracy classes combination	额定二次输出(VA) Rated Secondary output					短时热电 流(KA/s) Short-time thermal current	动稳定电流 (KA) Dynamic current	准确级组合 Accuracy classes combination	额定二次输出(VA) Rated Secondary output			短时热电 流(KA/s) Short-time thermal current	动稳定电流 (KA) Dynamic current
		0.2s	0.2	0.5s	0.5	5P/10P (10,20,25)				0.2	0.5	10P10		
300	0.2/0.5	10	15	20	25	30	100I _n	250I _n	0.2/0.5/10P10	10	10	10	100I _n	250I _n
400							45	112.5					45	112.5
500							63	130					63	130
600							63	130					63	130
800							80	200					80	200
1000							80	200					80	200
1200							80	200					80	200
1500							100	250					100	250
2000							100	250					100	250
2500							100	250					100	250
3000	100	250	100	250										

注：如用户要求的参数与上列不同，可协商解决。

Note: If user's date is different from the above-mentioned scope ,they may be an negotiated settlement

外形尺寸图 (Overall dimensions)



注意事项 (Matters needing attention)

电流互感器的一次绕组有电流通过时，二次绕组不得开路，否则将有高电压产生，对人身安全和产品性能会有危险或影响。

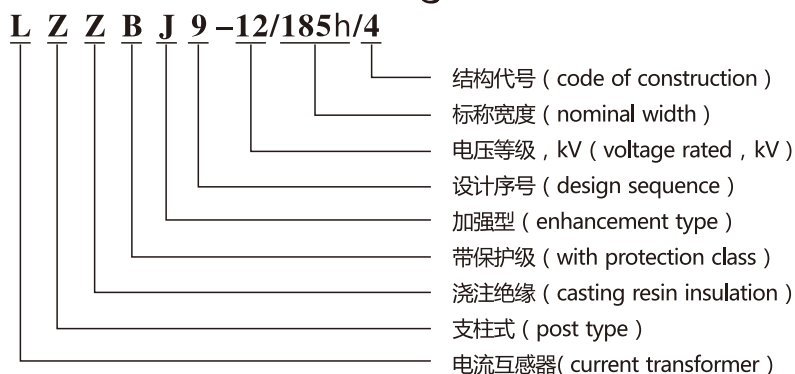
重复工频耐压实验，应在规定的试验电压值的85%下进行。

A current transformer current passes through the two secondary winding, not open, otherwise there will be a high voltage generation, there will be danger or impact on personal safety and product performance.

Repeated power frequency withstand voltage test, should in the test voltage specified value 85%.

LZZBJ9-12/185h/4(AS12/185h/4)型电流互感器 Type LZZBJ9-12/185h/4(AS12/185h/4)current transformers

型号及含义 (Model and meaning)



技术参数 (Technical date)

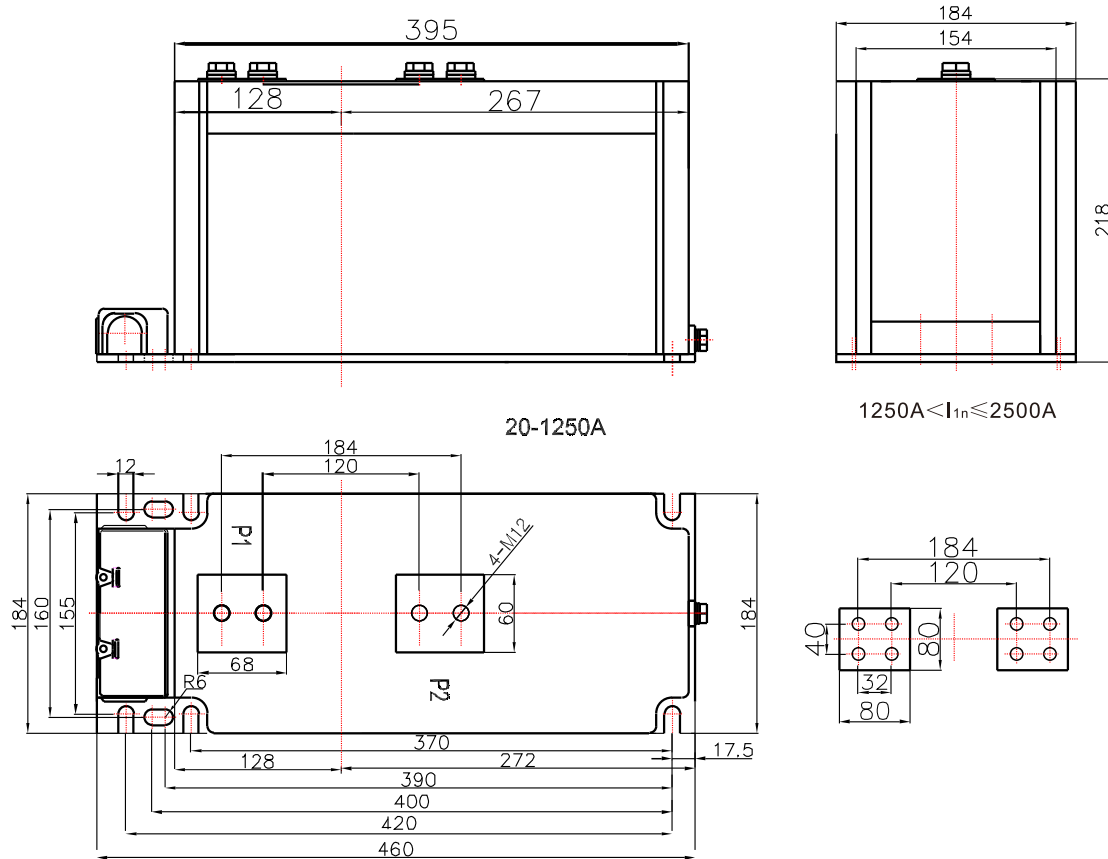
- 产品性能符合标准
GB20840.1 GB20840.2
IEC61869-1 IEC61869-2
- 额定绝缘水平12/42/75 kV
- 额定频率50Hz或60Hz
- 额定二次电流5A或1A
- 环境温度-25°C ~ 40°C
- 海拔 海平面上1000m
- 户内装置
- The voltage transformers are in accordance with
GB20840.1 GB20840.2
IEC61869-1 IEC61869-2 standards
- Rated insulation level 12/42/75 kV
- Rated frequency 50Hz or 60Hz
- Rated secondary current 5A or 1A
- Ambient temperature -25°C ~ 40°C
- Altitude up to 1000m above sea level
- Indoor device

型号 Type	LZZBJ9-12/185h/4(AS12/185h/4) 两绕组Two windings							LZZBJ9-12/185h/4(AS12/185h/4) 三绕组Three windings							
	准确级组合 Accuracy classes combination	额定二次输出(VA) Rated Secondaryoutput					短时热电 流(KA/s) Short-time thermal current	动稳定电流 (KA) Dynamic current	准确级组合 Accuracy classes combination	额定二次输出(VA) Rated Secondaryoutput				短时热电 流(KA/s) Short-time thermal current	动稳定电流 (KA) Dynamic current
		0.2s	0.2	0.5s	0.5	5P/10P (10,20)				0.2	0.5	5P10	5P20		
20-100	0.2/0.5 0.2/5P10 0.2/5P20 0.5/5P10 0.5/5P20 0.2s/0.5 0.2s/5P10 0.2s/5P20	10				30	150IIn	375IIn	0.2/0.5/5P10 0.2/0.5/5P20 0.5/0.5/5P10 0.5/0.5/5P20 0.5/5P10/5P10 0.5/5P10/5P20 0.2s/0.5/5P10 0.2s/0.5/5P20	10				150IIn	375IIn
150							31.5	80						31.5	80
200							31.5	80						31.5	80
300							45	112.5						45	112.5
400							45	112.5						45	112.5
500							63	130						63	130
600		63	130	63	130										
800		63	130	63	130										
1000		80	160	80	160										
1200		80	160	80	160										
1250		80	160	80	160										
1500		100	250	100	250										
2000		100	250	100	250										
2500		100	250	100	250										

注：如用户要求的参数与上列不同，可协商解决。

Note: If user's date is different from the above-mentioned scope ,they may be an negotiated settlement

外形尺寸图 (Overall dimensions)



注意事项 (Matters needing attention)

电流互感器的一次绕组有电流通过时，二次绕组不得开路，否则将有高电压产生，对人身安全和产品性能会有危险或影响。

重复工频耐压实验，应在规定的试验电压值的85%下进行。

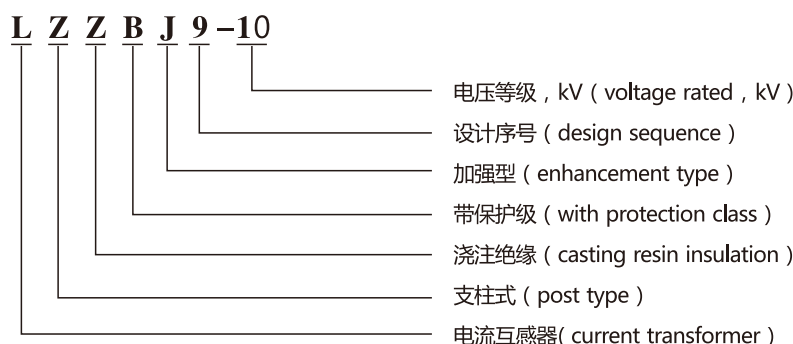
A current transformer current passes through the two secondary winding, not open, otherwise there will be a high voltage generation, there will be danger or impact on personal safety and product performance.

Repeated power frequency withstand voltage test, should in the test voltage specified value 85%.

LZZBJ9-10(A,B,C)型电流互感器

Type LZZBJ9-10(A,B,C) current transformers

型号及含义 (Model and meaning)



技术参数 (Technical data)

- 产品性能符合标准
GB20840.1 GB20840.2
IEC61869-1 IEC61869-2
- 额定绝缘水平12/42/75 kV
- 额定频率50Hz或60Hz
- 额定二次电流5A或1A
- 环境温度-25℃~40℃
- 海拔 海平面上1000m
- 户内装置
- The voltage transformers are in accordance with
GB20840.1 GB20840.2
IEC61869-1 IEC61869-2 standards
- Rated insulation level 12/42/75 kV
- Rated frequency 50Hz or 60Hz
- Rated secondary current 5A or 1A
- Ambient temperature -25℃~40℃
- Altitude up to 1000m above sea level
- Indoor device

LZZBJ9-10型电流互感器双绕组技术参数 (Technical data of type LZZBJ9-10 current transformer windings)

额定电压 (kV) Rated voltage	LZZBJ9-10A1					LZZBJ9-10C2						
	额定一次电 流 (A) Rated primary current	准确级组合 Accuracy classes combination	额定二次输出 (VA) Rated Secondary output	短时热电 流(KA/s) Short-time thermal current	动稳定电流 (KA) Dynamic current	准确级组合 Accuracy classes combination	额定二次输出(VA) Rated Secondary output				短时热电 流(KA/s) Short-time thermal current	动稳定电流 (KA) Dynamic current
							0.2 0.2s	0.5 0.5s	10P10	10P15		
10	5~100	0.5/10P15	15/15	100I1n	250I1n	0.2S/10P 0.2/10P 0.2S/0.5 0.2/0.5 0.5S/10P 0.5/10P	10	20	20	20	100I1n	250I1n
		0.2/10P15	10/15	100I1n	250I1n							
		0.2(0.5)/10P10	10/15	200I1n	50I1n							
		0.2(0.5)/10P10	10/15	200	500							
	150	0.5/10P15	15/15	31.5	80						31.5	80
		0.2/10P15	10/15	31.5	80							
	200	0.2(0.5)/10P10	10/15	45	112.5						45	112.5
		0.5/10P15	15/15									
		0.2/10P15	10/15									
	250	0.2(0.5)/10P10	10/15	45	112.5						45	112.5
		0.5/10P15	15/15									
		0.2/10P15	10/15									

额定电压 (kV) Rated voltage	LZZBJ9-10A1					LZZBJ9-10C2							
	额定一次电 流 (A) Rated primary current	准确级组合 Accuracy classes combination	额定二次输出 (VA) Rated Secondary output	短时热电 流(KA/s) Short-time thermal current	动稳定电流 (KA) Dynamic current	准确级组合 Accuracy classes combination	额定二次输出(VA) Rated Secondary output				短时热电 流(KA/s) Short-time thermal current	动稳定电流 (KA) Dynamic current	
							0.2 0.2s	0.5 0.5s	10P10	10P15			
10	300	0.5/10P15	15/15	45	112.5	0.2S/10P 0.2/10P 0.2S/0.5 0.2/0.5 0.5S/10P 0.5/10P			20	45	112.5		
		0.2/10P15	10/15										
		0.2(0.5)/10P10	10/15										
	400	0.5/10P15	15/15		63		130	10	20	20	15	63	130
		0.2/10P15	10/15										
		0.2(0.5)/10P10	10/15										
	500	0.5/10P15	15/15	80			160				20	80	160
		0.2/10P15	10/15										
		0.2(0.5)/10P10	10/15										
	600	0.5/10P10	15/15		100		160	30			30	100	160
		0.2/10P10	10/15										
		0.2(0.5)/10P10	15/20										
	800	0.5/10P10	10/15	100			160	30		20	30	100	160
		0.2/10P10	15/25										
		0.2(0.5)/10P10	15/25										
	1500	0.5/10P15	20/15		100		160	60	30	30	30	100	160
		0.2/10P15	20/15										
		0.2(0.5)/10P10	20/25										
1600	0.5/10P10	20/25	100	160		60	30	30	30	100	160		
	0.2/10P10	15/25											
	0.2(0.5)/10P10	15/25											
2000	0.5/10P15	20/15		100	160	60	30	30	30	100	160		
	0.2/10P15	20/15											
	0.2(0.5)/10P10	20/25											
2500	0.5/10P10	20/25	100		160	60	30	30	30	100	160		
	0.2/10P10	15/25											
	0.2(0.5)/10P10	15/25											

LZZBJ9-10型电流互感器三绕组技术参数

With three windings technical data of type LZZBJ9-10 current transformer

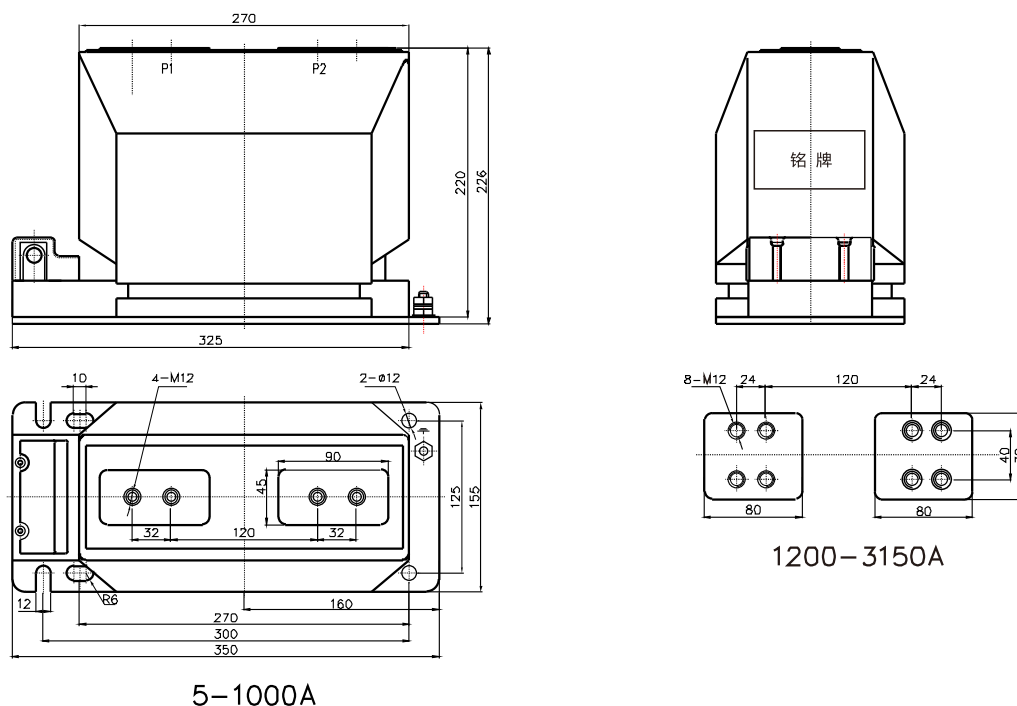
额定电压 (kV) Rated voltage	LZZBJ9-10A1			LZZBJ9-10C2		短时热电 流(KA/s) Short-time thermal current	动稳定电流 (KA) Dynamic current
	额定一次电 流 (A) Rated primary current	准确级组合 Accuracy classes combination	额定二次输出 (VA) Rated Secondary output	准确级组合 Accuracy classes combination	额定二次输出 (VA) Rated Secondary output		
10	5、10、15、20、 30、40、50、753	0.2/0.5/10P10 0.5/0.5/10P10 0.5/10P10/10P10	10/20/10 20/20/10 20/10/10	0.2/0.5/10P10 0.5/0.5/10P10 0.5/10P10/10P10	10/20/20 20/20/20 20/15/15	100I1n	250I1n
	100	0.2/0.5/10P10 0.5/0.5/10P10 0.5/10P10/10P10		0.2/0.5/10P10 0.5/0.5/10P10 0.5/10P10/10P10		21	52.5
	150、200	0.2/0.5/10P10 0.5/0.5/10P10 0.5/10P10/10P10		0.2/0.5/10P10 0.5/0.5/10P10 0.5/10P10/10P10		31.5	80
	300、400	0.2/0.5/10P10 0.5/0.5/10P10 0.5/10P10/10P10		0.2/0.5/10P10 0.5/0.5/10P10 0.5/10P10/10P10		45	112.5
	500	0.2/0.5/10P10 0.5/0.5/10P10 0.5/10P10/10P10		0.2/0.5/10P10 0.5/0.5/10P10 0.5/10P10/10P10		63	130
	600	0.2/0.5/10P10 0.5/0.5/10P10 0.5/10P10/10P10		0.2/0.5/10P10 0.5/0.5/10P10 0.5/10P10/10P10			

额定电压 (kV) Rated voltage	LZZBJ9-10A1			LZZBJ9-10C2		短时热电流 (KA/s) Short-time thermal current	动稳定电流 (KA) Dynamic current
	额定一次电流 (A) Rated primary current	准确级组合 Accuracy classes combination	额定二次输出 (VA) Rated Secondary output	准确级组合 Accuracy classes combination	额定二次输出 (VA) Rated Secondary output		
10	800	0.2/0.5/10P10 0.5/0.5/10P10 0.5/10P10/10P10	10/20/10 20/20/10 20/10/10	0.2/0.5/10P10 0.5/0.5/10P10 0.5/10P10/10P10	10/20/20 20/20/20 20/15/15	63	130
	1000、1200	0.2/0.5/10P10 0.5/0.5/10P10 0.5/10P10/10P10	10/30/15 30/30/15 30/10/15	0.2/0.5/10P10 0.5/0.5/10P10 0.5/10P10/10P10	10/30/20 30/30/20 30/15/15	80	160
	1500、1600	0.2/0.5/10P10 0.5/0.5/10P10 0.5/10P10/10P10		0.2/0.5/10P10 0.5/0.5/10P10 0.5/10P10/10P10	30/40/20 40/40/20 10/15/15	100	
	2000	0.2/0.5/10P10 0.5/0.5/10P10 0.5/10P10/10P10	20/30/15 30/30/15 30/10/15	0.2/0.5/10P10 0.5/0.5/10P10 0.5/10P10/10P10	30/60/30 60/60/30 60/20/20		
	2500	0.2/0.5/10P10 0.5/0.5/10P10 0.5/10P10/10P10	20/30/15 30/30/15 30/10/15	0.2/0.5/10P10 0.5/0.5/10P10 0.5/10P10/10P10	30/60/30 60/60/30 60/20/20		
	3000、3150			0.2/0.5/10P10 0.5/0.5/10P10 0.5/10P10/10P10	30/60/30 60/60/20 60/20/15		

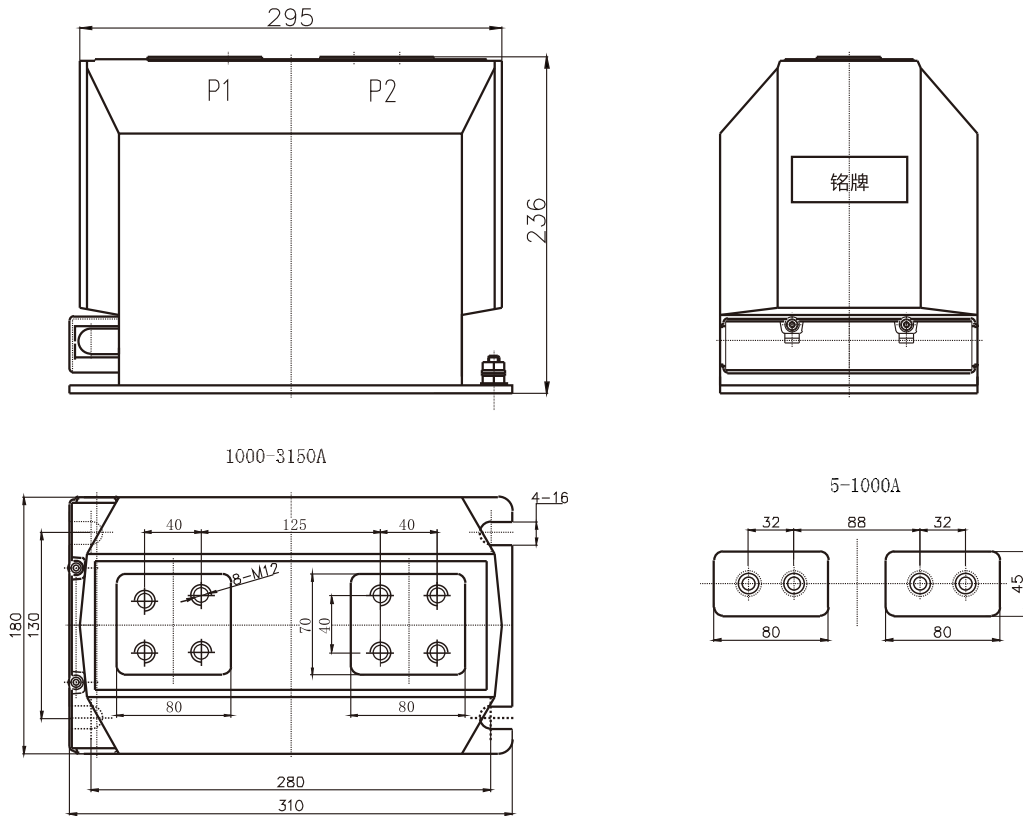
注：如用户要求的参数与上列不同，可协商解决。

Note: If user's data is different from the above-mentioned scope, they may be an negotiated settlement

外形尺寸图 (Overall dimensions)



..... ▲LZZBJ9-10 A1.....



.....▲LZZBJ9-10 C2.....

注意事项 (Matters needing attention)

电流互感器的一次绕组有电流通过时，二次绕组不得开路，否则将有高电压产生，对人身安全和产品性能会有危险或影响。

重复工频耐压实验，应在规定的试验电压值的85%下进行。

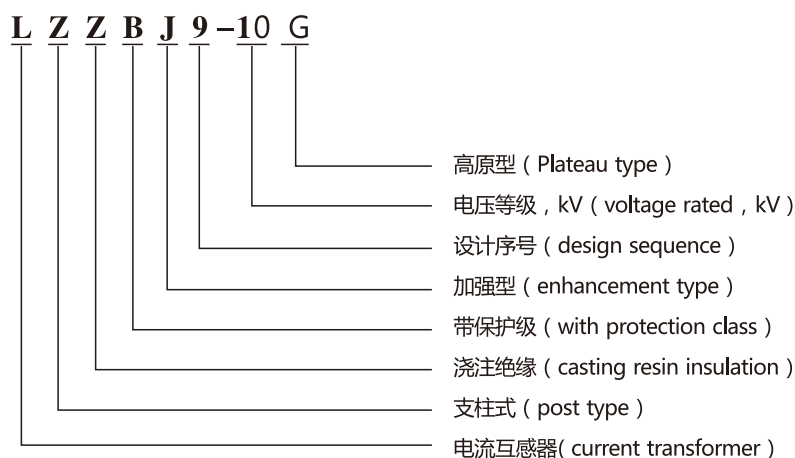
A current transformer current passes through the two secondary winding, not open, otherwise there will be a high voltage generation, there will be danger or impact on personal safety and product performance.

Repeated power frequency withstand voltage test, should in the test voltage specified value 85%.

LZZBJ9-10G型电流互感器

Type LZZBJ9-10G current transformers

型号及含义 (Model and meaning)



技术参数 (Technical date)

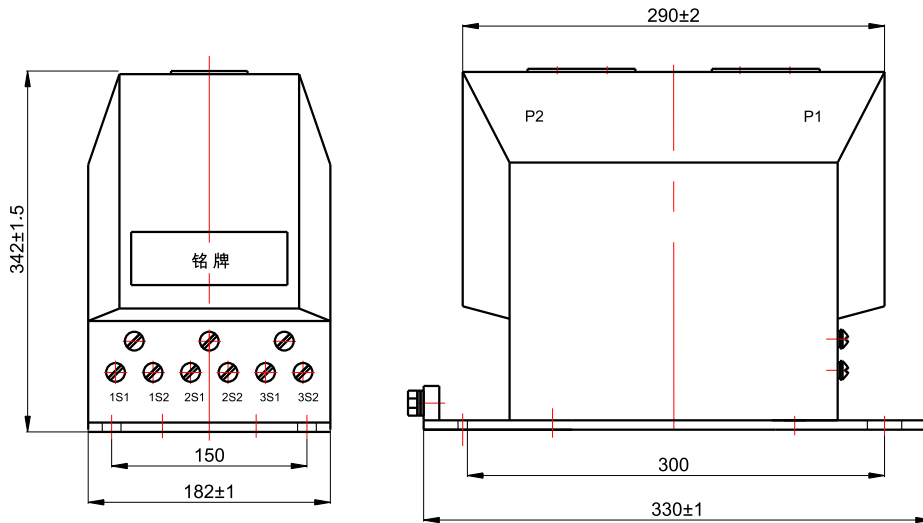
- 产品性能符合标准
GB20840.1 GB20840.2
IEC61869-1 IEC61869-2
- 额定绝缘水平12/42/75 kV
- 额定频率50Hz或60Hz
- 额定二次电流5A或1A
- 环境温度-25℃ ~ 40℃
- 海拔 海平面上1000m
- 户内装置
- The voltage transformers are in accordance with
GB20840.1 GB20840.2
IEC61869-1 IEC61869-2 standards
- Rated insulation level 12/42/75 kV
- Rated frequency 50Hz or 60Hz
- Rated secondary current 5A or 1A
- Ambient temperature -25℃ ~ 40℃
- Altitude up to 1000m above sea level
- Indoor device

额定电压 (kV) Rated voltage	额定一次电流 (A) Rated primary current	准确级组合 Accuracy classes combination		额定输出(VA) Rated output	短时热电流(KA/s) Short-time thermal current	动稳定电流(KA) Dynamic current
		测量绕组 (MW)	保护绕组 (PW)			
10	5~3150	0.2,0.5 0.2S,0.5S	0.2,0.5 0.2S,0.5S	10,15,20	100I _n	2.5I _{th}

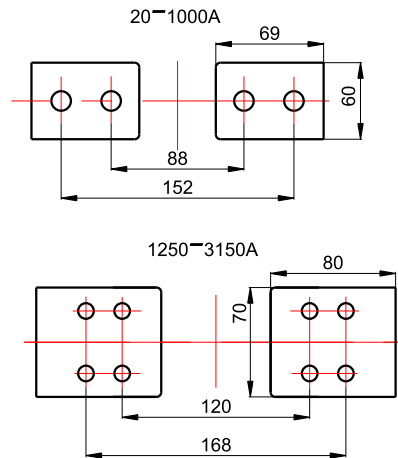
注：如用户要求的参数与上列不同，可协商解决。

Note: If user's date is different from the above-mentioned scope ,they may be an negotiated settlement

外形尺寸图 (Overall dimensions)



一次接线端子



注意事项 (Matters needing attention)

电流互感器的一次绕组有电流通过时，二次绕组不得开路，否则将有高电压产生，对人身安全和产品性能会有危险或影响。

重复工频耐压实验，应在规定的试验电压值的85%下进行。

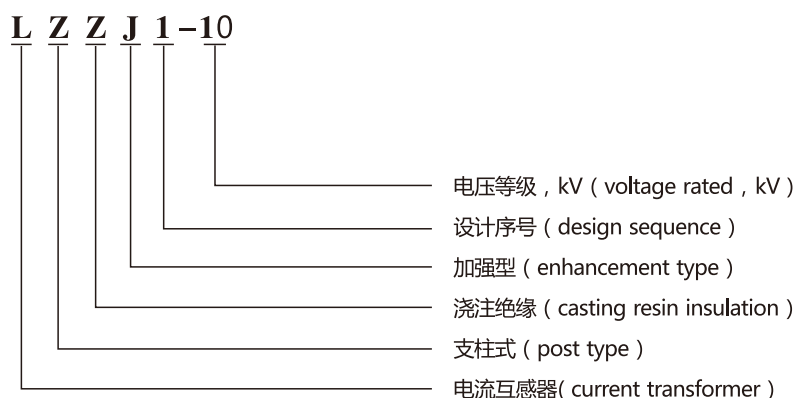
A current transformer current passes through the two secondary winding, not open, otherwise there will be a high voltage generation, there will be danger or impact on personal safety and product performance.

Repeated power frequency withstand voltage test, should in the test voltage specified value 85%.

LZZJ1-10型电流互感器

Type LZZJ1-10 current transformers

型号及含义 (Model and meaning)



技术参数 (Technical date)

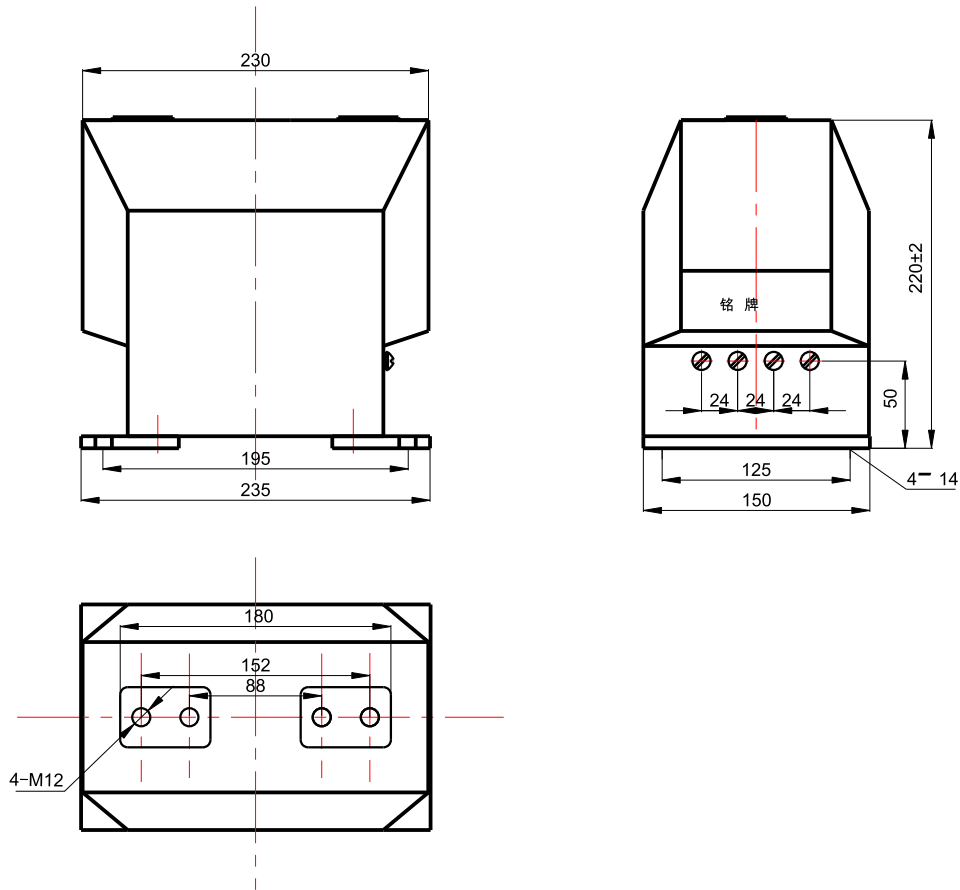
- 产品性能符合标准
GB20840.1 GB20840.2
IEC61869-1 IEC61869-2
- The voltage transformers are in accordance with
GB20840.1 GB20840.2
IEC61869-1 IEC61869-2 standards
- 额定绝缘水平12/42/75 kV
- Rated insulation level 12/42/75 kV
- 额定频率50Hz或60Hz
- Rated frequency 50Hz or 60Hz
- 额定二次电流5A或1A
- Rated secondary current 5A or 1A
- 环境温度-25°C ~ 40°C
- Ambient temperature -25°C ~ 40°C
- 海拔 海平面上1000m
- Altitude up to 1000m above sea level
- 户内装置
- Indoor device

额定电压 (kV) Rated voltage	额定一次电流 (A) Rated primary current	准确级组合 Accuracy classes combination	额定输出(VA) Rated output					短时热电流(KA/s) Short-time thermal current	动稳定电流(KA) Dynamic current					
			0.2s	0.2	0.5s	0.5	10P10							
10	20	0.2/10P10	10	10	10	15	20	1.6	4					
	30~40	0.2/0.2						3.15	8					
	50	0.5/10P10						6.3	16					
	75	10P10/10P10						6.3	16					
	100~150	0.5/0.5						8	20					
	200	0.5/0.5/10P10						12.5	31.5					
	300	0.2/0.5/10P10						20	50					
	400	0.2/0.2/10P10						20	50					
	500~600	0.2/10P10/10P10						10	15	10	15	20	25	63
	800	0.5/10P10/10P10						10	15	10	15	20	31.5	80
1000		15	20	15	20	25	31.5	80						

注：如用户要求的参数与上列不同，可协商解决。

Note: If user's date is different from the above-mentioned scope ,they may be an negotiated settlement

外形尺寸图 (Overall dimensions)



注意事项 (Matters needing attention)

电流互感器的一次绕组有电流通过时，二次绕组不得开路，否则将有高电压产生，对人身安全和产品性能会有危险或影响。

重复工频耐压实验，应在规定的试验电压值的85%下进行。

A current transformer current passes through the two secondary winding, not open, otherwise there will be a high voltage generation, there will be danger or impact on personal safety and product performance.

Repeated power frequency withstand voltage test, should in the test voltage specified value 85%.

LZZJ-10型电流互感器

Type LZZJ-10 current transformers

型号及含义 (Model and meaning)



技术参数 (Technical date)

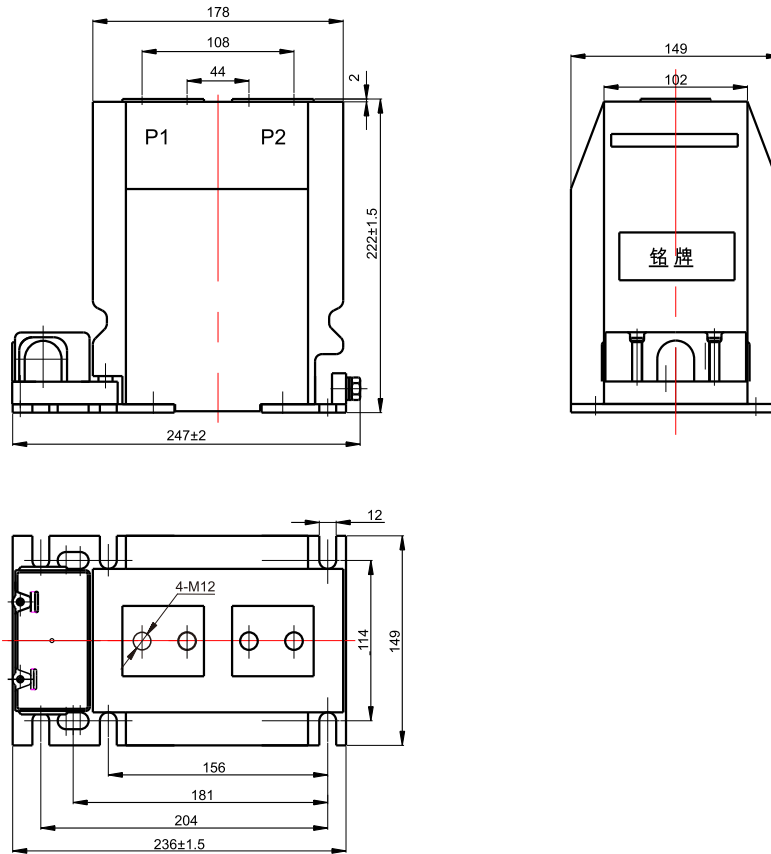
- 产品性能符合标准
GB20840.1 GB20840.2
IEC61869-1 IEC61869-2
- The voltage transformers are in accordance with
GB20840.1 GB20840.2
IEC61869-1 IEC61869-2 standards
- 额定绝缘水平12/42/75 kV
- Rated insulation level 12/42/75 kV
- 额定频率50Hz或60Hz
- Rated frequency 50Hz or 60Hz
- 额定二次电流5A或1A
- Rated secondary current 5A or 1A
- 环境温度-25℃~40℃
- Ambient temperature -25℃~40℃
- 海拔 海平面上1000m
- Altitude up to 1000m above sea level
- 户内装置
- Indoor device

额定电压 (kV) Rated voltage	额定一次电流 (A) Rated primary current	准确级组合 Accuracy classes combination	额定输出(VA) Rated output					短时热电流(KA/s) Short-time thermal current	动稳定电流(KA) Dynamic current
			0.2s	0.2	0.5s	0.5	10P10		
10	5~250	0.2(S)/0.2(S)	10	10	10	10	15	150I _{1n}	375I _{1n}
	300	0.2(S)/0.5(S)				15	20	45	80
	400~600	0.5(S)/0.5(S)				15	20	63	100
		0.2(S)/5P10	15	15	15	20	30	80	130
		0.5(S)/5P10						100	160

注：如用户要求的参数与上列不同，可协商解决。

Note: If user's date is different from the above-mentioned scope ,they may be an negotiated settlement

外形尺寸图 (Overall dimensions)



注意事项 (Matters needing attention)

电流互感器的一次绕组有电流通过时，二次绕组不得开路，否则将有高电压产生，对人身安全和产品性能会有危险或影响。

重复工频耐压实验，应在规定的试验电压值的85%下进行。

A current transformer current passes through the two secondary winding, not open, otherwise there will be a high voltage generation, there will be danger or impact on personal safety and product performance.

Repeated power frequency withstand voltage test, should in the test voltage specified value 85%.

LFS-10型电流互感器

Type LFS-10 current transformers

型号及含义 (Model and meaning)



技术参数 (Technical data)

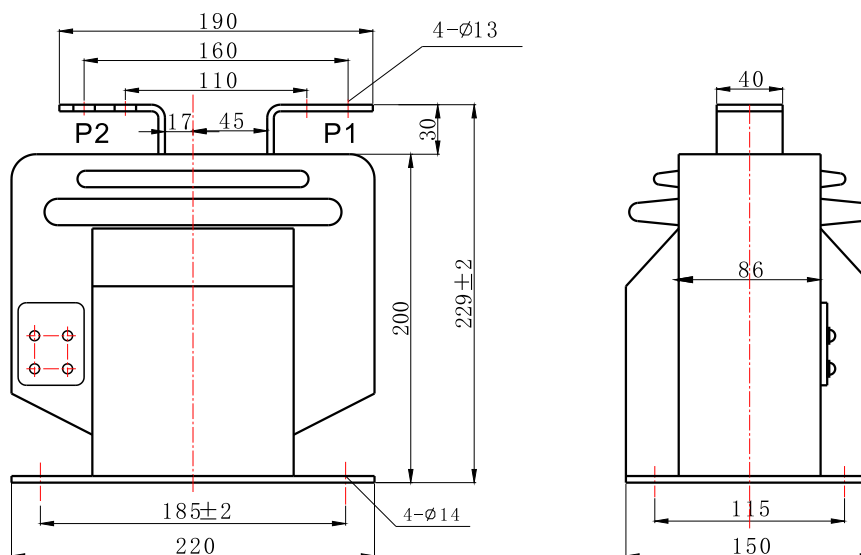
- 产品性能符合标准
GB20840.1 GB20840.2
IEC61869-1 IEC61869-2
 - 额定绝缘水平12/42/75 kV
 - 额定频率50Hz或60Hz
 - 额定二次电流5A或1A
 - 环境温度-25°C ~ 40°C
 - 海拔 海平面上1000m
 - 户内装置
- The voltage transformers are in accordance with
GB20840.1 GB20840.2
IEC61869-1 IEC61869-2 standards
 - Rated insulation level 12/42/75 kV
 - Rated frequency 50Hz or 60Hz
 - Rated secondary current 5A or 1A
 - Ambient temperature -25°C ~ 40°C
 - Altitude up to 1000m above sea level
 - Indoor device

额定电压 (kV) Rated voltage	型号 Type	额定一次电流 (A) Rated primary current	准确级组合 Accuracy classes combination	额定输出(VA) Rated output						短时热电 流(KA/s) Short-time thermal current	动稳定电流 (KA) Dynamic current
				0.2s	0.2	0.5s	0.5	10P10	10P15		
10	LFS-10	5-200	0.2/0.2	10	10	10	10	15	15	100I1n	250I1n
		300	0.5/0.5							21	50
		400	0.2/0.5							24	60
		600	0.2/10P10							30	70
		800	0.5/10P10							40	75
		1000								40	75

注：如用户要求的参数与上列不同，可协商解决。

Note: If user's data is different from the above-mentioned scope, they may be an negotiated settlement

外形尺寸图 (Overall dimensions)



注意事项 (Matters needing attention)

电流互感器的一次绕组有电流通过时，二次绕组不得开路，否则将有高电压产生，对人身安全和产品性能会有危险或影响。

重复工频耐压实验，应在规定的试验电压值的85%下进行。

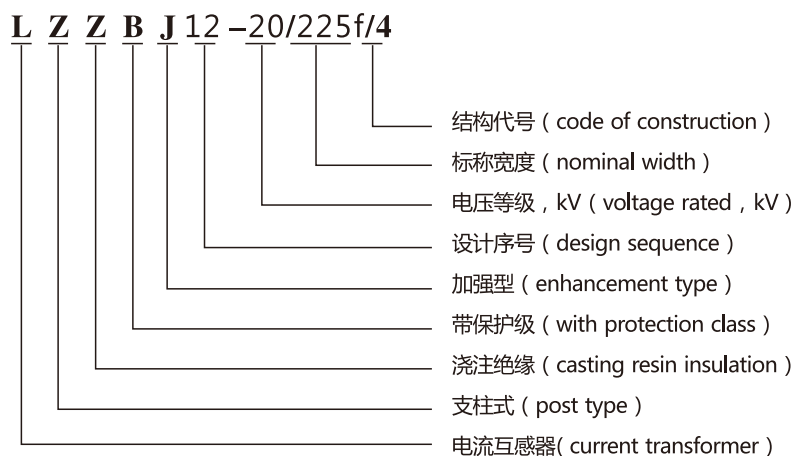
A current transformer current passes through the two secondary winding, not open, otherwise there will be a high voltage generation, there will be danger or impact on personal safety and product performance.

Repeated power frequency withstand voltage test, should in the test voltage specified value 85%.

LZZBJ12-20/225f/4(AG24/225f/4)型电流互感器

Type LZZBJ12-20/225f/4 (AG24/225f/4) current transformers

型号及含义 (Model and meaning)



技术参数 (Technical date)

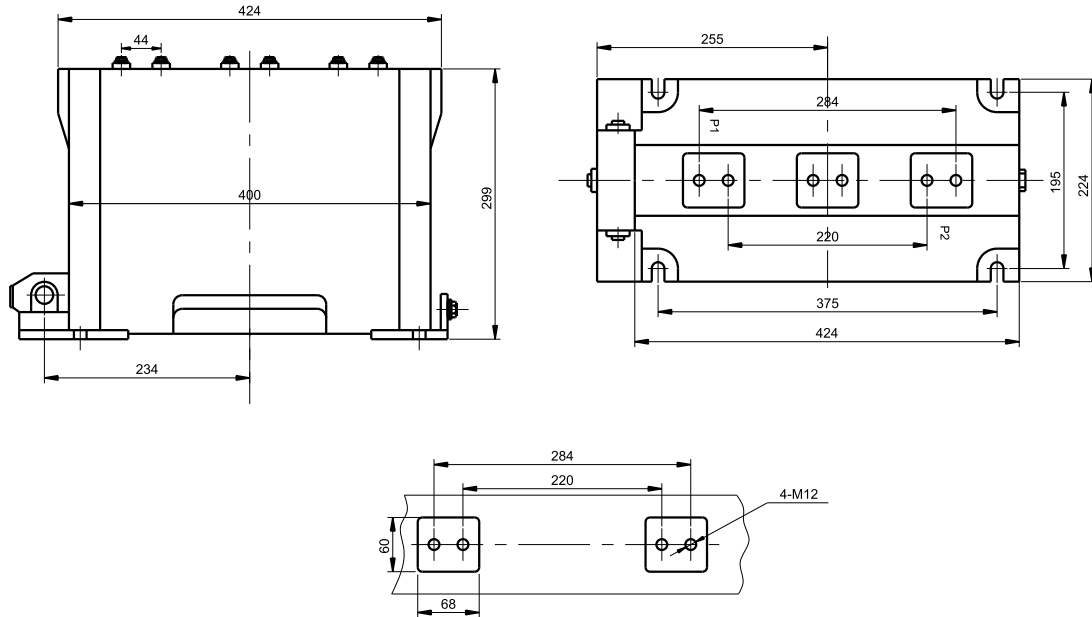
- 产品性能符合标准
GB20840.1 GB20840.2
IEC61869-1 IEC61869-2
- 额定绝缘水平12/42/75 kV
- 额定频率50Hz或60Hz
- 额定二次电流5A或1A
- 环境温度-25°C ~ 40°C
- 海拔 海平面上1000m
- 户内装置
- The voltage transformers are in accordance with
GB20840.1 GB20840.2
IEC61869-1 IEC61869-2 standards
- Rated insulation level 12/42/75 kV
- Rated frequency 50Hz or 60Hz
- Rated secondary current 5A or 1A
- Ambient temperature -25°C ~ 40°C
- Altitude up to 1000m above sea level
- Indoor device

额定电压 (kV) Rated voltage	额定一次电流 (A) Rated primary current	准确级组合 Accuracy classes combination		额定输出(VA) Rated output	短时热电流(KA/s) Short-time thermal current	动稳定电流(KA) Dynamic current
		测量绕组 (MW)	保护绕组 (PW)			
20	20,30,40,50,60,75, 100,150,200,250, 300,400,500,600, 800,1000,1250, 2*10~2*600	0.1,0.2 0.5,1.0 0.2S,0.5S	5P10, 5P15 5P20 10P10,10P15 10P20	10,15,20,25,30	7.5, 20, 25, 31.5 KA/2S 31.5 KA/3S, 40 kA /3s, 45 kA /3s, 50kA/3s, 63kA/3s	2.5Ith

注：如用户要求的参数与上列不同，可协商解决。

Note: If user's date is different from the above-mentioned scope, they may be an negotiated settlement

外形尺寸图 (Overall dimensions)



注意事项 (Matters needing attention)

电流互感器的一次绕组有电流通过时，二次绕组不得开路，否则将有高电压产生，对人身安全和产品性能会有危险或影响。

重复工频耐压实验，应在规定的试验电压值的85%下进行。

A current transformer current passes through the two secondary winding, not open, otherwise there will be a high voltage generation, there will be danger or impact on personal safety and product performance.

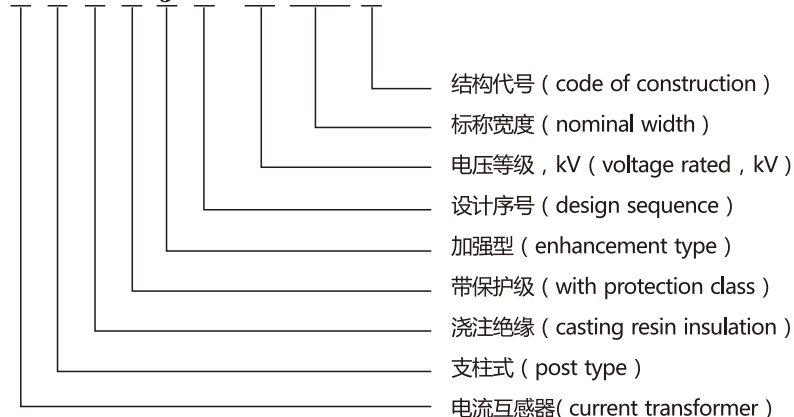
Repeated power frequency withstand voltage test, should in the test voltage specified value 85%.

LZZBJ12-20/185b/3(AS24/185b/3)型电流互感器

Type LZZBJ12-20/185b/3 (AS24/185b/3) current transformers

型号及含义 (Model and meaning)

L Z Z B J 12 -20/185b/3



技术参数 (Technical date)

■产品性能符合标准

GB20840.1 GB20840.2

IEC61869-1 IEC61869-2

■额定绝缘水平12/42/75 kV

■额定频率50Hz或60Hz

■额定二次电流5A或1A

■环境温度-25℃~40℃

■海拔 海平面上1000m

■户内装置

■The voltage transformers are in accordance with

GB20840.1 GB20840.2

IEC61869-1 IEC61869-2 standards

■Rated insulation level 12/42/75 kV

■Rated frequency 50Hz or 60Hz

■Rated secondary current 5A or 1A

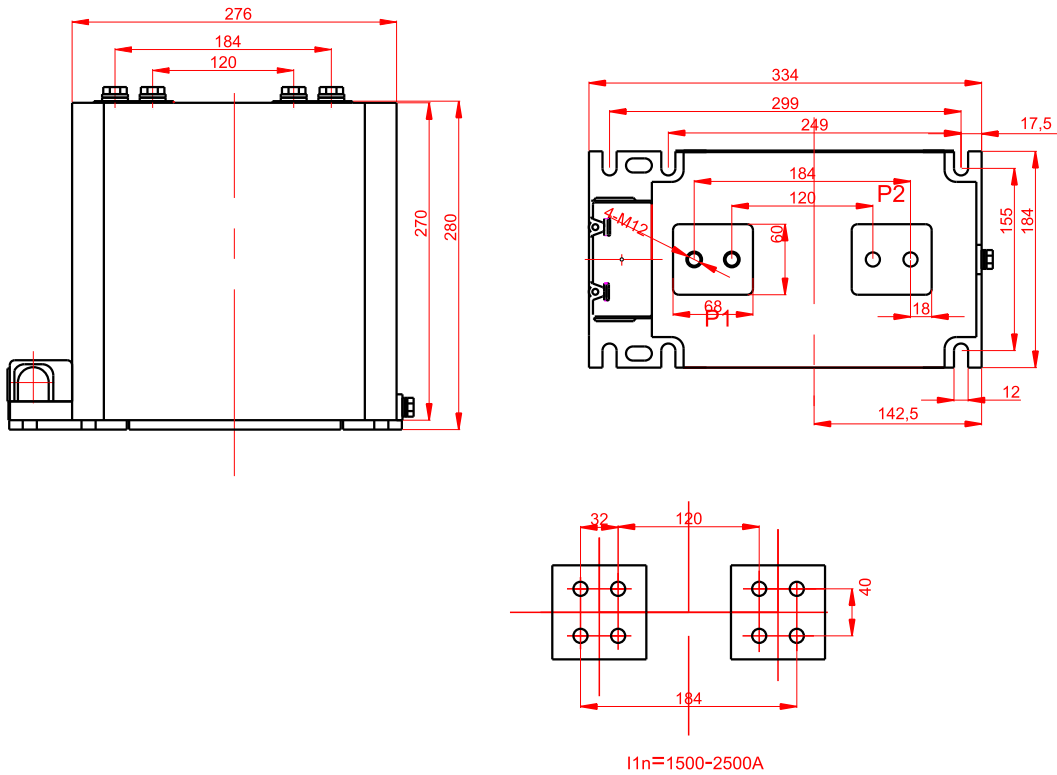
■Ambient temperature -25℃~40℃

■Altitude up to 1000m above sea level

■Indoor device

额定电压 (kV) Rated voltage	额定一次电流 (A) Rated primary current	准确级组合 Accuracy classes combination	额定输出(VA) Rated output					短时热电流(KA/s) Short-time thermal current	动稳定电流(KA) Dynamic current
			0.2s	0.2	0.5s	0.5	5P10		
20	20~40	0.2S/0.5	10	15	10	20	25	250I1n	650I1n
	50~100	0.2/0.5						300I1n	750I1n
	150~250	0.2S/5P10						40	100
	300~2500	0.5S/5P10						63	160
		0.2/5P10							
		0.5/5P10							
	100~200	0.2S/5P20						150I1n	375I1n
	300~500	0.5S/5P20						40	100
600~1000	0.2/5P20	80	200						
1250~25000	0.5/5P20	100	250						
	1250~25000	0.2/0.5/5P10	10	15	10	20	30		
	1250~25000	0.2S/5P20	10	15	10	20	30	100	250
	1250~25000	0.5S/5P20							
	1250~25000	0.2/5P20							
	1250~25000	0.5/5P20							

外形尺寸图 (Overall dimensions)



注意事项 (Matters needing attention)

电流互感器的一次绕组有电流通过时，二次绕组不得开路，否则将有高电压产生，对人身安全和产品性能会有危险或影响。

重复工频耐压实验，应在规定的试验电压值的85%下进行。

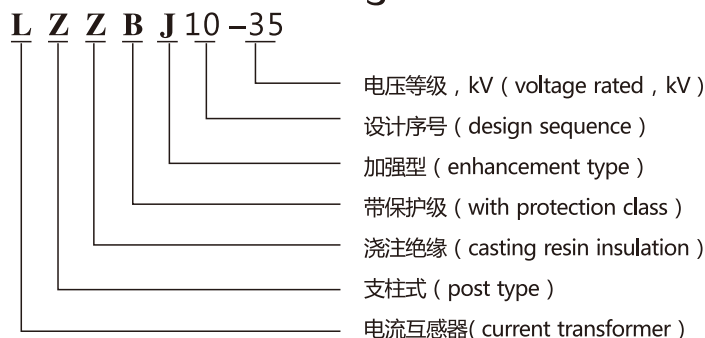
A current transformer current passes through the two secondary winding, not open, otherwise there will be a high voltage generation, there will be danger or impact on personal safety and product performance.

Repeated power frequency withstand voltage test, should in the test voltage specified value 85%.

LZZBJ10-35(AW36/250f/2W)型电流互感器

Type LZZBJ10-35 (AW36/250f/2W) current transformers

型号及含义 (Model and meaning)



技术参数 (Technical date)

- 产品性能符合标准
GB20840.1 GB20840.2
IEC61869-1 IEC61869-2
- 额定绝缘水平12/42/75 kV
- 额定频率50Hz或60Hz
- 额定二次电流5A或1A
- 环境温度-25°C ~ 40°C
- 海拔 海平面以上1000m
- 户内装置
- The voltage transformers are in accordance with
GB20840.1 GB20840.2
IEC61869-1 IEC61869-2 standards
- Rated insulation level 12/42/75 kV
- Rated frequency 50Hz or 60Hz
- Rated secondary current 5A or 1A
- Ambient temperature -25°C ~ 40°C
- Altitude up to 1000m above sea level
- Indoor device

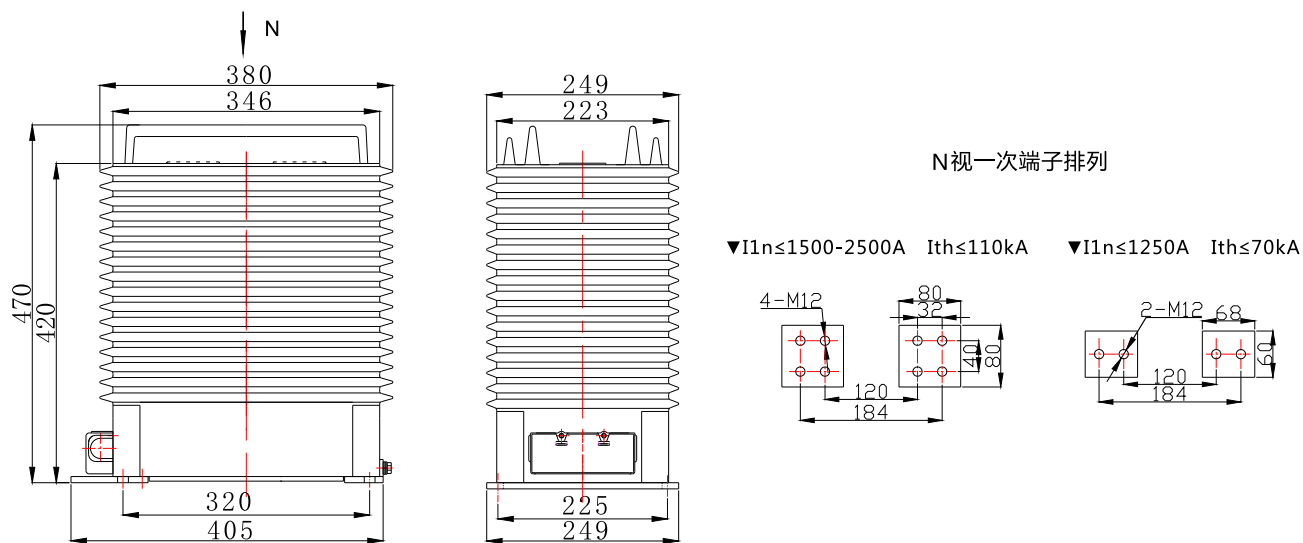
额定电压 (kV) Rated voltage	额定一次电流 (A) Rated primary current	准确级组合 Accuracy classes combination	额定输出(VA) Rated output	短时热电流(KA/s) Short-time thermal current	动稳定电流(KA) Dynamic current
35	10	0.2S/0.5	10/15	6	15
		0.5/5P10	15/15		
	20,25, 30,40	0.2S/5P20	10/15	250I1n	625I1n
		0.5S/5P20			
		0.2/5P20	15/15		
		0.5/5P20			
		0.2/0.5/5P10	15/15/15		
	50,75,100	0.2S/5P20	10/15	300I1n	750I1n
		0.5S/5P20			
		0.2S/5P20	15/15		
		0.5/5P20			
		0.2/0.5/5P10	15/15/15		
	100,150,200,250	0.2S/5P10/5P20	10/20/20	150I1n	375I1n
		0.5S/5P10/5P20			
		0.2/5P10/5P20	15/20/20		
		0.5/5P10/5P20			
	300,400,500	0.2S/5P10/5P20	10/20/20	40	100
		0.5S/5P10/5P20			
		0.2/5P10/5P20	15/20/20		
		0.5/5P10/5P20			

额定电压 (kV) Rated voltage	额定一次电流 (A) Rated primary current	准确级组合 Accuracy classes combination	额定输出(VA) Rated output	短时热电流(KA/s) Short-time thermal current	动稳定电流(KA) Dynamic current
35	600,750,800	0.2S/5P20	10/15	64	160
		0.5S/5P20			
		0.2/5P20	15/15		
		0.5/5P20			
	600,750,800,1000, 12500,1500,2000, 2500	0.2/0.5/5P10	15/15/15		
		0.2S/5P10/5P20	10/20/20		
		0.5S/5P10/5P20			
		0.2/5P10/5P20	15/20/20		
	1000,1250,1500, 2000,2500	0.2S/5P20	10/15		
		0.5S/5P20			
		0.2/5P20	15/15		
		0.5/5P20			
	1000,1250,1500, 2000,2500	0.2S/5P10/5P20	10/30/30		
		0.5S/5P10/5P20			
		0.2/5P10/5P20	15/30/30		
		0.5/5P10/5P20			
		0.2/0.5/5P10/5P20	15/15/30/30		

注：如用户要求的参数与上列不同，可协商解决。

Note: If user's date is different from the above-mentioned scope, they may be an negotiated settlement

外形尺寸图 (Overall dimensions)



注意事项 (Matters needing attention)

电流互感器的一次绕组有电流通过时，二次绕组不得开路，否则将有高电压产生，对人身安全和产品性能会有危险或影响。

重复工频耐压实验，应在规定的试验电压值的85%下进行。

A current transformer current passes through the two secondary winding, not open, otherwise there will be a high voltage generation, there will be danger or impact on personal safety and product performance.

Repeated power frequency withstand voltage test, should in the test voltage specified value 85%.

LCZ-35型电流互感器 Type LCZ-35 current transformers

型号及含义 (Model and meaning)



技术参数 (Technical date)

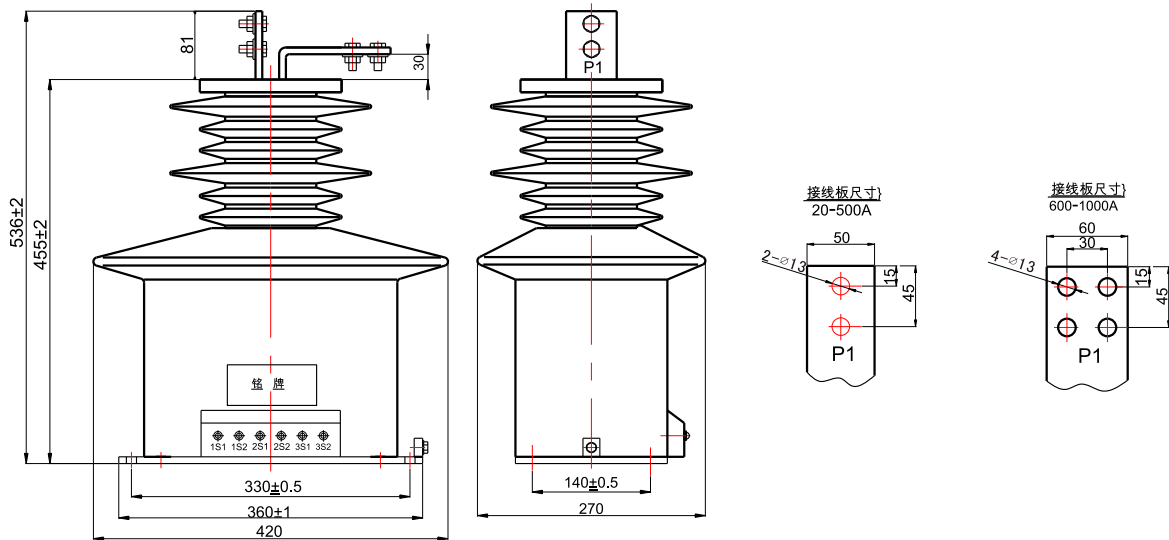
- 产品性能符合标准
 GB20840.1 GB20840.2
 IEC61869-1 IEC61869-2
- The voltage transformers are in accordance with
 GB20840.1 GB20840.2
 IEC61869-1 IEC61869-2 standards
- 额定绝缘水平12/42/75 kV
- Rated insulation level 12/42/75 kV
- 额定频率50Hz或60Hz
- Rated frequency 50Hz or 60Hz
- 额定二次电流5A或1A
- Rated secondary current 5A or 1A
- 环境温度-25℃~40℃
- Ambient temperature -25℃~40℃
- 海拔 海平面上1000m
- Altitude up to 1000m above sea level
- 户内装置
- Indoor device

额定电压 (kV) Rated voltage	额定一次电流 (A) Rated primary current	准确级组合 Accuracy classes combination	额定输出(VA) Rated output	短时热电流(KA/s) Short-time thermal current	动稳定电流(KA) Dynamic current
35	20~150	0.2/0.2	30/30	65I1n	162.5I1n
	200	0.2/0.5	30/50	13	32.5
	300	0.2/10P25	30/20	19.5	48.7
	400~500	0.5/10P25	50/20	26	65
	600	0.5/3	50/50	39	97.5
	800	0.2/3	30/50	52	130
	1000	10P25/10P25	20/20	65	162.5

注：如用户要求的参数与上列不同，可协商解决。

Note: If user's date is different from the above-mentioned scope ,they may be an negotiated settlement

外形尺寸图 (Overall dimensions)



注意事项 (Matters needing attention)

电流互感器的一次绕组有电流通过时，二次绕组不得开路，否则将有高电压产生，对人身安全和产品性能会有危险或影响。

重复工频耐压实验，应在规定的试验电压值的85%下进行。

A current transformer current passes through the two secondary winding, not open, otherwise there will be a high voltage generation, there will be danger or impact on personal safety and product performance.

Repeated power frequency withstand voltage test, should in the test voltage specified value 85%.