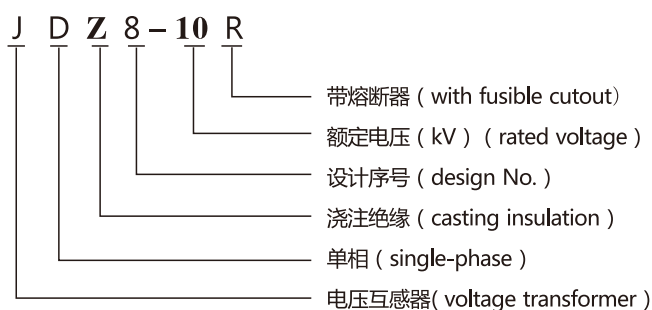


## JDZ8-10R型电压互感器 Type JDZ8-10R voltage transformers

### 型号及含义 (Model and meaning)



### 技术参数 ( Technical date )

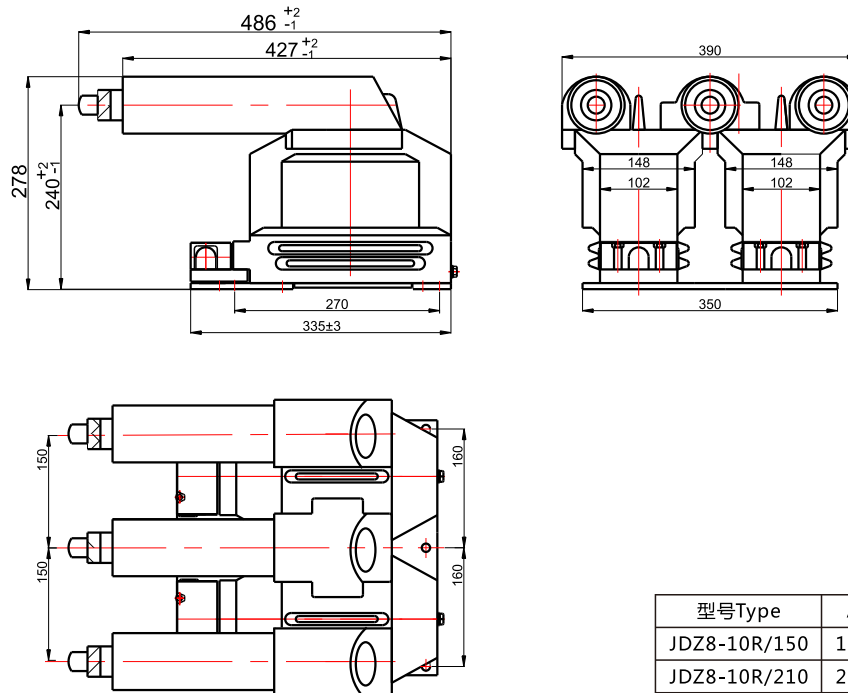
- 产品性能符合标准  
GB20840.1 GB20840.3  
IEC61869-1 IEC61869-3
- 额定频率50Hz或60Hz
- 环境温度-25℃ ~ 40℃
- 海拔 海平面上1000m
- 户内装置
- The voltage transformers are in accordance with  
GB20840.1 GB20840.3  
IEC61869-1 IEC61869-3 standards
- Rated frequency 50Hz or 60Hz
- Ambient temperature -25℃ ~ 40℃
- Altitude up to 1000m above sea level
- Indoor device

型号 Type	额定电压比 ( kV ) Rated transformation ratio	准确级组合 Accuracy classes combination	额定输出(VA) Rated output				额定绝缘水平(VA) Rated insulated	热极限输出 (VA) Limiting therma output
			0.2	0.5	1.0	3		
JDZ8-3R	3/0.1	0.2, 0.5, 1, 3	25	50	150	300	3.6/25/40	350
	3/0.11							
	3.3/0.1							
JDZ8-6R	6/0.1	0.2	25	75	150	300	7.2/32/60	350
	6.3/0.1	0.5						
	6.6/0.1	1						
	6.6/0.11	3						
	6/0.1/0.1	0.2/0.5,0.2/0.2						20
JDZ8-10R	10/0.1	0.2, 0.5, 1, 3	30	50	150	300	12/42/75	350
	10.5/0.1							
	11/0.11							
	10/0.1/0.1	0.2/0.5,0.2/0.2	20	30	50		600	

注：如用户要求的参数与上列不同，可协商解决。

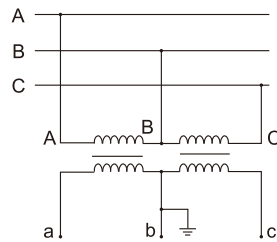
Note: If user's date is different from the above-mentioned scope ,they may be an negotiated settlement

## 外形尺寸图 (Overall dimensions)



型号Type	A	B	C	D
JDZ8-10R/150	150	160	390	350
JDZ8-10R/210	210	220	510	470
JDZ8-10R/275	275	285	640	600

## 接线图 (Wiring diagram)



## 注意事项 (Matters needing attention)

电压互感器二次绕组不得短路, 否则互感器将被烧毁。

重复工频耐压实验, 应在规定的试验电压值的85%下进行。

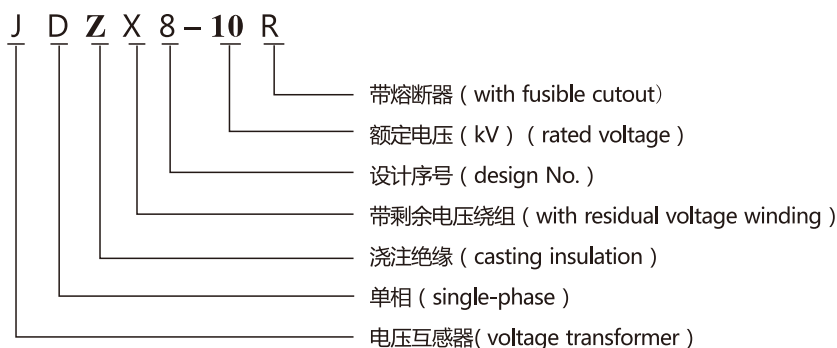
Voltage transformer secondary winding short circuit two shall not, otherwise the transformer will be burned.

Repeated power frequency withstand voltage test, should in the test voltage specified value 85%.

## JDZX8-10R 型电压互感器

### Type JDZX8-10R voltage transformers

#### 型号及含义 (Model and meaning)



#### 技术参数 (Technical date)

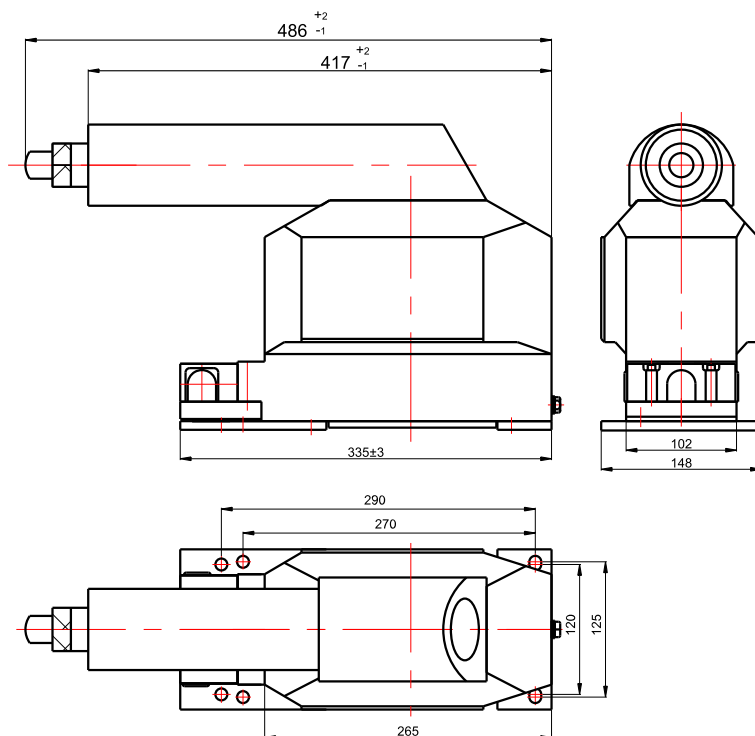
- 产品性能符合标准  
GB20840.1 GB20840.3  
IEC61869-1 IEC61869-3
- 额定绝缘水平12/42/75 kV
- 额定频率50Hz或60Hz
- 环境温度-25°C ~ 40°C
- 海拔 海平面上1000m
- 户内装置
- The voltage transformers are in accordance with  
GB20840.1 GB20840.3  
IEC61869-1 IEC61869-3 standards
- Rated insulation level 12/42/75 kV
- Rated frequency 50Hz or 60Hz
- Ambient temperature -25°C ~ 40°C
- Altitude up to 1000m above sea level
- Indoor device

额定电压比 ( kV ) Rated transformation ratio	准确级组合 Accuracy classes combination	额定输出(VA) Rated output				热极限输出 (VA) Limiting thermal output
		0.2	0.5	1.0	6P	
10/√3/0.1/√3/0.1/3	0.2/6P,0.5/6P, 1.0/6P	30	100, 90	200, 180	50	600
10/√3/0.1/√3/0.1/√3/0.1/3	0.2/0.5/3P(6P)	20	30	50		

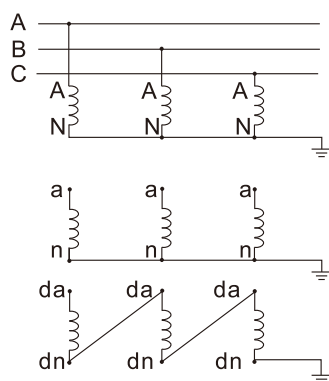
注：如用户要求的参数与上列不同，可协商解决。

Note: If user's data is different from the above-mentioned scope, they may be an negotiated settlement

## 外形尺寸图 (Overall dimensions)



## 接线图 (Wiring diagram)



## 注意事项 (Matters needing attention)

电压互感器二次绕组不得短路,否则互感器将被烧毁。

重复工频耐压实验,应在规定的试验电压值的85%下进行。

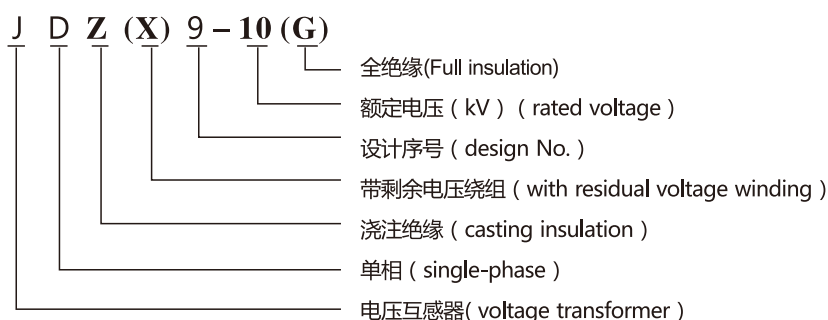
Voltage transformer secondary winding short circuit two shall not, otherwise the transformer will be burned.

Repeated power frequency withstand voltage test, should in the test voltage specified value 85%.

## JDZ(X)9-3,6,10(G) (UNZ10) 型电压互感器

### Type JDZ(X)9-3,6,10(G) (UNZ10) voltage transformers

#### 型号及含义 (Model and meaning)



#### 技术参数 (Technical date)

- 产品性能符合标准  
 GB20840.1 GB20840.3  
 IEC61869-1 IEC61869-3
- The voltage transformers are in accordance with  
 GB20840.1 GB20840.3  
 IEC61869-1 IEC61869-3 standards
- 额定频率50Hz或60Hz
- Rated frequency 50Hz or 60Hz
- 环境温度-25℃~40℃
- Ambient temperature -25℃~40℃
- 海拔 海平面上1000m
- Altitude up to 1000m above sea level
- 户内装置
- Indoor device

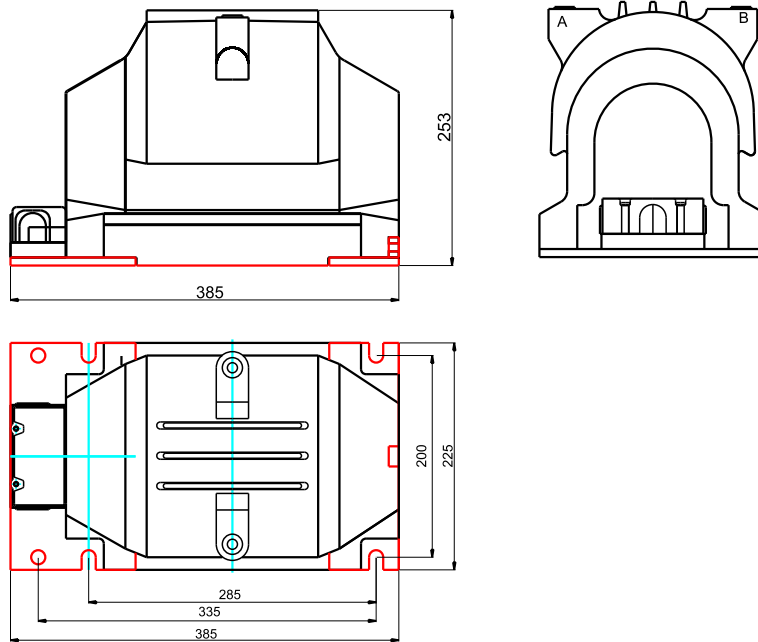
型号 Type	额定电压比 (kV) Rated transformation ratio	准确级组合 Accuracy classes combination	额定输出 Rated output(VA)	额定绝缘水平(VA) Rated insulated	热极限输出 (VA) Limiting therma output
JDZ9-3	3/0.1	0.2, 0.5, 1.0	50, 100, 200	3.6/25/40	500
JDZ9-6	6/0.1			7.2/32/60	
JDZ9-10	10/0.1			12/42/75	
JDZ9-3	3/0.1/0.1	0.2/0.2	30/30	3.6/25/40	300
JDZ9-6	6/0.1/0.1	0.2/0.5	30/50	7.2/32/60	
JDZ9-10	10/0.1/0.1	0.5/0.5	50/50	12/42/75	
JDZX9-3G	3/√3/0.1√3/0.1/3	0.2/6P(3P)	30/100	3.6/25/40	500
JDZX9-6G	6/√3/0.1√3/0.1/3	0.5/6P(3P)	50/100	7.2/32/60	
JDZX9-10G	10/√3/0.1√3/0.1/3			12/42/75	

注：如用户要求的参数与上列不同，可协商解决。

Note: If user's date is different from the above-mentioned scope ,they may be an negotiated settlement

## 外形尺寸图 (Overall dimensions)

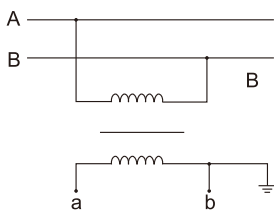
JDZX9-3、6、10G  
JDZ9-3、6、10



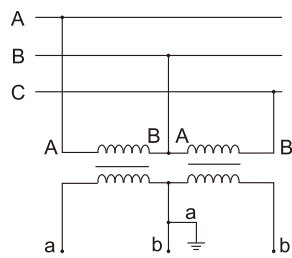
## 接线图 (Wiring diagram)

JDZ9-10

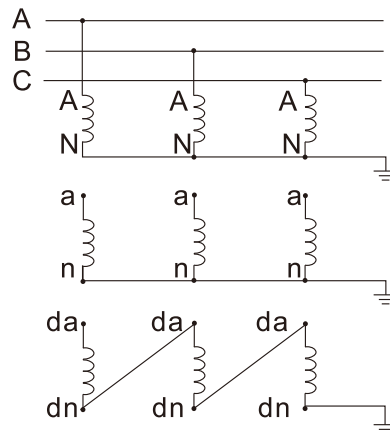
单相线路接线图



三相线路接线图



JDZ9-10G



## 注意事项 (Matters needing attention)

电压互感器二次绕组不得短路,否则互感器将被烧毁。

重复工频耐压实验,应在规定的试验电压值的85%下进行。

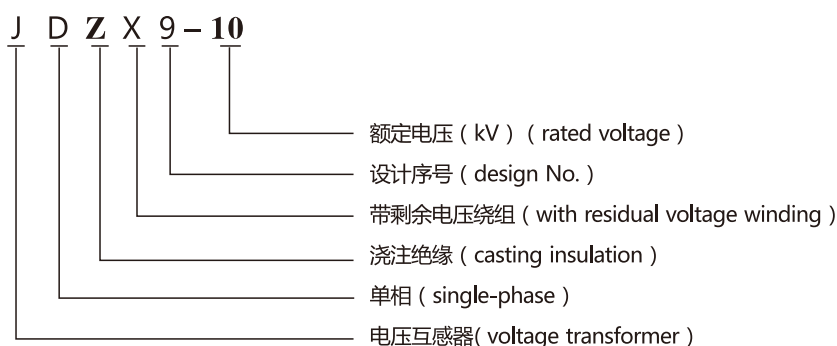
Voltage transformer secondary winding short circuit two shall not, otherwise the transformer will be burned.

Repeated power frequency withstand voltage test, should in the test voltage specified value 85%.

## JDZX9-10(UNE10) 型电压互感器

### Type JDZX9-10(UNE10) voltage transformers

#### 型号及含义 (Model and meaning)



#### 技术参数 (Technical data)

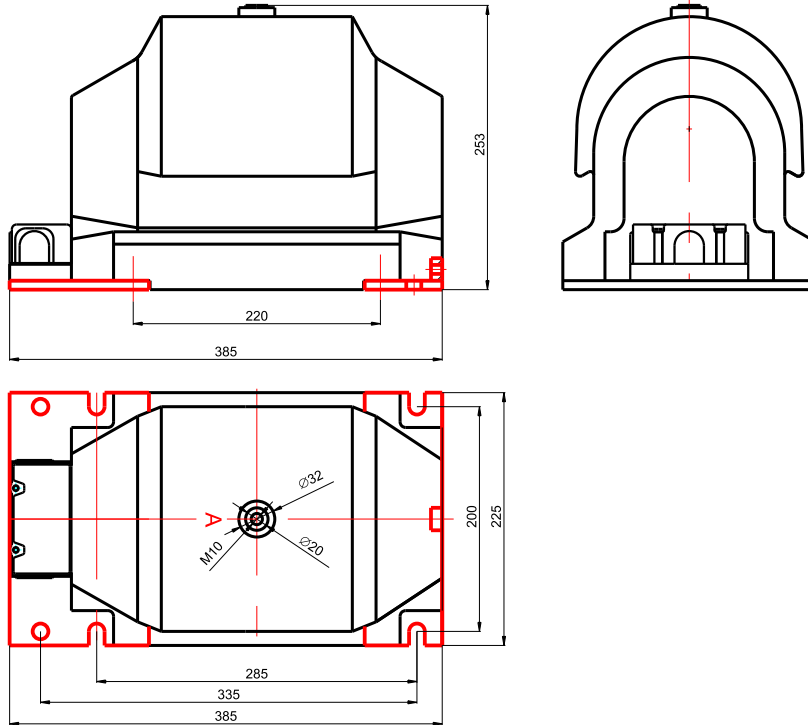
- 产品性能符合标准  
 GB20840.1 GB20840.3  
 IEC61869-1 IEC61869-3
- The voltage transformers are in accordance with  
 GB20840.1 GB20840.3  
 IEC61869-1 IEC61869-3 standards
- 额定绝缘水平12/42/75 kV
- Rated insulation level 12/42/75 kV
- 额定频率50Hz或60Hz
- Rated frequency 50Hz or 60Hz
- 环境温度-25℃~40℃
- Ambient temperature -25℃~40℃
- 海拔 海平面上1000m
- Altitude up to 1000m above sea level
- 户内装置
- Indoor device

额定电压比 (kV) Rated transformation ratio	准确级组合 Accuracy classes combination	额定输出(VA) Rated output				热极限输出 (VA) Limiting thermal output
		0.2	0.5	1.0	6P	
10/√3/0.1√3/0.1/3	0.2/6P,0.5/6P, 1.0/6P	50	75,100	200,200	100	600
10/√3/0.1/√3/0.1/√3/0.1/3	0.2/0.5/3P(6P)	30	50	75		

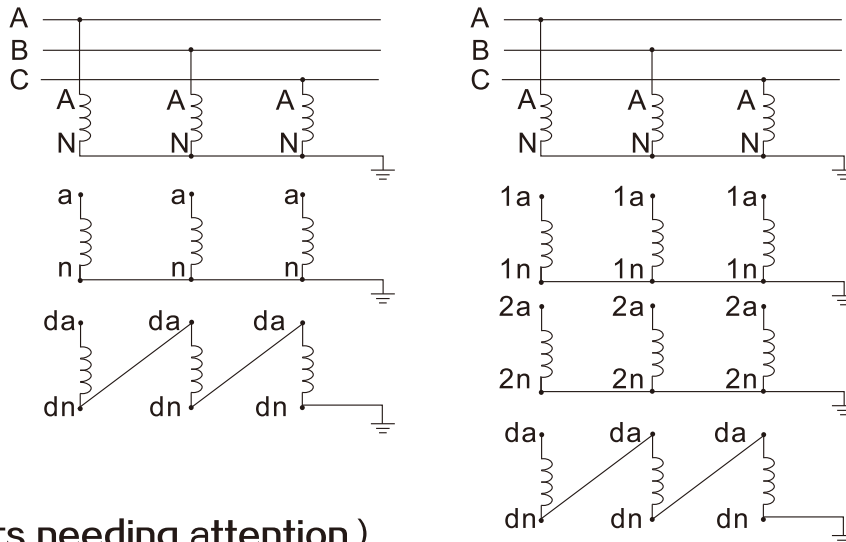
注：如用户要求的参数与上列不同，可协商解决。

Note: If user's data is different from the above-mentioned scope, they may be a negotiated settlement

### 外形尺寸图 (Overall dimensions)



### 接线图 (Wiring diagram)



### 注意事项 (Matters needing attention)

电压互感器二次绕组不得短路, 否则互感器将被烧毁。  
 重复工频耐压实验, 应在规定的试验电压值的85%下进行。

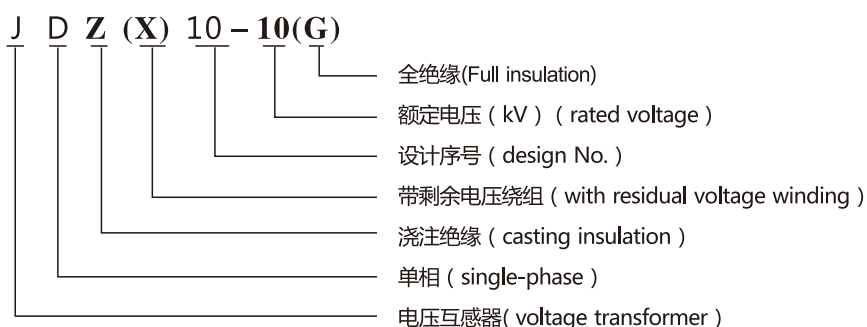
Voltage transformer secondary winding short circuit two shall not, otherwise the transformer will be burned.

Repeated power frequency withstand voltage test, should in the test voltage specified value 85%.



## JDZ(X)10-3,6,10(G)(RZL10)型电压互感器 Type JDZ(X)10-3,6,10(G)(RZL10) voltage transformers

### 型号及含义 (Model and meaning)



### 技术参数 ( Technical date )

- 产品性能符合标准  
GB20840.1 GB20840.3  
IEC61869-1 IEC61869-3
- 额定频率50Hz或60Hz
- 环境温度-25°C ~ 40°C
- 海拔 海平面上1000m
- 户内装置
- The voltage transformers are in accordance with  
GB20840.1 GB20840.3  
IEC61869-1 IEC61869-3 standards
- Rated frequency 50Hz or 60Hz
- Ambient temperature -25°C ~ 40°C
- Altitude up to 1000m above sea level
- Indoor device

型号 Type	额定电压比 ( kV ) Rated transformation ratio	准确级组合 Accuracy classes combination	额定输出(VA) Rated output				额定绝缘水平(VA) Rated insulated	热极限输出 (VA) Limiting thermal output
			0.2	0.5	1.0	3P		
JDZ10-3	3/0.1	0.2, 0.5, 1, 3	15	30	75		3.6/25/40	400
JDZ10-6	6/0.1						7.2/32/60	
JDZ10-10	10/0.1						12/42/75	
JDZX10-3G	3/√3/0.1√3/0.1/3	0.2(0.5)/3P(6P)	30	60	90	50	3.6/25/40	400
JDZX10-6G	6/√3/0.1√3/0.1/3						7.2/32/60	
JDZX10-10G	10/√3/0.1√3/0.1/3						12/42/75	

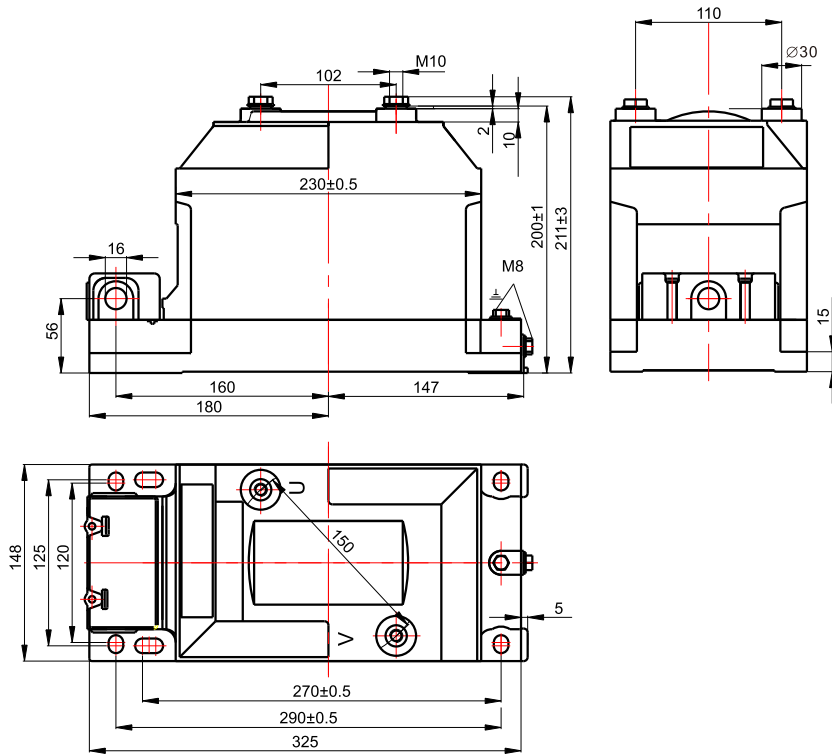
注：如用户要求的参数与上列不同，可协商解决。

Note: If user's data is different from the above-mentioned scope, they may be an negotiated settlement

## 外形尺寸图 (Overall dimensions)

JDZX10-3、6、10G

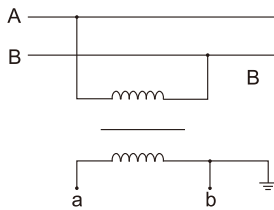
JDZ10-3、6、10



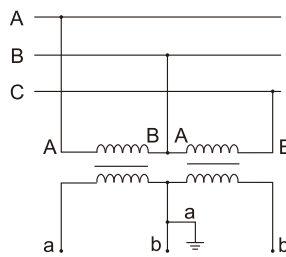
## 接线图 (Wiring diagram)

JDZ10-10

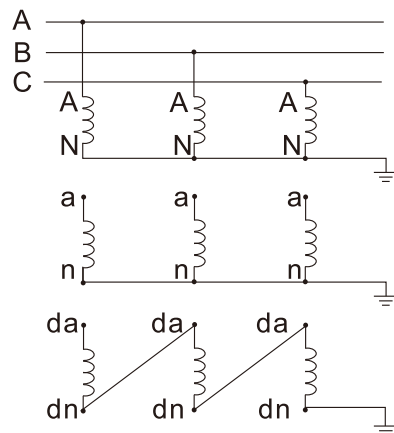
单相线路接线图



三相线路接线图



JDZX10-10G



## 注意事项 (Matters needing attention)

电压互感器二次绕组不得短路,否则互感器将被烧毁。

重复工频耐压实验,应在规定的试验电压值的85%下进行。

Voltage transformer secondary winding short circuit two shall not, otherwise the transformer will be burned.

Repeated power frequency withstand voltage test, should in the test voltage specified value 85%.

## JDZX10-3,6,10(REL10) 型电压互感器 Type JDZX10-3,6,10(REL10) voltage transformers

### 型号及含义 (Model and meaning)



### 技术参数 (Technical date)

- 产品性能符合标准  
GB20840.1 GB20840.3  
IEC61869-1 IEC61869-3
- 额定频率50Hz或60Hz
- 环境温度-25°C ~ 40°C
- 海拔 海平面上1000m
- 户内装置
- The voltage transformers are in accordance with  
GB20840.1 GB20840.3  
IEC61869-1 IEC61869-3 standards
- Rated frequency 50Hz or 60Hz
- Ambient temperature -25°C ~ 40°C
- Altitude up to 1000m above sea level
- Indoor device

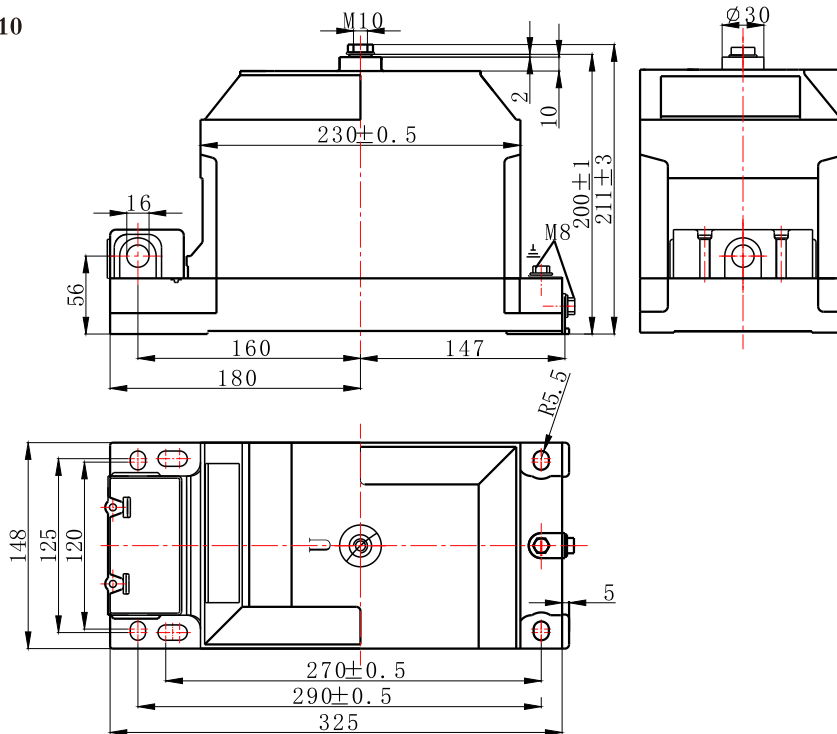
型号 Type	额定电压比 (kV) Rated transformation ratio	准确级组合 Accuracy classes combination	额定输出(VA) Rated output				额定绝缘水平(VA) Rated insulated	热极限输出 (VA) Limiting thermal output
			0.2	0.5	1.0	3P		
JDZX10-3G	3/√3/0.1√3/0.1/3	0.2(0.5)/3P(6P)	15	30	60	50	3.6/25/40	400
JDZX10-6G	6/√3/0.1√3/0.1/3						7.2/32/60	
JDZX10-10G	10/√3/0.1√3/0.1/3						12/42/75	

注：如用户要求的参数与上列不同，可协商解决。

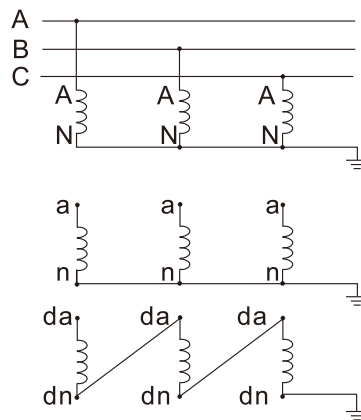
Note: If user's date is different from the above-mentioned scope, they may be an negotiated settlement

## 外形尺寸图 (Overall dimensions)

JDZX10-3、6、10



## 接线图 (Wiring diagram)



## 注意事项 (Matters needing attention)

电压互感器二次绕组不得短路, 否则互感器将被烧毁。

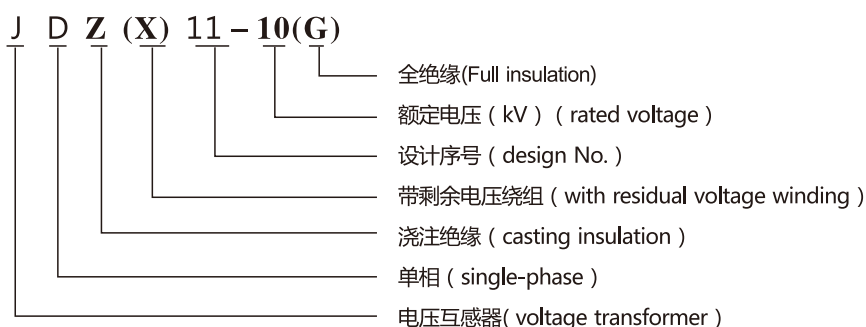
重复工频耐压实验, 应在规定的试验电压值的85%下进行。

Voltage transformer secondary winding short circuit two shall not, otherwise the transformer will be burned.

Repeated power frequency withstand voltage test, should in the test voltage specified value 85%.

## JDZ(X)11-3,6,10(G)型电压互感器 Type JDZ(X)11-3,6,10(G) voltage transformers

### 型号及含义 (Model and meaning)



### 技术参数 (Technical date)

- 产品性能符合标准  
GB20840.1 GB20840.3  
IEC61869-1 IEC61869-3
- The voltage transformers are in accordance with  
GB20840.1 GB20840.3  
IEC61869-1 IEC61869-3 standards
- 额定频率50Hz或60Hz
- Rated frequency 50Hz or 60Hz
- 环境温度-25°C ~ 40°C
- Ambient temperature -25°C ~ 40°C
- 海拔 海平面上1000m
- Altitude up to 1000m above sea level
- 户内装置
- Indoor device

型号 Type	额定电压比 (kV) Rated transformation ratio	准确级组合 Accuracy classes combination	额定输出(VA) Rated output				额定绝缘水平(VA) Rated insulated	热极限输出 (VA) Limiting thermal output
			0.2	0.5	1.0	3P		
JDZ11-3	3/0.1	0.2, 0.5, 1, 3	30	75	150		400	
JDZ11-6	6/0.1							
JDZ11-10	10/0.1							
JDZX11-3G	3/√3/0.1√3/0.1/3	0.2(0.5)/3P(6P)	15	30	50	50	400	
JDZX11-6G	6/√3/0.1√3/0.1/3							
JDZX11-10G	10/√3/0.1√3/0.1/3							

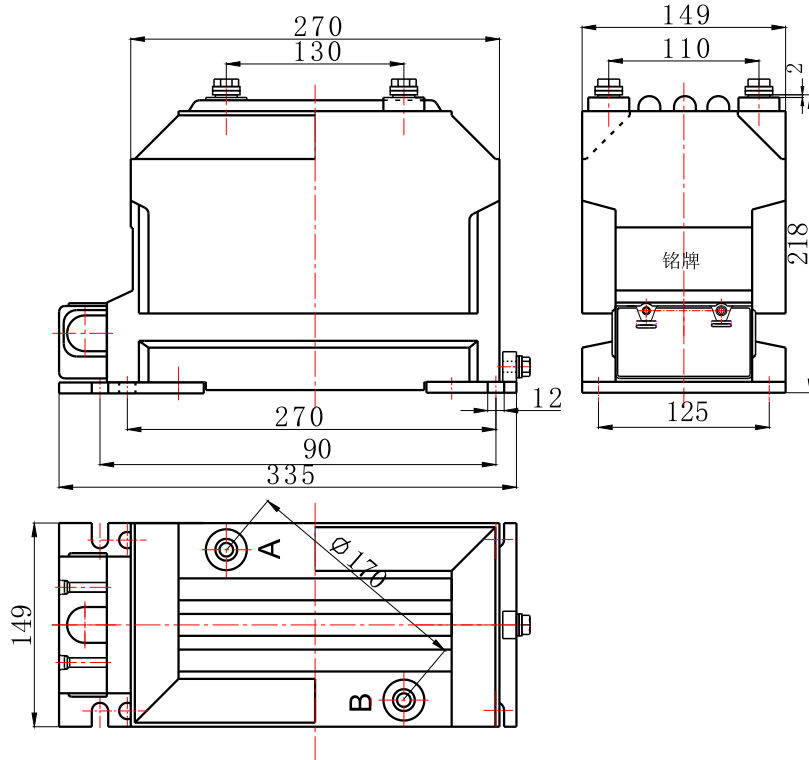
注：如用户要求的参数与上列不同，可协商解决。

Note: If user's data is different from the above-mentioned scope, they may be an negotiated settlement

## 外形尺寸图 (Overall dimensions)

JDZX11-3、6、10G

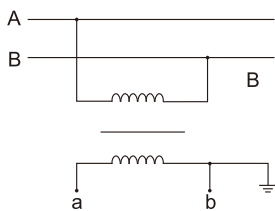
JDZ11-3、6、10



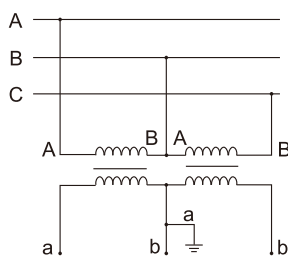
## 接线图 (Wiring diagram)

JDZ11-10

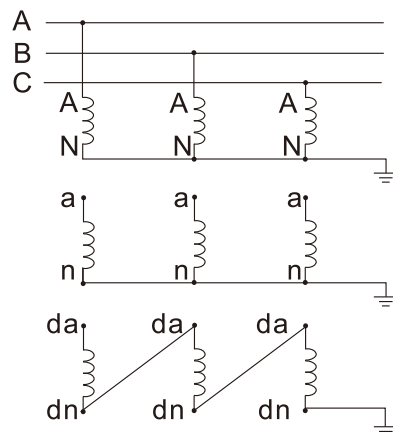
单相线路接线图



三相线路接线图



JDZX11-10G



## 注意事项 (Matters needing attention)

电压互感器二次绕组不得短路, 否则互感器将被烧毁。

重复工频耐压实验, 应在规定的试验电压值的85%下进行。

Voltage transformer secondary winding short circuit two shall not, otherwise the transformer will be burned.

Repeated power frequency withstand voltage test, should in the test voltage specified value 85%.

## JDZX11-3,6,10 型电压互感器

### Type JDZX11-3,6,10 voltage transformers

#### 型号及含义 (Model and meaning)



#### 技术参数 (Technical date)

- 产品性能符合标准  
 GB20840.1 GB20840.3  
 IEC61869-1 IEC61869-3
- The voltage transformers are in accordance with  
 GB20840.1 GB20840.3  
 IEC61869-1 IEC61869-3 standards
- 额定频率50Hz或60Hz
- Rated frequency 50Hz or 60Hz
- 环境温度-25°C ~ 40°C
- Ambient temperature -25°C ~ 40°C
- 海拔 海平面上1000m
- Altitude up to 1000m above sea level
- 户内装置
- Indoor device

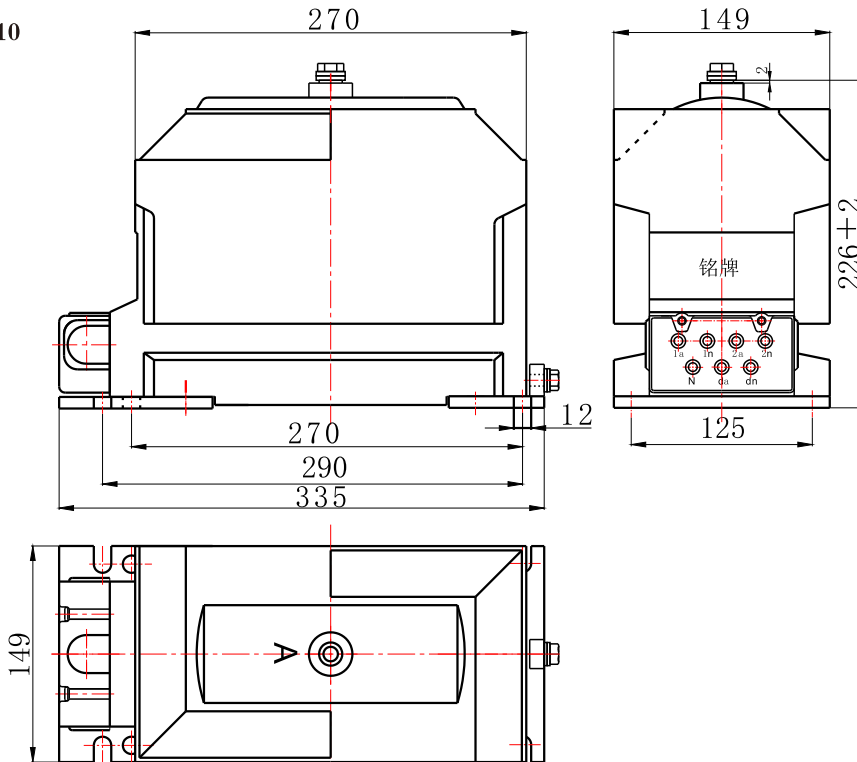
型号 Type	额定电压比 (kV) Rated transformation ratio	准确级组合 Accuracy classes combination	额定输出(VA) Rated output				额定绝缘水平(VA) Rated insulated	热极限输出 (VA) Limiting therma output
			0.2	0.5	1.0	3P		
JDZX11-3G	3/√3/0.1√3/0.1/3	0.2(0.5)/3P(6P)	30	90	180	50	3.6/25/40	400
JDZX11-6G	6/√3/0.1√3/0.1/3						7.2/32/60	
JDZX11-10G	10/√3/0.1√3/0.1/3	0.2/0.5/3P(6P)	20	30	50	50	12/42/75	

注：如用户要求的参数与上列不同，可协商解决。

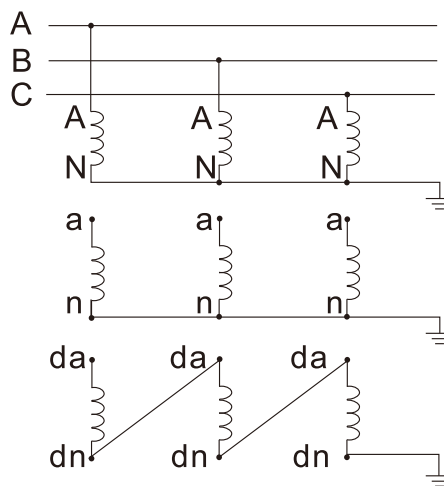
Note: If user's date is different from the above-mentioned scope ,they may be an negotiated settlement

## 外形尺寸图 (Overall dimensions)

JDZX11-3、6、10



## 接线图 (Wiring diagram)



## 注意事项 (Matters needing attention)

电压互感器二次绕组不得短路, 否则互感器将被烧毁。

重复工频耐压实验, 应在规定的试验电压值的85%下进行。

Voltage transformer secondary winding short circuit two shall not, otherwise the transformer will be burned.

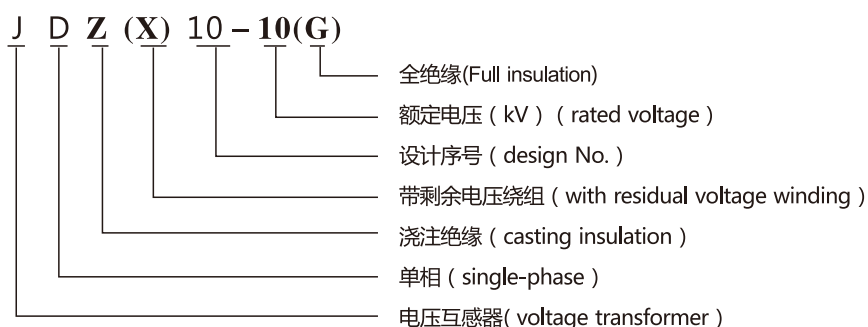
Repeated power frequency withstand voltage test, should in the test voltage specified value 85%.



## JDZ(X)16-10(G) 型电压互感器

### Type JDZ(X)16-10(G) voltage transformers

#### 型号及含义 (Model and meaning)



#### 技术参数 ( Technical date )

- 产品性能符合标准  
GB20840.1 GB20840.3  
IEC61869-1 IEC61869-3
- 额定绝缘水平12/42/75 kV
- 额定频率50Hz或60Hz
- 环境温度-25°C ~ 40°C
- 海拔 海平面上1000m
- 户内装置
- The voltage transformers are in accordance with  
GB20840.1 GB20840.3  
IEC61869-1 IEC61869-3 standards
- Rated insulation level 12/42/75 kV
- Rated frequency 50Hz or 60Hz
- Ambient temperature -25°C ~ 40°C
- Altitude up to 1000m above sea level
- Indoor device

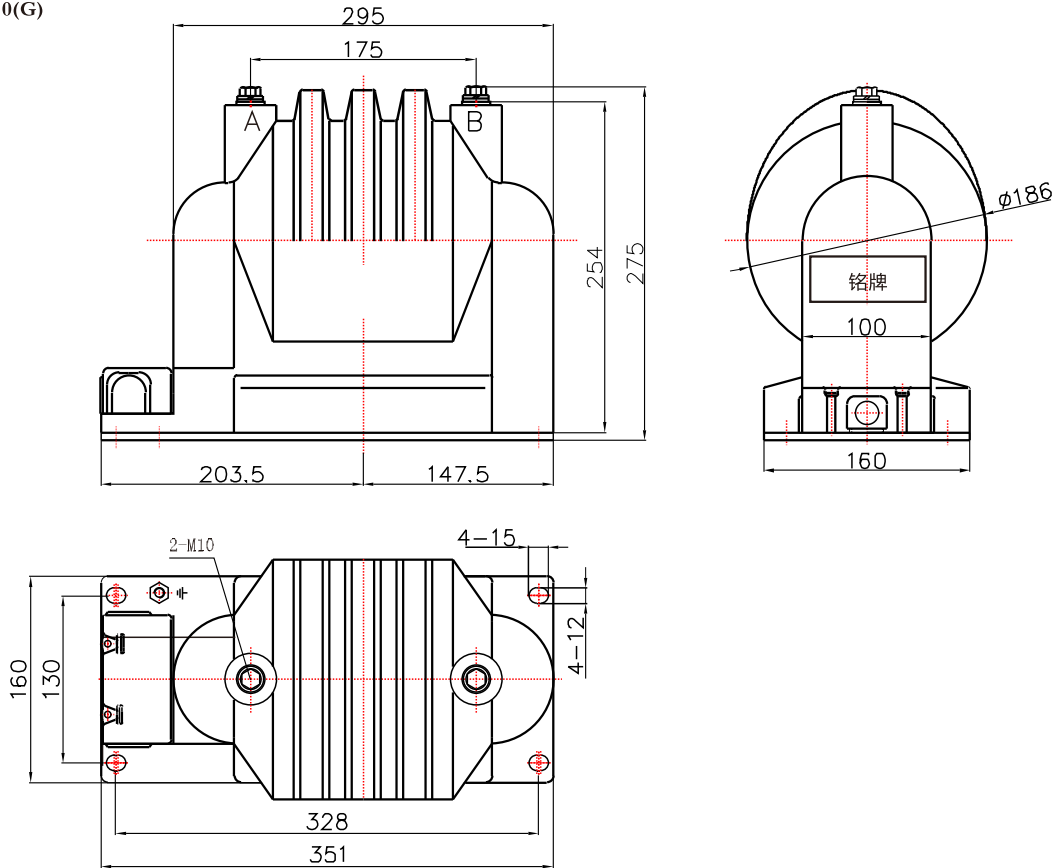
型号 Type	额定电压比 ( kV ) Rated transformation ratio	准确级组合 Accuracy classes combination	额定输出(VA) Rated output	热极限输出 (VA) Limiting thermal output
JDZ16-10	10/0.1	0.2	50	500
	10/0.1/0.1	0.2/0.5	20/30	
JDZX16-10G	10/√3/0.1/√3/0.1/3	0.2/3P	50/100	
	10/√3/0.1/√3/0.1/√3/0.1/3	0.2/0.5/0.5/3P	20/30/100	

注：如用户要求的参数与上列不同，可协商解决。

Note: If user's date is different from the above-mentioned scope ,they may be an negotiated settlement

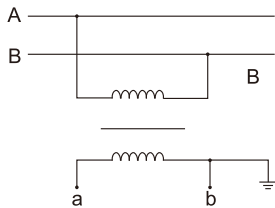
## 外形尺寸图 (Overall dimensions)

JDZ(X)16-10(G)  
JDZ16-10

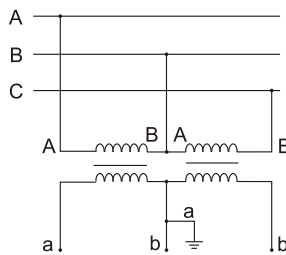


## 接线图 (Wiring diagram)

单相线路接线图



三相线路接线图



## 注意事项 (Matters needing attention)

电压互感器二次绕组不得短路, 否则互感器将被烧毁。

重复工频耐压实验, 应在规定的试验电压值的85%下进行。

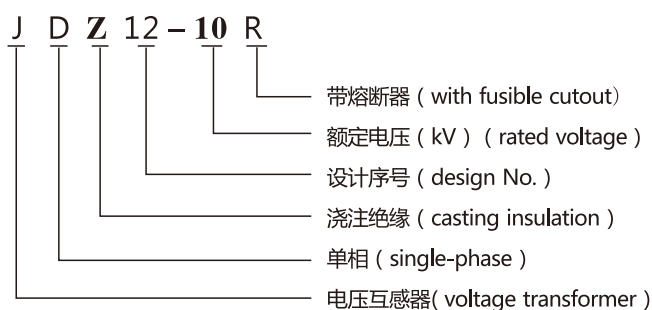
Voltage transformer secondary winding short circuit two shall not, otherwise the transformer will be burned.

Repeated power frequency withstand voltage test, should in the test voltage specified value 85%.

## JDZ12-10R型电压互感器

### Type JDZ12-10R voltage transformers

#### 型号及含义 (Model and meaning)



#### 技术参数 (Technical data)

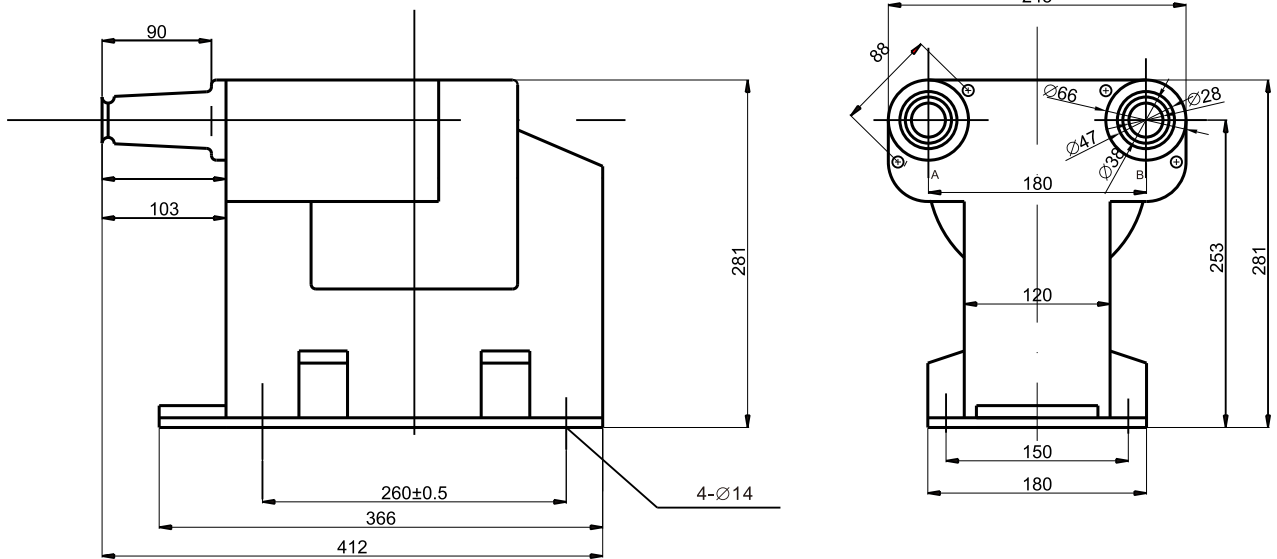
- 产品性能符合标准  
GB20840.1 GB20840.3  
IEC61869-1 IEC61869-3
- 额定绝缘水平 12/42/75 kV
- 额定频率50Hz或60Hz
- 环境温度-25°C ~ 40°C
- 海拔 海平面上1000m
- 户内装置
- The voltage transformers are in accordance with  
GB20840.1 GB20840.3  
IEC61869-1 IEC61869-3 standards
- Rated insulation level 12/42/75 kV
- Rated frequency 50Hz or 60Hz
- Ambient temperature -25°C ~ 40°C
- Altitude up to 1000m above sea level
- Indoor device

额定电压比 (kV) Rated transformation ratio	准确级组合 Accuracy classes combination	额定输出(VA) Rated output				热极限输出 (VA) Limiting thermal output
		0.2	0.5	1.0	3.0	
10/0.1	0.2,0.5	50	120			400
10/0.22	1,3			200	300	800
10/0.1/0.22	0.2/0.5	50	80			
	0.5/0.5		80			
	0.5/3		80		300	

注：如用户要求的参数与上列不同，可协商解决。

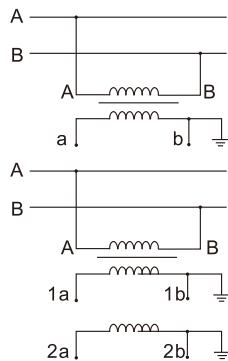
Note: If user's data is different from the above-mentioned scope, they may be an negotiated settlement

## 外形尺寸图 (Overall dimensions)



## 接线图 (Wiring diagram)

### 单相线路接线图



## 注意事项 (Matters needing attention)

电压互感器二次绕组不得短路,否则互感器将被烧毁。

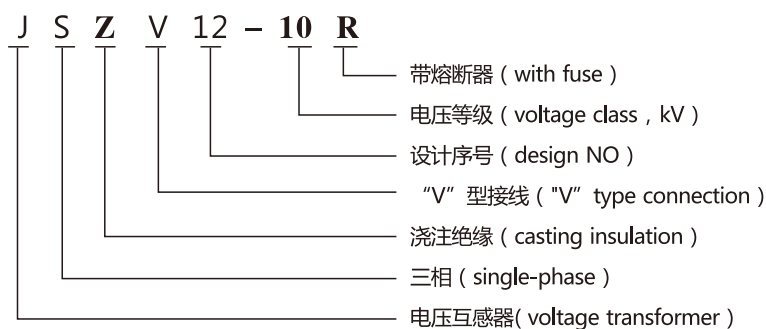
重复工频耐压实验,应在规定的试验电压值的85%下进行。

Voltage transformer secondary winding short circuit two shall not, otherwise the transformer will be burned.

Repeated power frequency withstand voltage test, should in the test voltage specified value 85%.

## JSZV12-10R型电压互感器 Type JSZV12-10R voltage transformers

### 型号及含义 (Model and meaning)



### 技术参数 (Technical date)

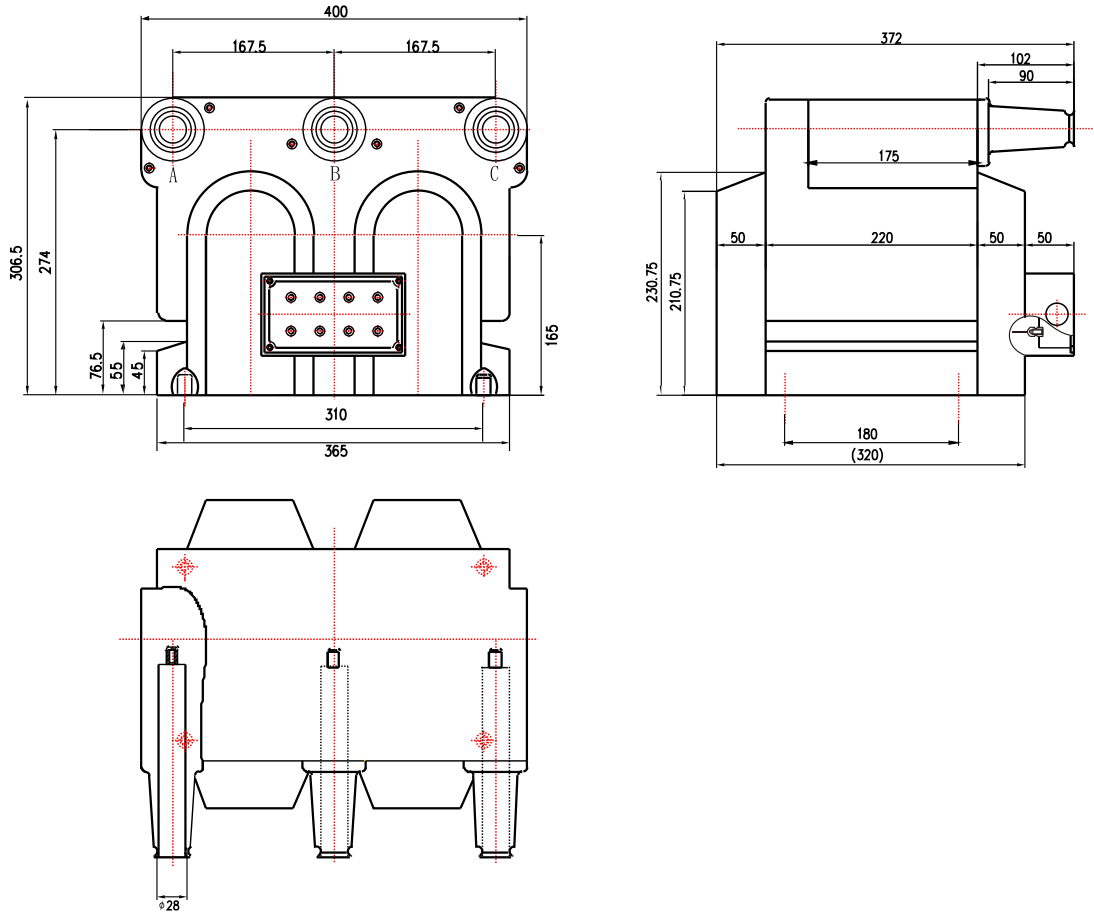
- 产品性能符合标准  
GB20840.1 GB20840.3  
IEC61869-1 IEC61869-3
- 额定绝缘水平 12/42/75 kV
- 额定频率50Hz或60Hz
- 环境温度-25℃~40℃
- 海拔 海平面上1000m
- 户内装置
- The voltage transformers are in accordance with  
GB20840.1 GB20840.3  
IEC61869-1 IEC61869-3 standards
- Rated insulation level 12/42/75 kV
- Rated frequency 50Hz or 60Hz
- Ambient temperature -25℃~40℃
- Altitude up to 1000m above sea level
- Indoor device

额定电压比 (kV) Rated transformation ratio	准确级组合 Accuracy classes combination	额定输出(VA) Rated output			热极限输出 (VA) Limiting thermal output
		0.2	0.5	1.0	
10/0.1	0.2,0.5	50	100	150	600
10/0.1/0.1	0.2/0.5,0.2/0.2	40	80	150	
10/0.1/0.22	0.2/3,0.5/3	40	80	500	600

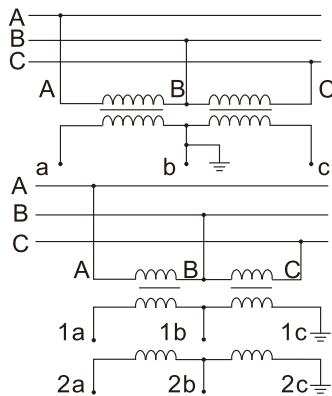
注：如用户要求的参数与上列不同，可协商解决。

Note: If user's date is different from the above-mentioned scope, they may be an negotiated settlement

## 外形尺寸图 (Overall dimensions)



## 接线图 (Wiring diagram)



## 注意事项 (Matters needing attention)

电压互感器二次绕组不得短路, 否则互感器将被烧毁。

重复工频耐压实验, 应在规定的试验电压值的85%下进行。

Voltage transformer secondary winding short circuit two shall not, otherwise the transformer will be burned.

Repeated power frequency withstand voltage test, should in the test voltage specified value 85%.

## 防止铁磁谐振型电压互感器组 (JDZX10-10/F和JDZX10-10/L组合)

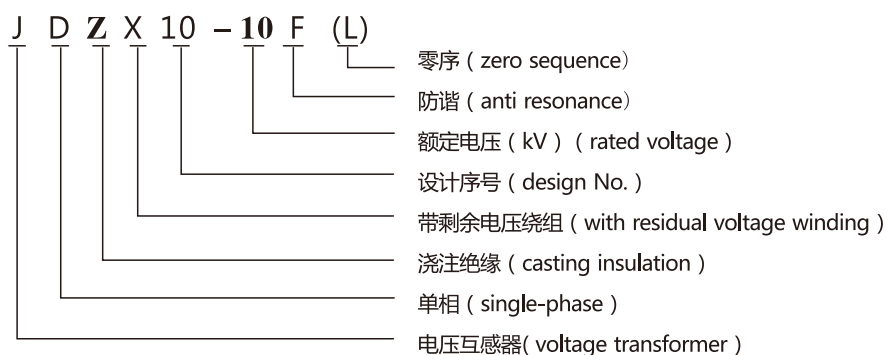
### A type of prevent resonance voltage transformers group

#### 产品简介 (Product introduction)

本型电压互感器由三台JDZX10-10/F型电压互感器和一台JDZX10-10/L型零序电压互感器组成。

The voltage transformers group is composed of the three type JDZX10-10/F and one type JDZX10-10/L.

#### 型号及含义 (Model and meaning)



#### 技术参数 (Technical data)

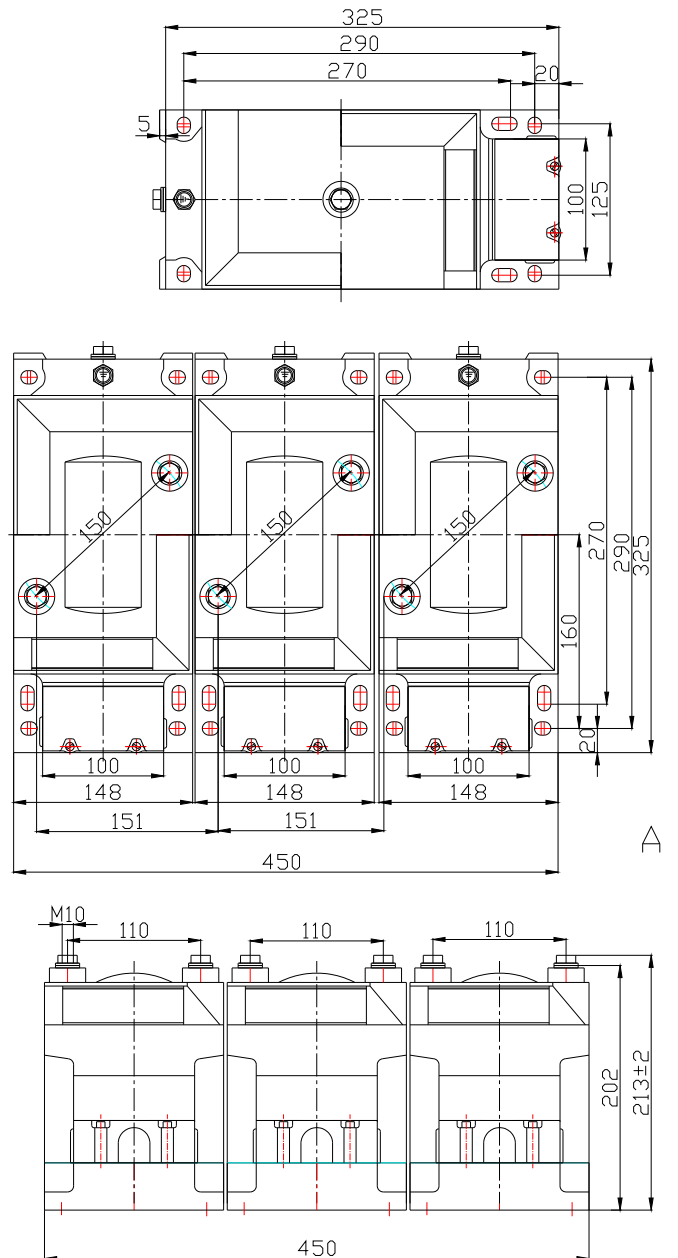
- |   |  |
|---|--|
| <ul style="list-style-type: none"> <li>■产品性能符合标准<br/>GB20840.1 GB20840.3<br/>IEC61869-1 IEC61869-3</li> <li>■额定绝缘水平 12/42/75 kV</li> <li>■额定频率50Hz或60Hz</li> <li>■环境温度-25℃~40℃</li> <li>■海拔 海平面上1000m</li> <li>■户内装置</li> </ul> | <ul style="list-style-type: none"> <li>■The voltage transformers are in accordance with<br/>GB20840.1 GB20840.3<br/>IEC61869-1 IEC61869-3 standards</li> <li>■Rated insulation level 12/42/75 kV</li> <li>■Rated frequency 50Hz or 60Hz</li> <li>■Ambient temperature -25℃~40℃</li> <li>■Altitude up to 1000m above sea level</li> <li>■Indoor device</li> </ul> |
|---|--|

产品型号 Product type	额定电压比 (kV) Rated voltage ratio	额定输出及相应准确级 Rated output and relative accuracy class	热极限输出 (VA) Limiting thermal output
JDZX10-10/F	6/√3/0.1/√3/0.1/3 10/√3/0.1/√3/0.1/3	15VA/0.2	400
JDZX10-10/L	6/√3/0.1/0.1/√3 10/√3/0.1/0.1/√3	50VA/3P	400

注：如用户要求的参数与上列不同，可协商解决。

Note: If user's data is different from the above-mentioned scope, they may be an negotiated settlement

## 外形尺寸图 (Overall dimensions)



A 向视图

## 注意事项 (Matters needing attention)

电压互感器二次绕组不得短路,否则互感器将被烧毁。

重复工频耐压实验,应在规定的试验电压值的85%下进行。

Voltage transformer secondary winding short circuit two shall not, otherwise the transformer will be burned.

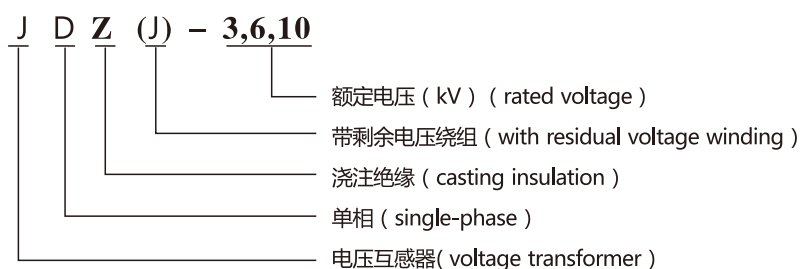
Repeated power frequency withstand voltage test, should in the test voltage specified value 85%.



## JDZ-3,6,10; JDZJ-3,6,10 型电压互感器

Type JDZ-3,6,10; JDZJ-3,6,10 voltage transformers

### 型号及含义 (Model and meaning)



### 技术参数 (Technical date)

- 产品性能符合标准  
 GB20840.1 GB20840.3  
 IEC61869-1 IEC61869-3
- The voltage transformers are in accordance with  
 GB20840.1 GB20840.3  
 IEC61869-1 IEC61869-3 standards
- 额定绝缘水平 12/42/75 kV
- Rated insulation level 12/42/75 kV
- 额定频率50Hz或60Hz
- Rated frequency 50Hz or 60Hz
- 环境温度-25°C ~ 40°C
- Ambient temperature -25°C ~ 40°C
- 海拔 海平面上1000m
- Altitude up to 1000m above sea level
- 户内装置
- Indoor device

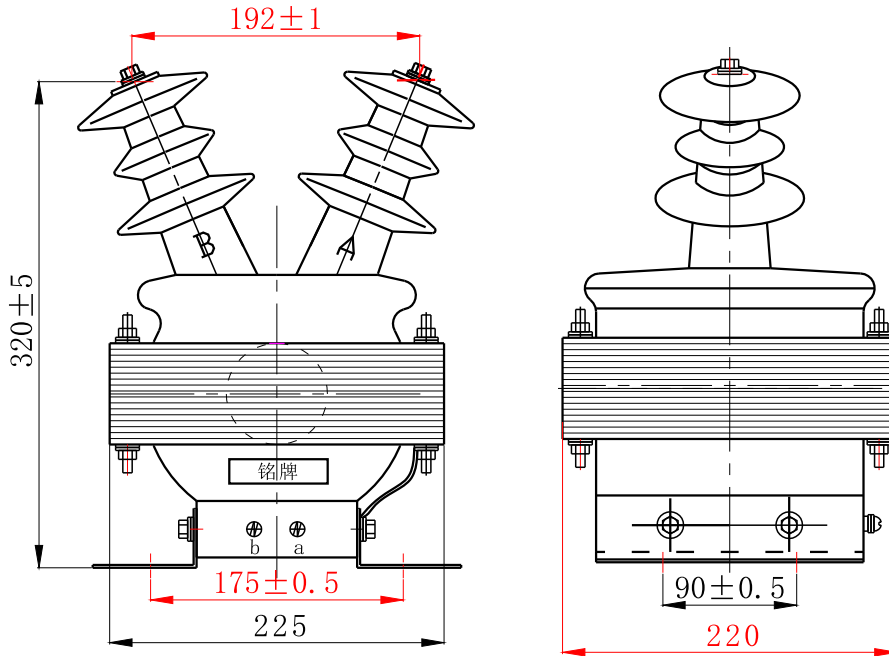
型号 Type	额定电压比 (kV) Rated transformation ratio	准确级及额定输出 (VA) Accuracy class and Rated output						热极限输出 (VA) Limiting therma output
		0.2	0.5	1	3	3P	6P	
JDZ-10	10/0.1	30	50	120	300			500
JDZ-6	6/0.1	20	50	80	200			400
JDZ-3	3/0.1		30	50	120			200
JDZJ-10	10/√3/0.1/√3/0.1/√3	30	50	80	200		50	400
JDZJ-6	6/√3/0.1/√3//0.1/√3	15	50	80	200		50	400
JDZJ-3	3/√3/0.1/√3/0.1/√3		30	50	80		50	200

注：如用户要求的参数与上列不同，可协商解决。

Note: If user's date is different from the above-mentioned scope ,they may be an negotiated settlement

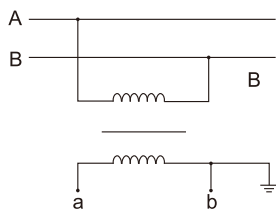
## 外形尺寸图 (Overall dimensions)

JDZ-3、6、10G  
JDZ-3、6、10

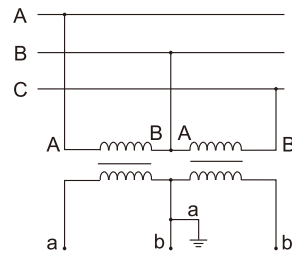


## 接线图 (Wiring diagram)

单相线路接线图



三相线路接线图



## 注意事项 (Matters needing attention)

电压互感器二次绕组不得短路, 否则互感器将被烧毁。

重复工频耐压实验, 应在规定的试验电压值的85%下进行。

Voltage transformer secondary winding short circuit two shall not, otherwise the transformer will be burned.

Repeated power frequency withstand voltage test, should in the test voltage specified value 85%.

## JDZ11-20(UNZ20) 型电压互感器

### Type JDZ11-20 (UNZ20) voltage transformers

#### 型号及含义 (Model and meaning)



#### 技术参数 (Technical date)

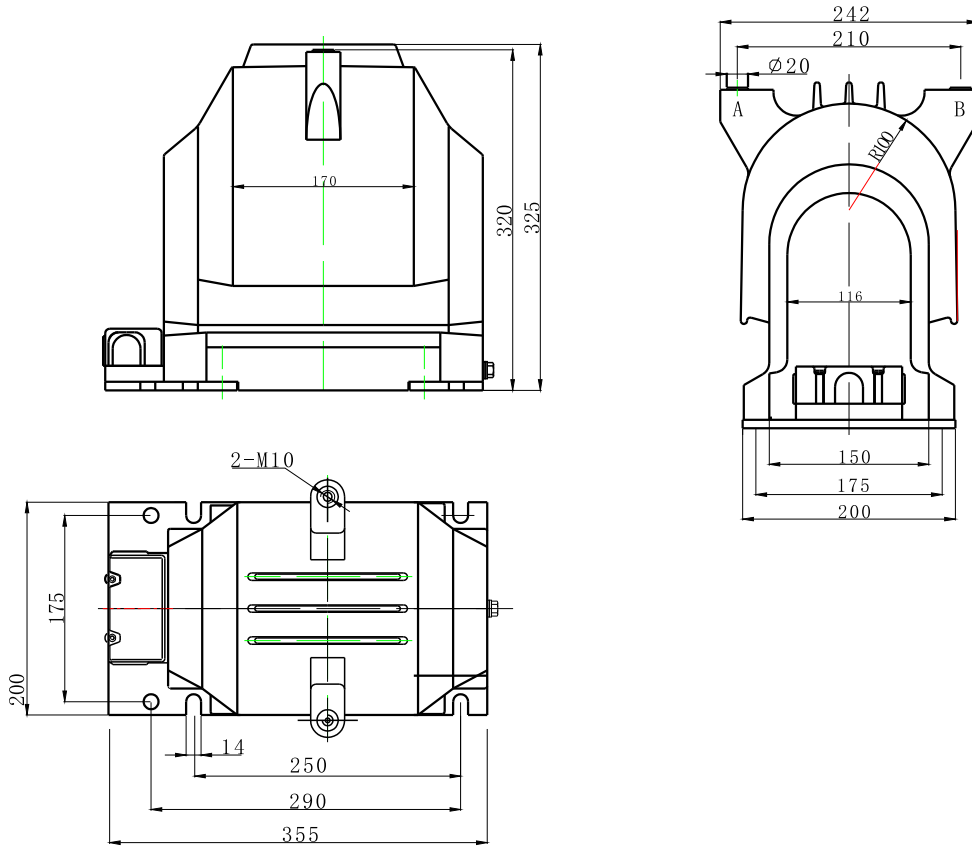
- 产品性能符合标准  
 GB20840.1 GB20840.3  
 IEC61869-1 IEC61869-3
- The voltage transformers are in accordance with  
 GB20840.1 GB20840.3  
 IEC61869-1 IEC61869-3 standards
- 额定绝缘水平 24/65/125 kV
- Rated insulation level 24/65/125 kV
- 额定频率50Hz或60Hz
- Rated frequency 50Hz or 60Hz
- 环境温度-25℃~40℃
- Ambient temperature -25℃~40℃
- 海拔 海平面上1000m
- Altitude up to 1000m above sea level
- 户内装置
- Indoor device

额定电压比 (kV) Rated transformation ratio	准确级组合 Accuracy classes combination	额定输出(VA) Rated output			热极限输出 (VA) Limiting thermal output
		0.2	0.5	1.0	
20/0.1	0.2,0.5	30	100	200	600
18/0.1					
15/0.1		20	90	180	
13.8/0.1					

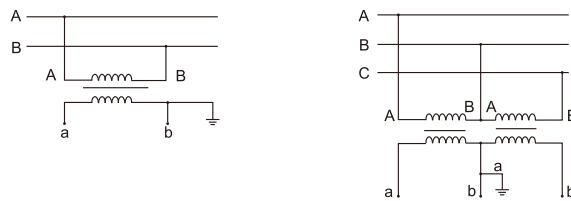
注：如用户要求的参数与上列不同，可协商解决。

Note: If user's data is different from the above-mentioned scope, they may be an negotiated settlement

### 外形尺寸图 (Overall dimensions)



### 接线图 (Wiring diagram)



### 注意事项 (Matters needing attention)

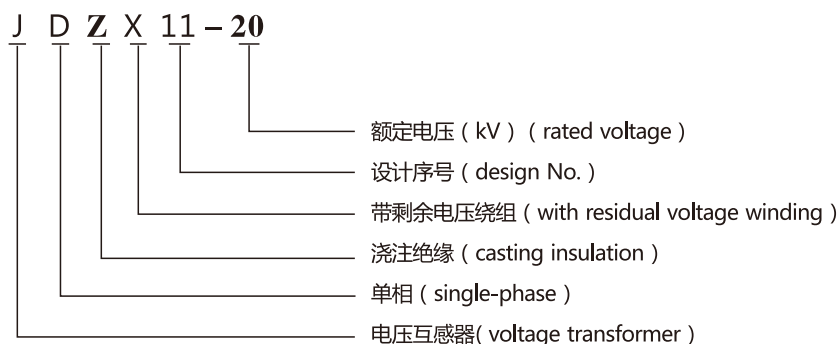
电压互感器二次绕组不得短路, 否则互感器将被烧毁。  
重复工频耐压实验, 应在规定的试验电压值的85%下进行。

Voltage transformer secondary winding short circuit two shall not, otherwise the transformer will be burned.

Repeated power frequency withstand voltage test, should in the test voltage specified value 85%.

## JDZX11-20 (UNE20) 型电压互感器 Type JDZX11-20 (UNE20) voltage transformers

### 型号及含义 (Model and meaning)



### 技术参数 (Technical date)

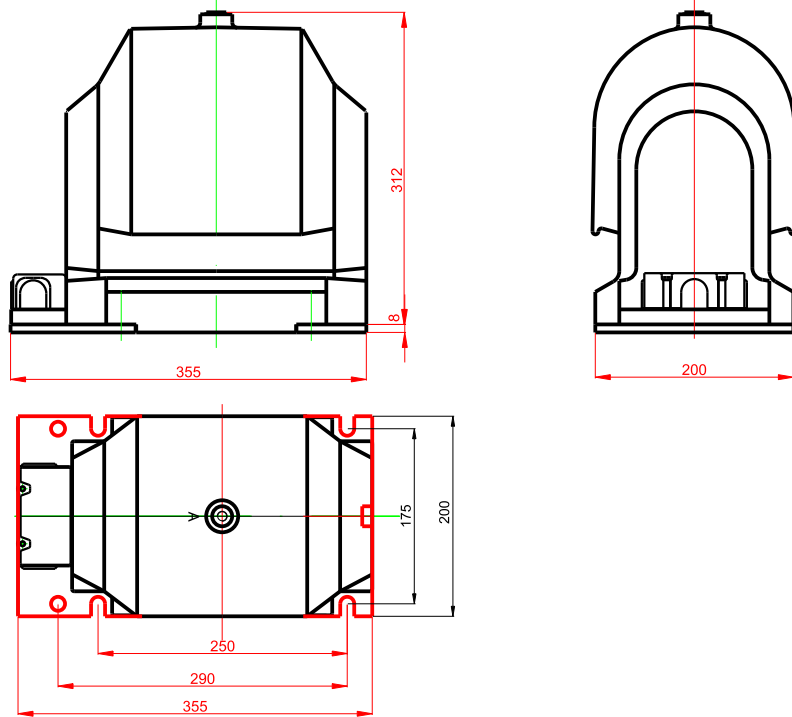
- 产品性能符合标准 GB1207-2006和IEC60044-2
- The voltage transformers are in accordance with GB1207-2006 and IEC60044-2 standards
- 额定绝缘水平 24/65/125 kV
- Rated insulation level 24/65/125 kV
- 额定频率50Hz或60Hz
- Rated frequency 50Hz or 60Hz
- 环境温度-25℃ ~ 40℃
- Ambient temperature -25℃ ~ 40℃
- 海拔 海平面上1000m
- Altitude up to 1000m above sea level
- 户内装置
- Indoor device

额定电压比 (kV) Rated transformation ratio	准确级组合 Accuracy classes combination	额定输出(VA) Rated output				热极限输出 (VA) Limiting thermal output
		0.2	0.5	1.0	6P	
20/√3/0.1/√3/0.1/3 18/√3/0.1/√3/0.1/3 15/√3/0.1/√3/0.1/3 13.8/√3/0.1/√3/0.1/3	0.2/6P,0.5/6P, 1.0/6P	30 45	120 90	200 180	50	600

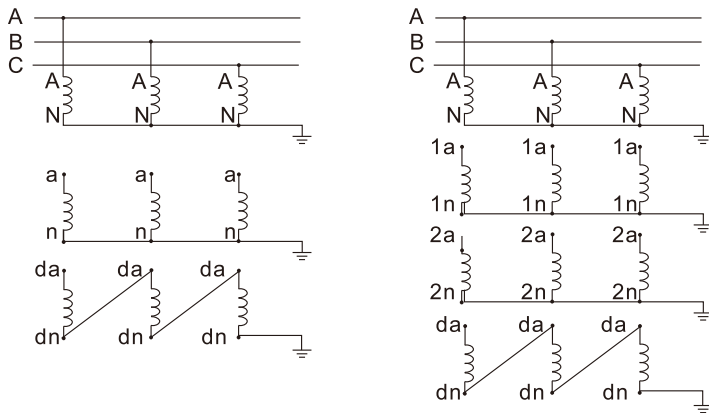
注：如用户要求的参数与上列不同，可协商解决。

Note: If user's data is different from the above-mentioned scope, they may be an negotiated settlement

### 外形尺寸图 (Overall dimensions)



### 接线图 (Wiring diagram)



### 注意事项 (Matters needing attention)

电压互感器二次绕组不得短路, 否则互感器将被烧毁。

重复工频耐压实验, 应在规定的试验电压值的85%下进行。

Voltage transformer secondary winding short circuit two shall not, otherwise the transformer will be burned.

Repeated power frequency withstand voltage test, should in the test voltage specified value 85%.

## JDZ15-20(RZL20) 型电压互感器

### Type JDZ15-20(RZL20) voltage transformers

#### 型号及含义 (Model and meaning)



#### 技术参数 (Technical date)

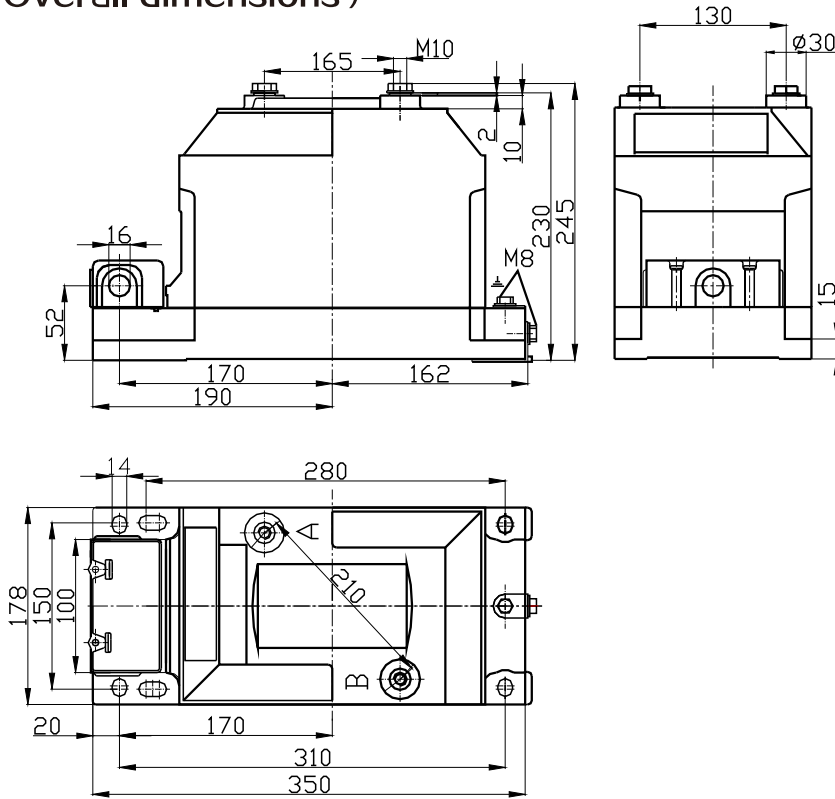
- 产品性能符合标准  
GB20840.1 GB20840.3  
IEC61869-1 IEC61869-3
- 额定绝缘水平 24/65/125 kV
- 额定频率50Hz或60Hz
- 环境温度-25°C ~ 40°C
- 海拔 海平面上1000m
- 户内装置
- The voltage transformers are in accordance with  
GB20840.1 GB20840.3  
IEC61869-1 IEC61869-3 standards
- Rated insulation level 24/65/125 kV
- Rated frequency 50Hz or 60Hz
- Ambient temperature -25°C ~ 40°C
- Altitude up to 1000m above sea level
- Indoor device

额定电压比 (kV) Rated transformation ratio	准确级组合 Accuracy classes combination	额定输出(VA) Rated output			热极限输出 (VA) Limiting thermal output
		0.2	0.5	1.0	
20/0.1 18/0.1 15/0.1 13.8/0.1	0.2,0.5, 1.0	15	30,20	60, 30	400

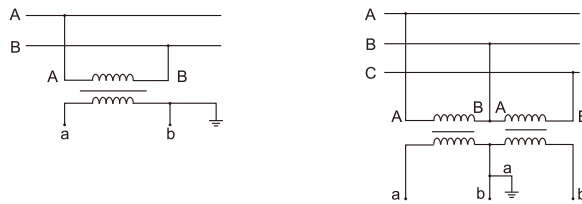
注：如用户要求的参数与上列不同，可协商解决。

Note: If user's data is different from the above-mentioned scope, they may be an negotiated settlement

### 外形尺寸图 (Overall dimensions)



### 接线图 (Wiring diagram)



### 注意事项 (Matters needing attention)

电压互感器二次绕组不得短路,否则互感器将被烧毁。

重复工频耐压实验,应在规定的试验电压值的85%下进行。

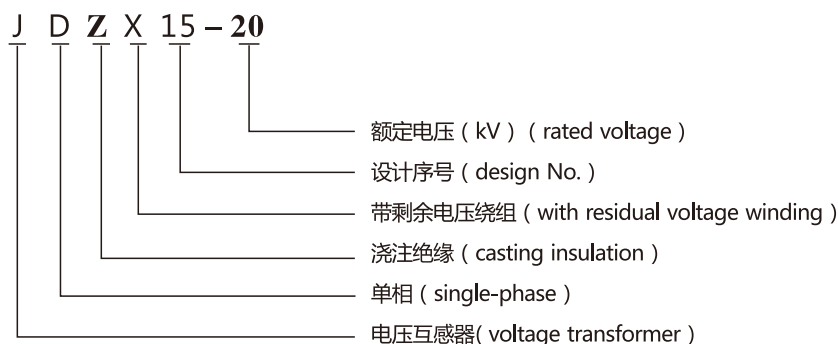
Voltage transformer secondary winding short circuit two shall not, otherwise the transformer will be burned.

Repeated power frequency withstand voltage test, should in the test voltage specified value 85%.



## JDZX15-20(REL20) 型电压互感器 Type JDZX15-20( REL20) voltage transformers

### 型号及含义 ( Model and meaning )



### 技术参数 ( Technical date )

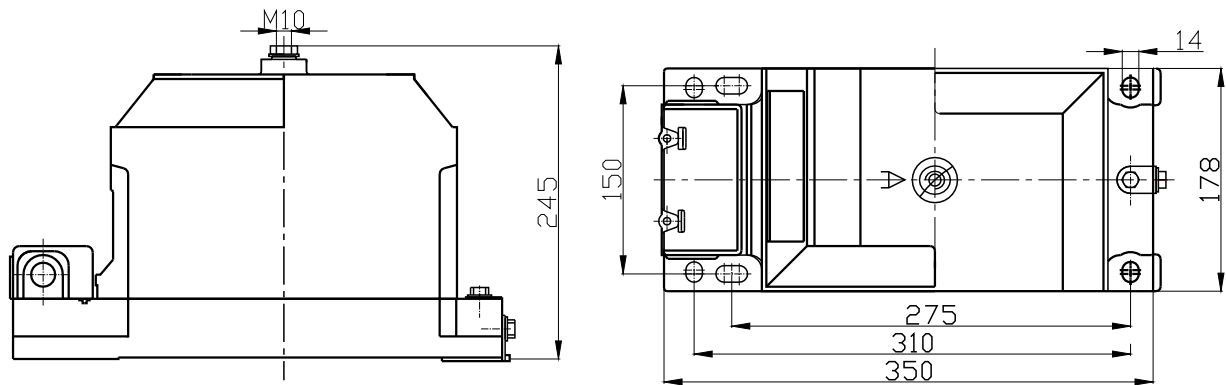
- 产品性能符合标准  
 GB20840.1 GB20840.3  
 IEC61869-1 IEC61869-3
- The voltage transformers are in accordance with  
 GB20840.1 GB20840.3  
 IEC61869-1 IEC61869-3 standards
- 额定绝缘水平 24/65/125 kV
- Rated insulation level 24/65/125 kV
- 额定频率50Hz或60Hz
- Rated frequency 50Hz or 60Hz
- 环境温度-25℃ ~ 40℃
- Ambient temperature -25℃ ~ 40℃
- 海拔 海平面上1000m
- Altitude up to 1000m above sea level
- 户内装置
- Indoor device

额定电压比 ( kV ) Rated transformation ratio	准确级组合 Accuracy classes combination	额定输出(VA) Rated output				热极限输出 (VA) Limiting thermal output
		0.2	0.5	1.0	6P	
20/√3/0.1/√3/0.1/3 18/√3/0.1/√3/0.1/3 15/√3/0.1/√3/0.1/3 13.8/√3/0.1/√3/0.1/3	0.2/6P,0.5/6P, 1.0/6P	15	30,20	60 , 30	50	400

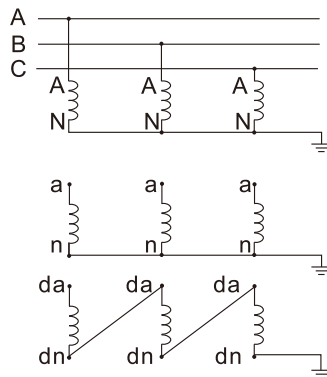
注：如用户要求的参数与上列不同，可协商解决。

Note: If user's date is different from the above-mentioned scope ,they may be an negotiated settlement

## 外形尺寸图 (Overall dimensions)



## 接线图 (Wiring diagram)



## 注意事项 (Matters needing attention)

电压互感器二次绕组不得短路,否则互感器将被烧毁。

重复工频耐压实验,应在规定的试验电压值的85%下进行。

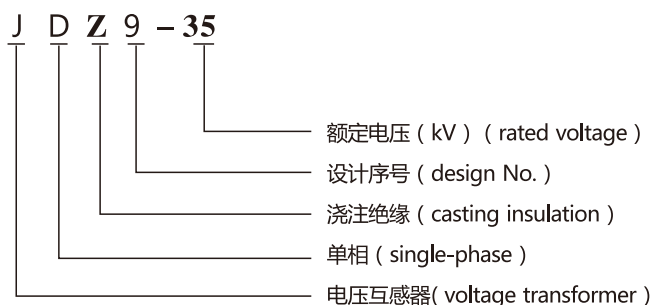
Voltage transformer secondary winding short circuit two shall not, otherwise the transformer will be burned.

Repeated power frequency withstand voltage test, should in the test voltage specified value 85%.

## JDZ9-35 型电压互感器

### Type JDZ9-35 voltage transformers

#### 型号及含义 (Model and meaning)



#### 技术参数 (Technical data)

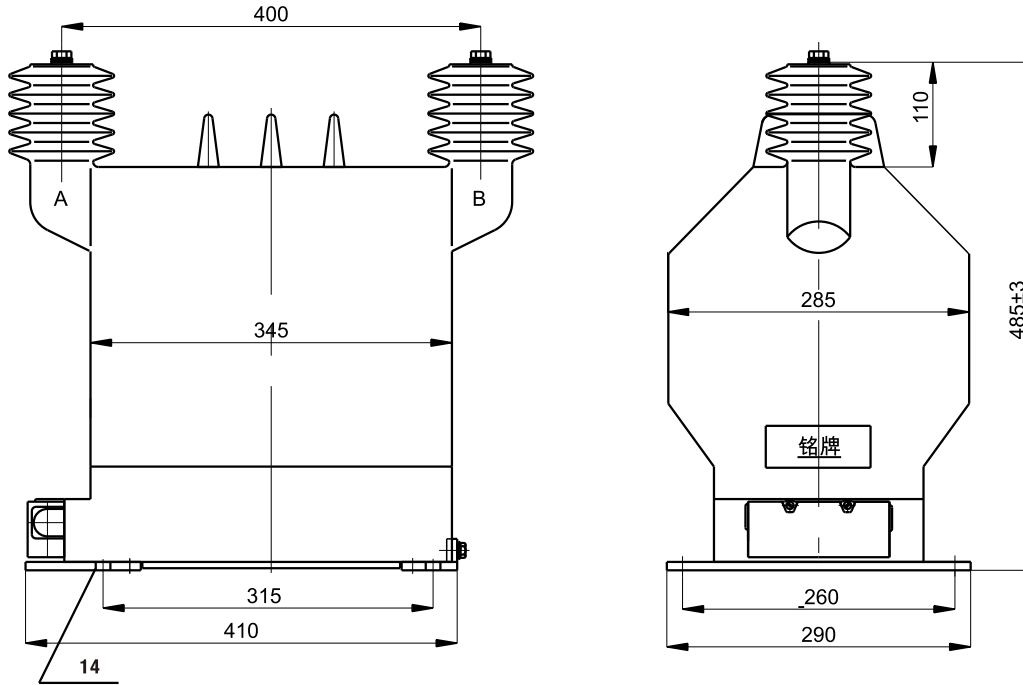
- 产品性能符合标准 GB20840.1 GB20840.3 IEC61869-1 IEC61869-3
- The voltage transformers are in accordance with GB20840.1 GB20840.3 IEC61869-1 IEC61869-3 standards
- 额定绝缘水平 40.5/95/200 kV
- Rated insulation level 40.5/95/200 kV
- 额定频率50Hz或60Hz
- Rated frequency 50Hz or 60Hz
- 环境温度-25℃~40℃
- Ambient temperature -25℃~40℃
- 海拔 海平面上1000m
- Altitude up to 1000m above sea level
- 户内装置
- Indoor device

额定电压比 (kV) Rated transformation ratio	准确级组合 Accuracy classes combination	额定输出(VA) Rated output			热极限输出 (VA) Limiting thermal output
		0.2	0.5	1.0	
35/0.1 30/0.1	0.2,0.5,1.0	45	80	120	900
35/0.1/0.1 30/0.1/0.1	0.2/0.2,0.2/0.5	30	50	100	

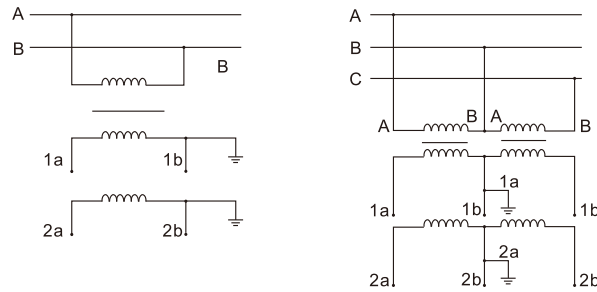
注：如用户要求的参数与上列不同，可协商解决。

Note: If user's data is different from the above-mentioned scope, they may be an negotiated settlement

## 外形尺寸图 (Overall dimensions)



## 接线图 (Wiring diagram)



## 注意事项 (Matters needing attention)

电压互感器二次绕组不得短路, 否则互感器将被烧毁。

重复工频耐压实验, 应在规定的试验电压值的85%下进行。

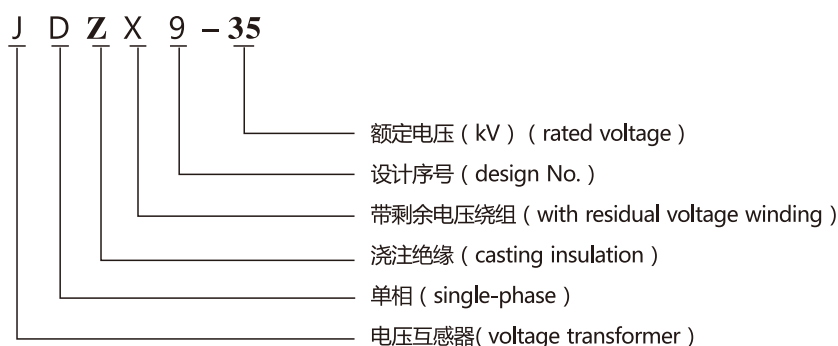
Voltage transformer secondary winding short circuit two shall not, otherwise the transformer will be burned.

Repeated power frequency withstand voltage test, should in the test voltage specified value 85%.

## JDZX9-35 型电压互感器

### Type JDZX9-35 voltage transformers

#### 型号及含义 (Model and meaning)



#### 技术参数 (Technical data)

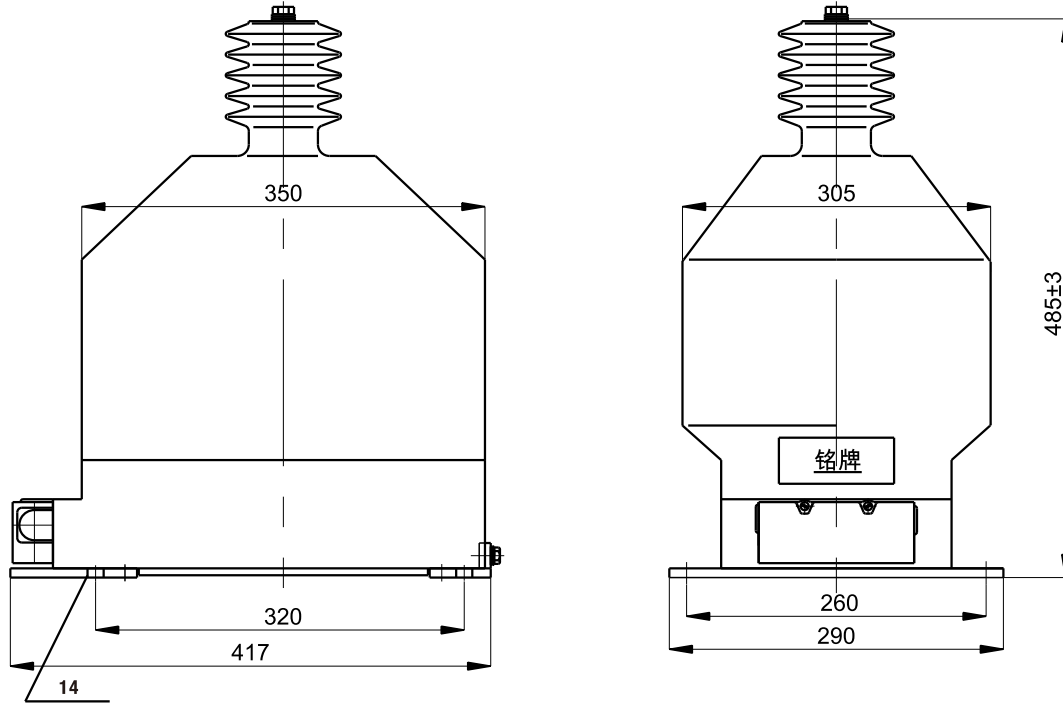
- 产品性能符合标准 GB20840.1 GB20840.3 IEC61869-1 IEC61869-3
- The voltage transformers are in accordance with GB20840.1 GB20840.3 IEC61869-1 IEC61869-3 standards
- 额定绝缘水平 40.5/95/200 kV
- Rated insulation level 40.5/95/200 kV
- 额定频率50Hz或60Hz
- Rated frequency 50Hz or 60Hz
- 环境温度-25°C ~ 40°C
- Ambient temperature -25°C ~ 40°C
- 海拔 海平面上1000m
- Altitude up to 1000m above sea level
- 户内装置
- Indoor device

额定电压比 (kV) Rated transformation ratio	准确级组合 Accuracy classes combination	额定输出(VA) Rated output				热极限输出 (VA) Limiting thermal output
		0.2	0.5	1.0	6P	
35/√3/0.1/√3/0.1/3 30/√3/0.1/√3/0.1/3	0.2/6P,0.5/6P, 1.0/6P	45	80	120	100	900
35/√3/0.1/√3/0.1√3/0.1/3 30/√3/0.1/√3/0.1/√3/0.1/3	0.2/0.5/3P(6P)	30	80	100		

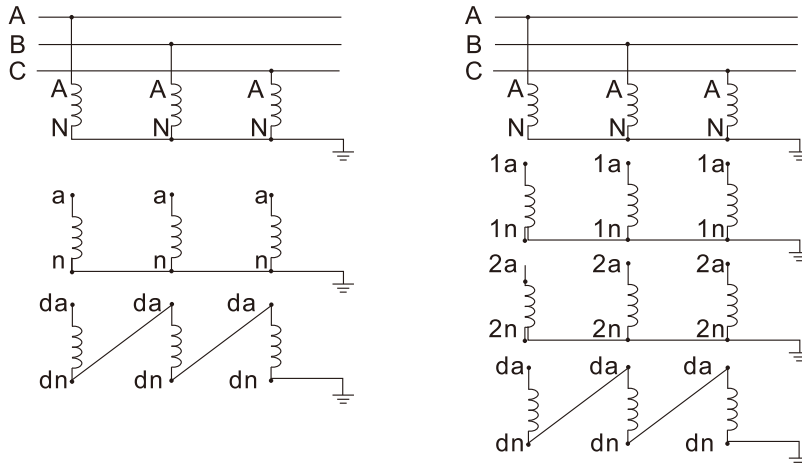
注：如用户要求的参数与上列不同，可协商解决。

Note: If user's data is different from the above-mentioned scope, they may be an negotiated settlement

### 外形尺寸图 (Overall dimensions)



### 接线图 (Wiring diagram)



### 注意事项 (Matters needing attention)

电压互感器二次绕组不得短路, 否则互感器将被烧毁。  
 重复工频耐压实验, 应在规定的试验电压值的85%下进行。

Voltage transformer secondary winding short circuit two shall not, otherwise the transformer will be burned.

Repeated power frequency withstand voltage test, should in the test voltage specified value 85%.