



**OUTDOOR INSTRUMENT TRANSFORMERS  
SPECIALIZED FOR ZW32 SWITCHES**

**BEIJING HYLITON POWER TECHNOLOGY CO.,LTD.**



TEL: 86-10-58711928

FAX: 86-10-58711938

E-mail: [overseas@hyliton.com](mailto:overseas@hyliton.com)

ADDRESS: 6th Floor, Advanced Material Building, Haidian, Beijing, China.

## **VISION**

To build a world brand of power supply & consumption product focusing on instrument transformers.

## **CORE VALUE**

Honesty, Enterprising, Innovation and Exceeding  
People-oriented, Practice-respectable  
Virtue-advocated, Self-restrain  
Constantly striving for perfection, pursuing excellence

## **BUSINESS PHILOSOPHY**

Long-lasting excellent quality, Origin from professionalization

The running of our business is not only to create value for society and the enterprise, but also to help our staff to get beneficial growth and esteem.

# INTRODUCTION



Beijing Hyliton Power Technology Co., Ltd. (Hyliton), is a leading manufacturer of products related to power transmission and distribution in China. Founded in 2000 in Beijing, Hyliton has been dedicated to promoting advanced technologies and products in the progress of China's upgrading and transformation. With 10+ years of experience in power products R&D, manufacture and marketing, Hyliton has accumulated a high reputation in the field, and is well-known for being sincere in business and creative in management. Nowadays, Hyliton hopes to develop potential international relationship and business, take the advantage of globalization to achieve win-win cooperation, and help people all over the world getting safer and more efficient power supply.





# QUALIFICATION CERTIFICATES



# ◆ LZW32A-10 Type

## Current Transformer for Pole-mounted Switches

### GENERAL DESCRIPTION >>>

The LZW32A-10 series CT is designed for 10kV AC distribution power system. And it is mainly installed in the ZW32-10 Pole-mounted Switches for the protection and measurement of three-phase currents. It is designed with superconducting magnetic materials, so that it can both meet requirements of high-precision and high-capacity. In addition, the product is covered by a layer of silicone rubber for insulation, hence, it has advantages of high temperature resistance, low temperature resistance, corrosion resistance, UV-resistance, anti-aging, maintenance free, etc.

There are two models of the A type LZW-32 CT, A1 and A2. The A2 adopts dual-winding design, so that it can achieve functions of measurement and protection at the same time.

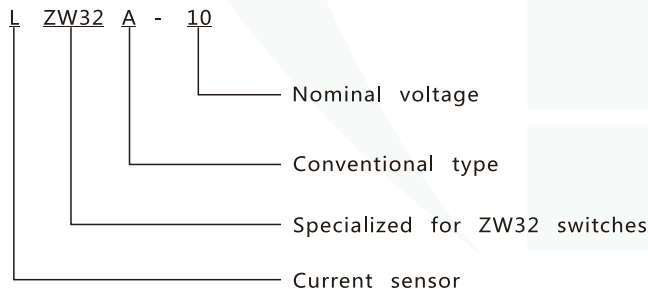


LZW32A1-10

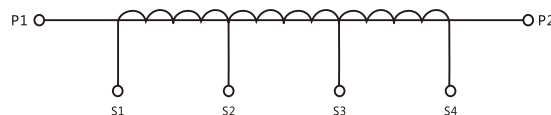


LZW32A2-10

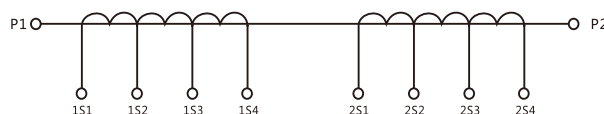
### TYPE DESIGNATION >>>



### ELECTRICAL DIAGRAMS >>>



LZW32A1-10



LZW32A2-10

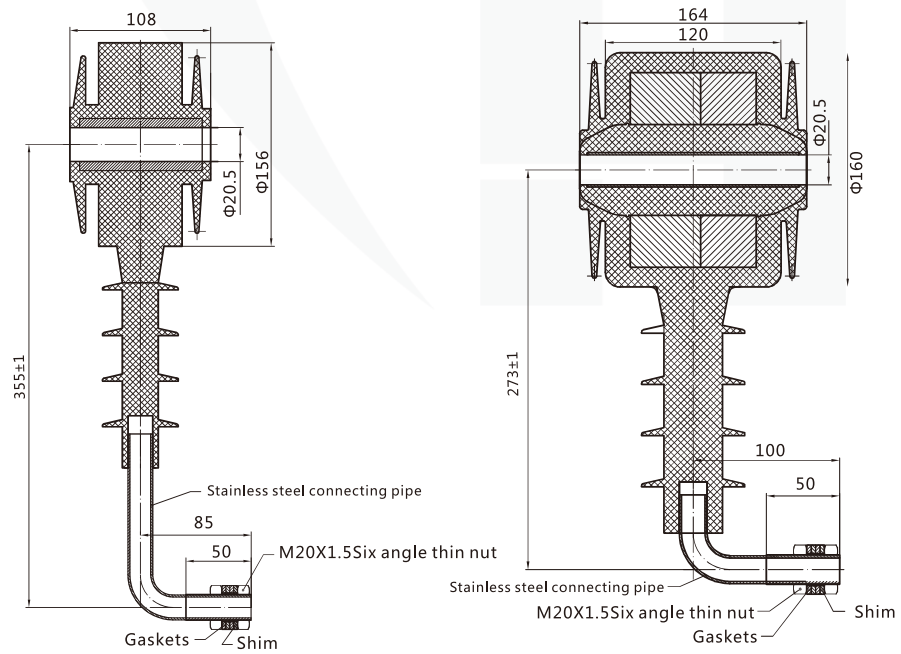
**APPLICABLE CONDITIONS** >>>

Ambient Temperature	-25 °C—40°C	Altitude	≤ 2000 m
Daily average temperature	≤ 40 °C	Pollution grade	II grade

**TECHNICAL DATA** >>>

Nominal primary insulation voltage	12/42/75 kV	Nominal frequency	50 Hz
Product model	Ratio, accuracy class, and capacity		
LZW32A1-10	200/400/600/1	10P20	1.5/2.0/2.5 VA
	200/400/600/5	10P20	3.75/7.5/10.0 VA
LZW32A2-10	200/400/600/1	0.5/10P20	2.5/5.0/5.0 VA
	200/400/600/5	0.5/10P20	3.75/7.5/10.0 VA
Standard	GB 20840-1,GB20840-2		
Note	Metal connecting pipe size can be customized		

**OUTLINE DIMENSIONAL DRAWING** >>>



LZW32A1-10

LZW32A2-10

# ◆ LZW32B-10 Type

## Plateau Type Current Sensor for Pole-mounted Switches

### GENERAL DESCRIPTION >>>

The LZW32B-10 series CT is designed for 10kV AC distribution power system. And it is mainly installed in the ZW32-10 Pole-mounted Switches for the protection and measurement of three-phase currents. It is designed with superconducting magnetic materials, so that it can both meet requirements of high-precision and high-capacity. In addition, the product is covered by a layer of silicone rubber for insulation, hence, it has advantages of high temperature resistance, low temperature resistance, corrosion resistance, UV-resistance, anti-aging, maintenance free, etc.

The B series CT has characteristics of large creep distance and high voltage resistance, so that it can work normally in environments with lower temperature or higher altitude. There are two models of the B type product, B1 and B2, in which the B2 type adopts two winding design, can achieve the functions of both measurement and protection.

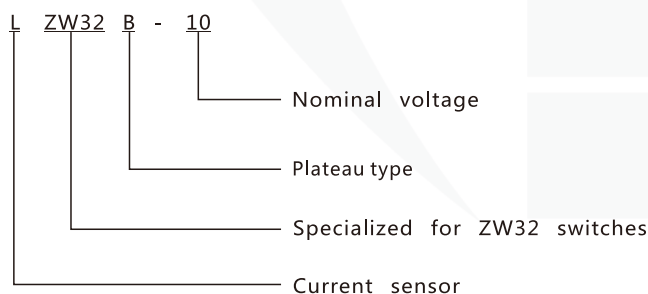


LZW32B1-10

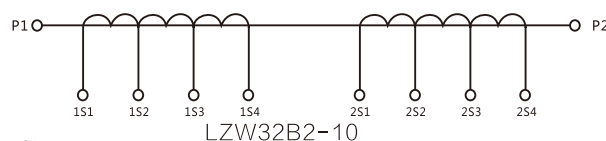
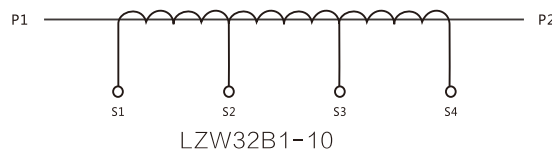


LZW32B2-10

### TYPE DESIGNATION >>>



### ELECTRICAL DIAGRAMS >>>





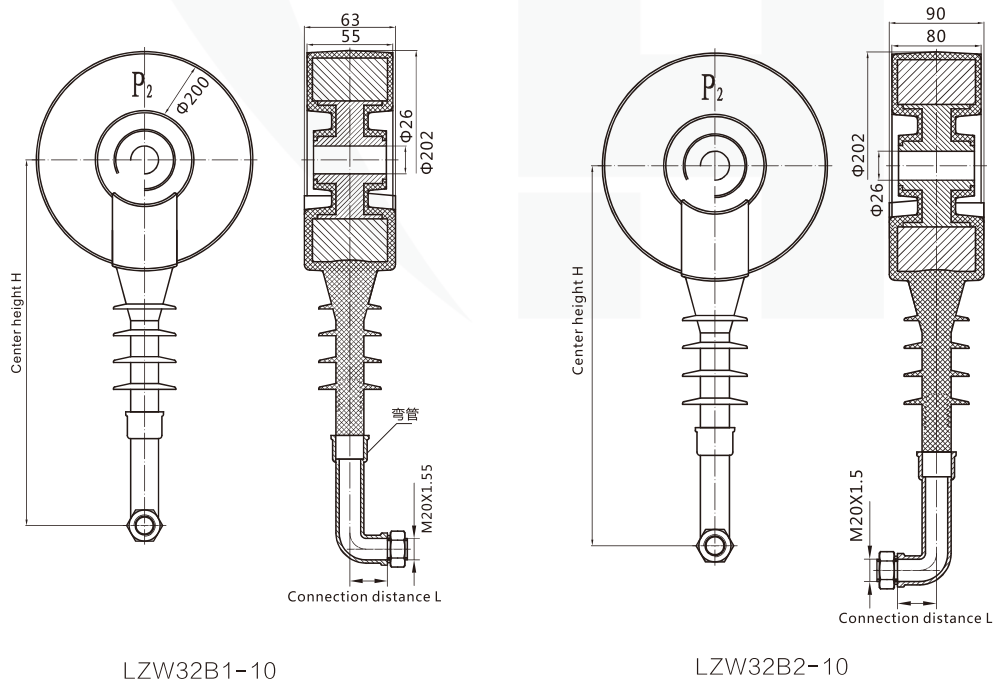
### APPLICABLE CONDITIONS >>>

Ambient Temperature	-25 °C—40°C	Altitude	≤ 4000 m
Daily average temperature	≤ 40 °C	Pollution grade	II grade

### TECHNICAL DATA >>>

Nominal primary insulation voltage	12/42/75 kV	Nominal frequency	50 Hz
Product model	Ratio, accuracy class, and capacity		
LZW32B1-10	200/400/600/1	10P20	1.5/2.0/2.5 VA
	200/400/600/5	10P20	3.75/7.5/10.0 VA
LZW32B2-10	200/400/600/1	0.5/10P20	2.5/5.0/5.0 VA
	200/400/600/5	0.5/10P20	3.75/7.5/10.0 VA
Standard	GB 20840-1, GB20840-2		
Note	Metal connecting pipe size can be customized		

### OUTLINE DIMENSIONAL DRAWING >>>

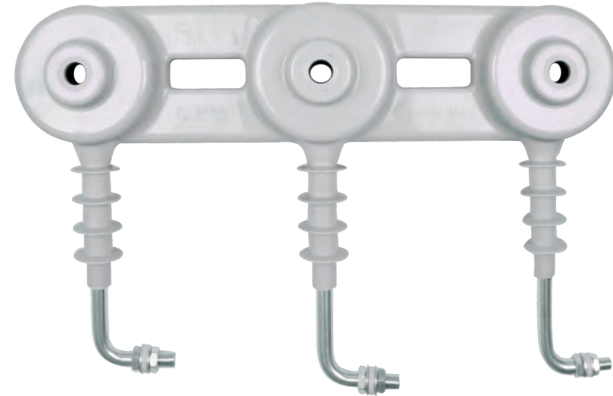


# ◆ LSYW32-10 Type

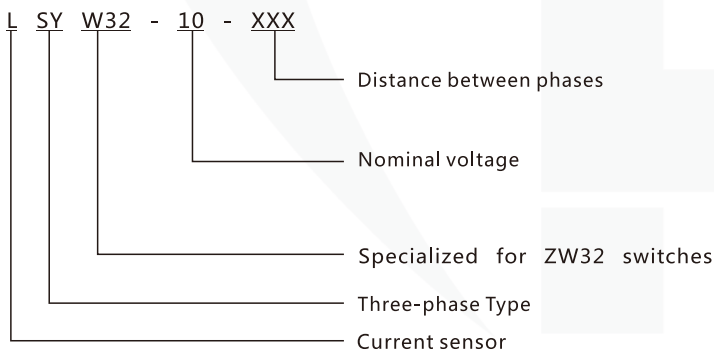
## Plateau Type Current Sensor for Pole-mounted Switches General description

### GENERAL DESCRIPTION >>>

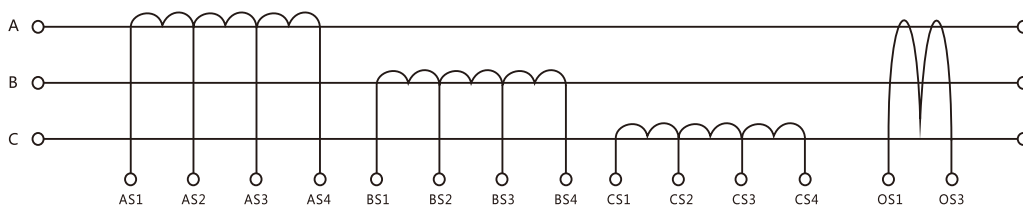
LSYW32-10 series CT is designed for 10kV AC distribution power system. And it is mainly installed in the ZW32-10 Pole-mounted Switches for the protection and measurement of three-phase currents. It is designed with superconducting magnetic materials, so that it can both meet requirements of high-precision and high-capacity. In addition, the product is covered by a layer of silicone rubber for insulation, hence, it has advantages of high temperature resistance, low temperature resistance, corrosion resistance, UV-resistance, anti-aging, maintenance free, etc.



### TYPE DESIGNATION >>>



### ELECTRICAL DIAGRAMS >>>



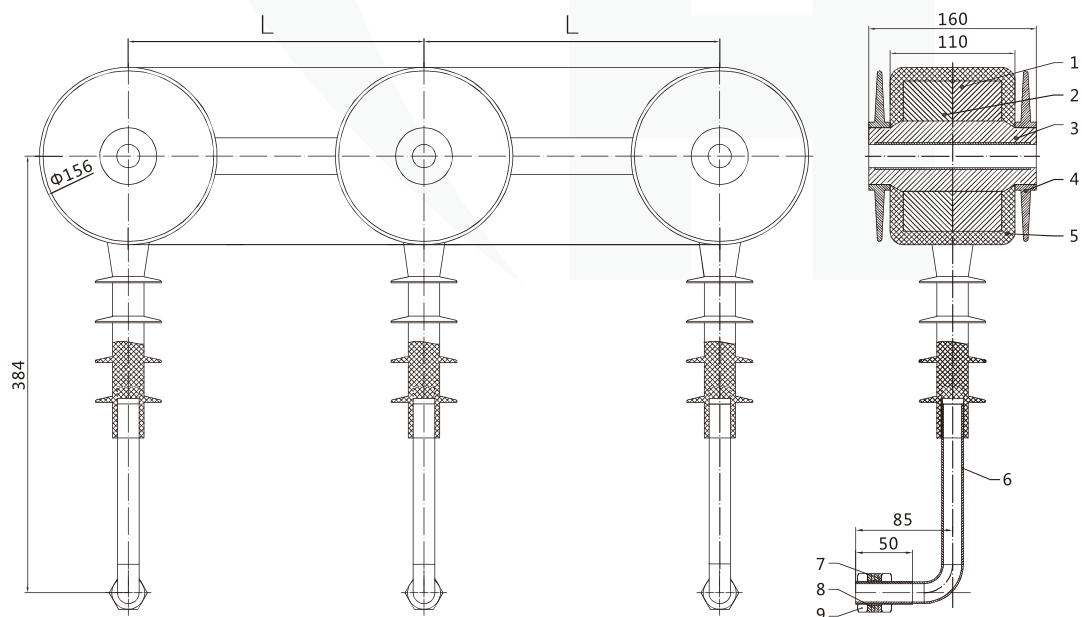
### APPLICABLE CONDITIONS >>>

Ambient Temperature	-25 °C—40°C	Altitude	≤ 2000 m
Daily average temperature	≤ 30 °C	Pollution grade	II grade

### TECHNICAL DATA >>>

Nominal primary insulation voltage		12/42/75 kV	Nominal frequency	50 Hz
category	Phase spacing	Ratio, accuracy class, and capacity		
Phase sequence	260/340	200/400/600/1	10P20	1.5/2.0/2.5 VA
		200/400/600/5	10P20	5.0/7.5/10.0 VA
Zero sequence	260/280/ 320/340	20/1	1	0.1 VA
			3	0.5 VA
Standard	GB 20840-1,GB20840-2			
Note	Metal connecting pipe size can be customized, the combination type transformer can choose A/B/C+ zero sequence, or A/C+ zero sequence			

### OUTLINE DIMENSIONAL DRAWING >>>



**Our Expected Vision is:**

**To build a world brand of power supply & consumption  
product focusing on instrument transformers**



TEL: 86-10-58711928

FAX: 86-10-58711938

E-mail: [overseas@hyliton.com](mailto:overseas@hyliton.com)

ADDRESS: 6th Floor, Advanced Material Building,  
Haidian, Beijing, China.

**[www.hyliton.com](http://www.hyliton.com)**