

Product item : EJDZ-10 Electronic Type Voltage Transformers

Product type : EJDZ-10

Protect code :

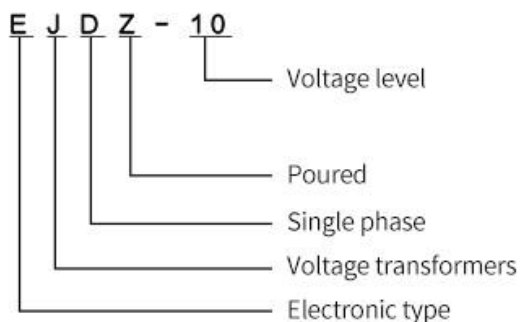
Overview : EJDZ-10 electronic type voltage transformer is suitable for use in outdoor power pole mounted vacuum circuit breakers such as ZW20 and ZW28 in 10kV power systems.



## Summary

EJDZ-10 electronic type voltage transformer is suitable for use in outdoor power pole mounted vacuum circuit breakers such as ZW20 and ZW28 in 10kV power systems. EJDZ-10 electronic voltage transformer can be used with digital instrument, microcomputer measurement and protection device to realize multiple functions such as measurement, measurement and protection of line voltage. Since the output of the electronic voltage transformer is a small signal, it can be directly connected to the secondary device without secondary conversion. It conforms to the technical specifications of the first and second integration of the national power distribution equipment.

## Type Designation



## Product functions

- The product is based on the principle of resistor divider, and the output signal is a voltage proportional to the voltage of the system under test.
- Since there is no iron core, there is no magnetic saturation in the whole measurement range, and the output has linear characteristics and high measurement accuracy.
- There is no large current in the secondary short circuit at the output of the voltage transformer, which eliminates the major troubles in the operation of the power system and provides a reliable guarantee for the safety of operators and equipment.

## Working condition

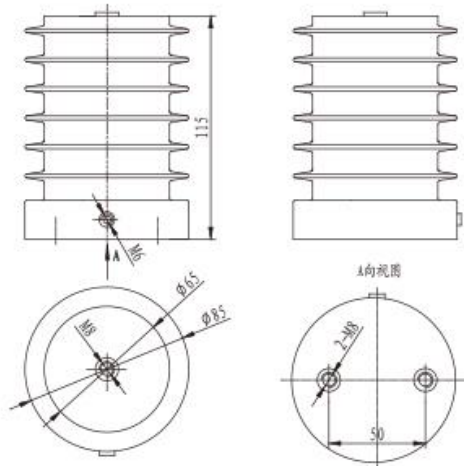
Ambient temperature	40 °C—70 °C	Altitude temperature	≤1000 m
Daily average temperature	≤40 °C	Daily average temperature	90%

## Technical parameters

Voltage level	10 kV	Rated frequency	50 Hz
Power frequency withstand voltage	42 kV/1min	Lightning impulse withstand voltage	75 kV
Partial Discharge	≤10 pC	Rated primary voltage	10 kV/√3
Load impedance	≥2 MΩ	Rated secondary output	3.25V/√3, 4V/√3, 6.5V/√3
Accuracy level	measuring	Executive standard	IEC60044-7 ,

				GB/T20840.7
	Protection	3P,6P		Yes

### Outline



### Diagrams

