

## JZW-10R 型电压互感器

### Type JZW-10R voltage transformers

#### 型号及含义 (Model and meaning)



#### 技术参数 (Technical date)

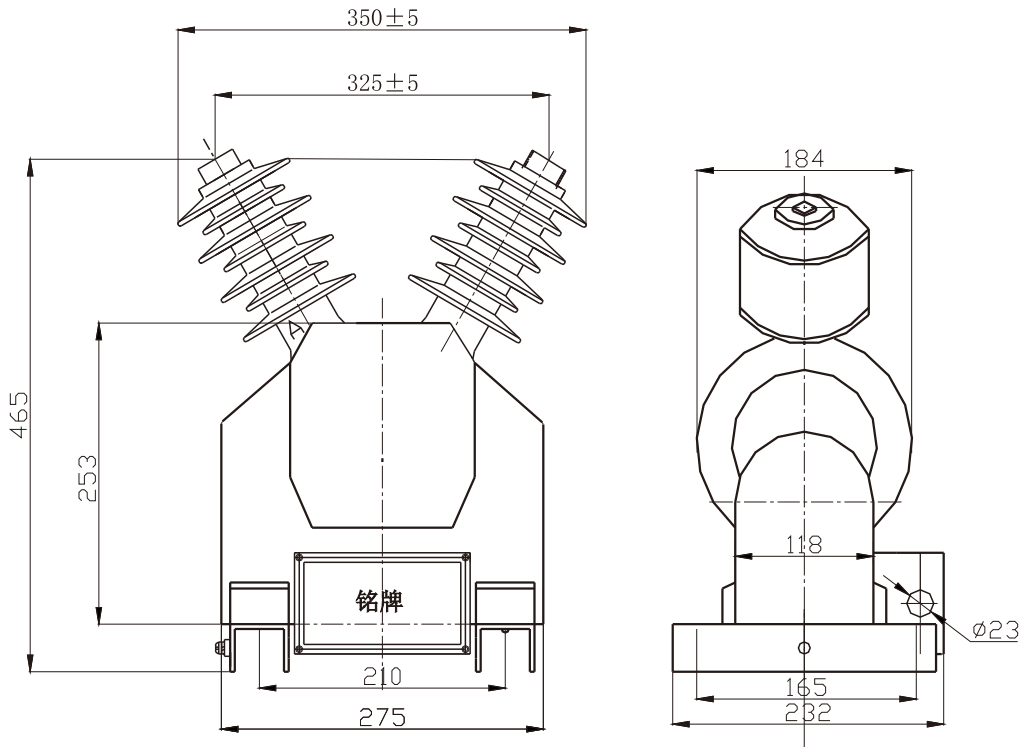
- 产品性能符合标准  
GB20840.1 GB20840.3  
IEC61869-1 IEC61869-3
- 额定绝缘水平 12/42/75 kV
- 额定频率50Hz或60Hz
- 环境温度-25°C ~ 40°C
- 海拔 海平面上1000m
- 户内装置
- The voltage transformers are in accordance with  
GB20840.1 GB20840.3  
IEC61869-1 IEC61869-3 standards
- Rated insulation level 12/42/75 kV
- Rated frequency 50Hz or 60Hz
- Ambient temperature -25°C ~ 40°C
- Altitude up to 1000m above sea level
- Indoor device

额定电压比 ( kV ) Rated transformation ratio	准确级组合 Accuracy classes combination	额定输出(VA) Rated output			热极限输出 (VA) Limiting therma output
		0.2	0.5	3	
10/0.1 10/0.1/0.22	0.2,0.5,3	30	100	200	900

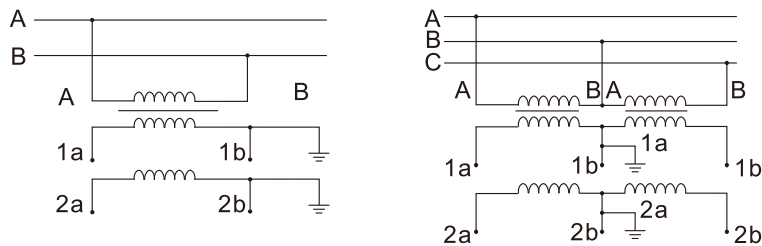
注：如用户要求的参数与上列不同，可协商解决。

Note: If user's date is different from the above-mentioned scope ,they may be an negotiated settlement

## 外形尺寸图 (Overall dimensions)



## 接线图 (Wiring diagram)



## 注意事项 (Matters needing attention)

电压互感器二次绕组不得短路, 否则互感器将被烧毁。

重复工频耐压实验, 应在规定的试验电压值的85%下进行。

Voltage transformer secondary winding short circuit two shall not, otherwise the transformer will be burned.

Repeated power frequency withstand voltage test, should in the test voltage specified value 85%.

## JZXW-10 型电压互感器

### Type JZXW-10 voltage transformers

#### 型号及含义 (Model and meaning)



#### 技术参数 (Technical data)

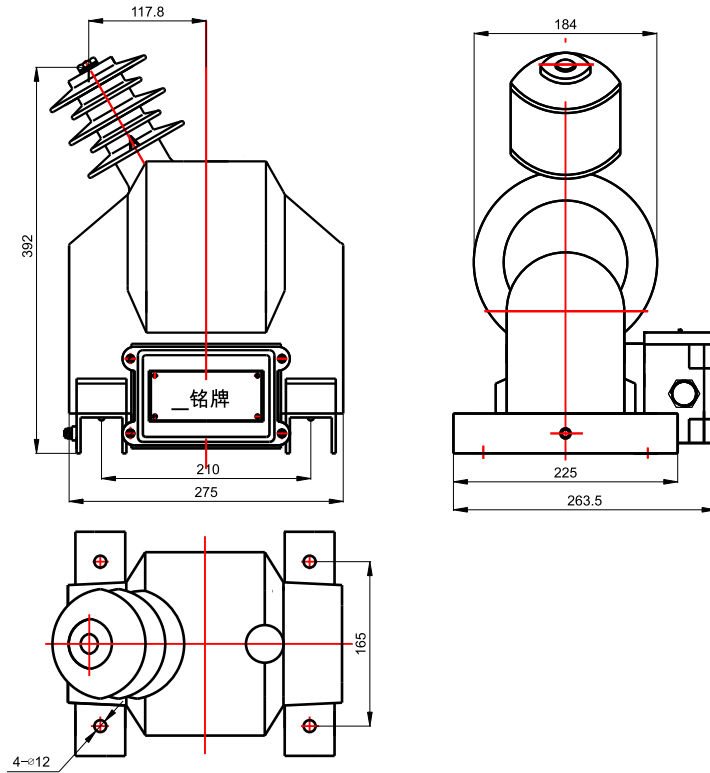
- 产品性能符合标准  
GB20840.1 GB20840.3  
IEC61869-1 IEC61869-3
- 额定绝缘水平 12/42/75 kV
- 额定频率50Hz或60Hz
- 环境温度-25℃~40℃
- 海拔 海平面上1000m
- 户内装置
- The voltage transformers are in accordance with  
GB20840.1 GB20840.3  
IEC61869-1 IEC61869-3 standards
- Rated insulation level 12/42/75 kV
- Rated frequency 50Hz or 60Hz
- Ambient temperature -25℃~40℃
- Altitude up to 1000m above sea level
- Indoor device

额定电压比 (kV) Rated transformation ratio	准确级组合 Accuracy classes combination	额定输出(VA) Rated output				热极限输出 (VA) Limiting thermal output
		0.2	0.5	1.0	6P	
10/√3/0.1/√3/0.1/3 10√3/0.1/√3/0.1√3/0.1/3	0.2/6P,0.5/6P, 1.0/6P 0.2/0.5/6P	45	80	120	100	900

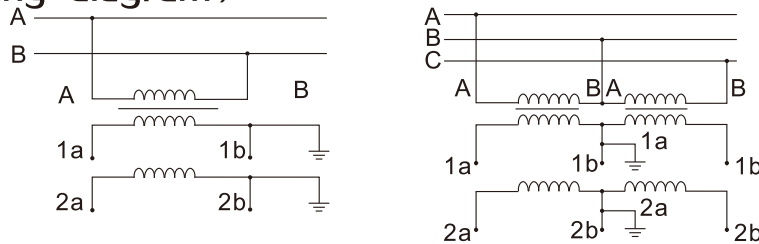
注：如用户要求的参数与上列不同，可协商解决。

Note: If user's data is different from the above-mentioned scope, they may be an negotiated settlement

### 外形尺寸图 (Overall dimensions)



### 接线图 (Wiring diagram)



### 注意事项 (Matters needing attention)

电压互感器二次绕组不得短路, 否则互感器将被烧毁。

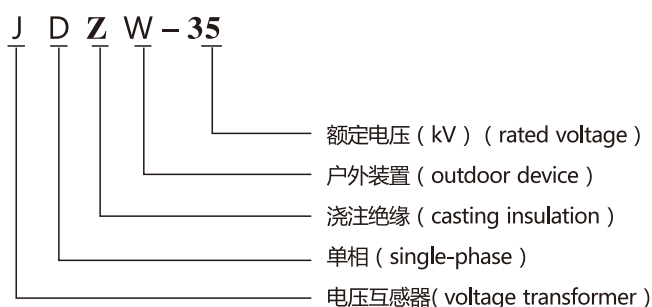
重复工频耐压实验, 应在规定的试验电压值的85%下进行。

Voltage transformer secondary winding short circuit two shall not, otherwise the transformer will be burned.

Repeated power frequency withstand voltage test, should in the test voltage specified value 85%.

## JDZW-35 型电压互感器 Type JDZW-35 voltage transformers

### 型号及含义 (Model and meaning)



### 技术参数 (Technical date)

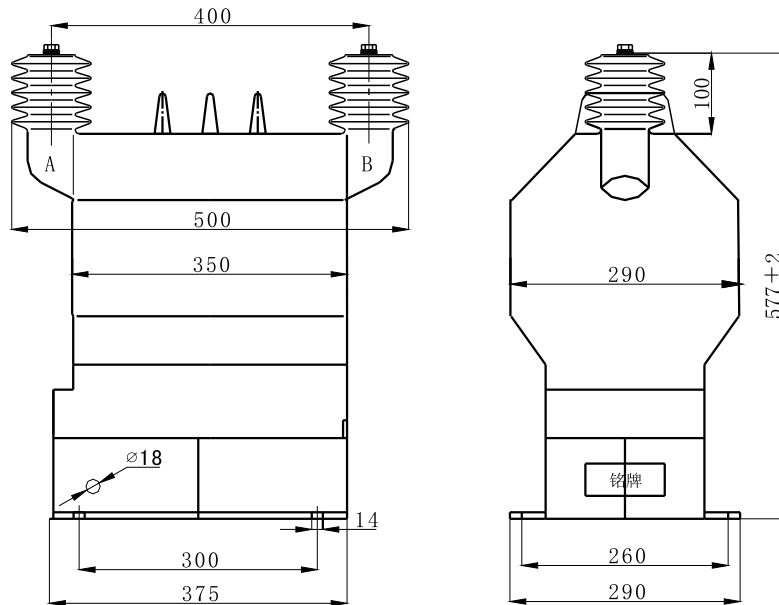
- 产品性能符合标准  
 GB20840.1 GB20840.3  
 IEC61869-1 IEC61869-3
- The voltage transformers are in accordance with  
 GB20840.1 GB20840.3  
 IEC61869-1 IEC61869-3 standards
- 额定绝缘水平 40.5/95/200 kV
- Rated insulation level 40.5/95/200 kV
- 额定频率50Hz或60Hz
- Rated frequency 50Hz or 60Hz
- 环境温度-25℃~40℃
- Ambient temperature -25℃~40℃
- 海拔 海平面上1000m
- Altitude up to 1000m above sea level
- 户内装置
- Indoor device

额定电压比 (kV) Rated transformation ratio	准确级组合 Accuracy classes combination	额定输出(VA) Rated output			热极限输出 (VA) Limiting therma output
		0.2	0.5	1.0	
35/0.1 30/0.1	0.2,0.5,1.0	45	80	120	900

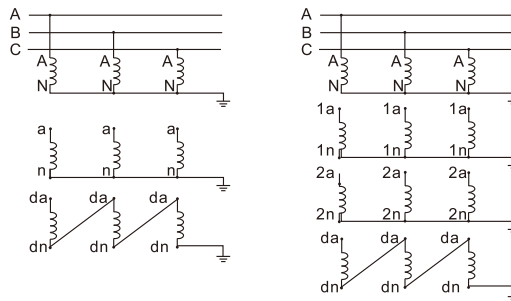
注：如用户要求的参数与上列不同，可协商解决。

Note: If user's date is different from the above-mentioned scope ,they may be an negotiated settlement

### 外形尺寸图 (Overall dimensions)



### 接线图 (Wiring diagram)



### 注意事项 (Matters needing attention)

电压互感器二次绕组不得短路, 否则互感器将被烧毁。

重复工频耐压实验, 应在规定的试验电压值的85%下进行。

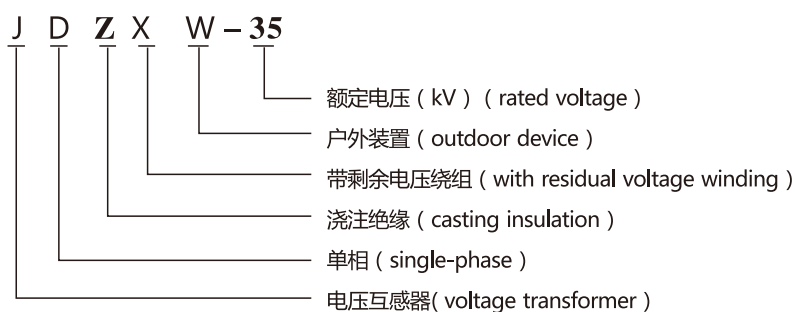
Voltage transformer secondary winding short circuit two shall not, otherwise the transformer will be burned.

Repeated power frequency withstand voltage test, should in the test voltage specified value 85%.

## JDZXW-35 型电压互感器

### Type JDZXW-35 voltage transformers

#### 型号及含义 (Model and meaning)



#### 技术参数 (Technical date)

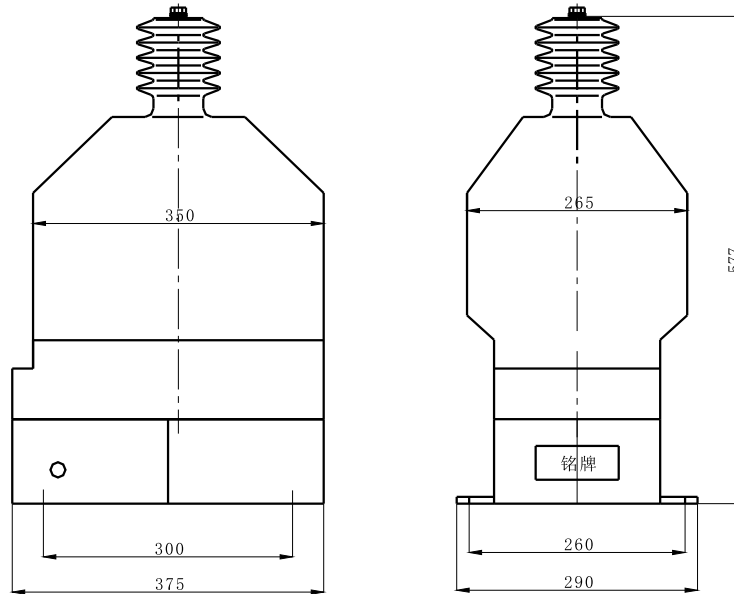
- 产品性能符合标准 GB20840.1 GB20840.3 IEC61869-1 IEC61869-3
- 额定绝缘水平 40.5/95/200 kV
- 额定频率 50Hz 或 60Hz
- 环境温度 -25°C ~ 40°C
- 海拔 海平面上 1000m
- 户内装置
- The voltage transformers are in accordance with GB20840.1 GB20840.3 IEC61869-1 IEC61869-3 standards
- Rated insulation level 40.5/95/200 kV
- Rated frequency 50Hz or 60Hz
- Ambient temperature -25°C ~ 40°C
- Altitude up to 1000m above sea level
- Indoor device

额定电压比 (kV) Rated transformation ratio	准确级组合 Accuracy classes combination	额定输出 (VA) Rated output				热极限输出 (VA) Limiting thermal output
		0.2	0.5	1.0	6P	
35/√3/0.1/√3/0.1/3 30/√3/0.1/√3/0.1/3	0.2/6P, 0.5/6P, 1.0/6P	45	80	120	100	900
35/√3/0.1/√3/0.1/√3/0.1/3 30/√3/0.1/√3/0.1/√3/0.1/3	0.2/0.5/3P(6P)	30	80	100		

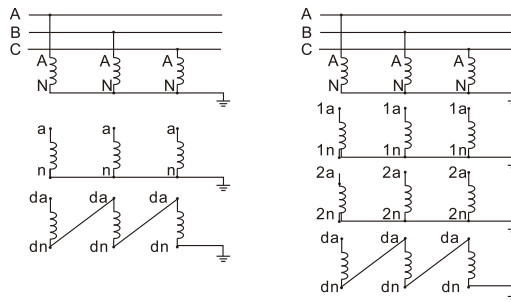
注：如用户要求的参数与上列不同，可协商解决。

Note: If user's data is different from the above-mentioned scope, they may be an negotiated settlement

## 外形尺寸图 (Overall dimensions)



## 接线图 (Wiring diagram)



## 注意事项 (Matters needing attention)

电压互感器二次绕组不得短路, 否则互感器将被烧毁。

重复工频耐压实验, 应在规定的试验电压值的85%下进行。

Voltage transformer secondary winding short circuit two shall not, otherwise the transformer will be burned.

Repeated power frequency withstand voltage test, should in the test voltage specified value 85%.