



LMZ(J)-0.5 (0.66) (5-100A)

LMZ(J)1-0.5 (0.66) (20-800A)

LMZ(J)1-0.5 (0.66) (5-300A)

LMZ1D

LMZ(J)-0.5 (0.66) (15-200A)

LMZ(J)1-0.5 (0.66) (500-600A)

LMZ2D

LMZ(J)-0.5 (0.66) (5-300A)

LMZ(J)1-0.5 (0.66) (800A)

LMZ(J)-0.5 (0.66) (40-400A)

LMZ1-0.66, LMZ1-0.5, LMZ(J) 1-0.5 Series indoor, fully sealed, casting type low voltage CT

Application scope

The current transformer is busbar type casting insulation indoor type products, Applied to ac 50hz, 500 v and below circuit, current, power, and in the power measurement and relay protection。

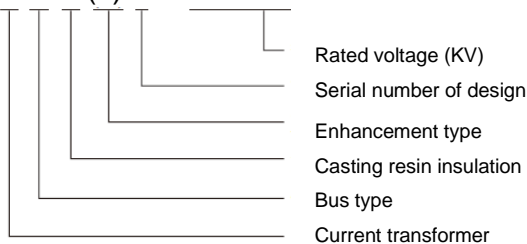
Products in line with the mutual - 1:2003 and standards GB1208-2006 "current transformer"

This type of current transformer can replace LQ - 0.5, LQG LYM - 0.5 type scheme - 0.5 (750-3000 A) current transformer。With heat resistance, moisture, and other functions.

This type of transformer can be widely used in various draw-out, fixed panel, hybrid installation type low voltage power distribution cabinet, etc.

Type designation

LMZ(J) 1 - 0.5 (0.66)

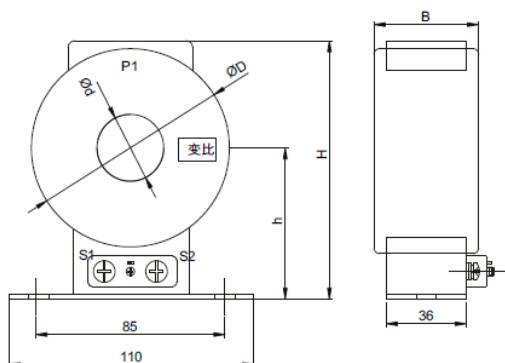


The normal working conditions and installation conditions

- The installation place: Indoor
- Ambient temperature: -5°C~40°C
- Ambient humidity: Relative humidity is more than 80%
- Altitude: Altitude up to 1000 above sea level
- Atmosphere condition: No serious impurity in the atmosphere

Main technical parameters

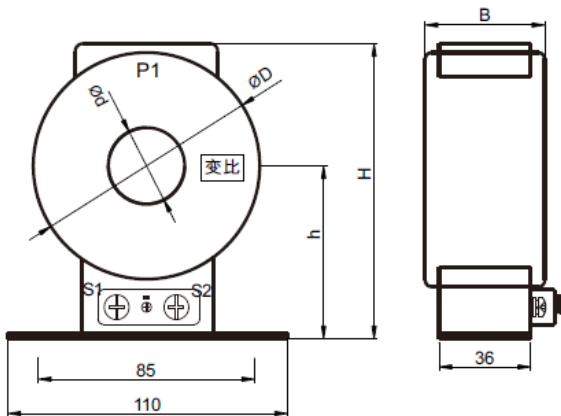
- Rated insulation level: 0.72/3kV
- Rated frequency: 50 or 60Hz
- Power factor of load: COSΦ0.8 lagging
- Rated secondary current: 5A or 1A



Rated ratio (A)	Rated burden (VA)					Through core winding
	1	0.5	0.5S	0.2	0.2S	
20/5	7.5	5	5	5	2.5	5
30/5	7.5	5	5	5	2.5	5
40/5	7.5	5	5	5	2.5	5
50/5	7.5	5	5	5	2.5	2
75/5	7.5	5	5	5	2.5	2
100/5	7.5	5	5	5	2.5	1
150/5	7.5	5	5	5	2.5	1
200/5	7.5	5	5	5	2.5	1
250/5	7.5	5	5	5	2.5	1
300/5	7.5	5	5	5	2.5	1
400/5	7.5	5	5	5	2.5	1
500/5	10	10	5	5	2.5	1
600/5	10	10	5	5	2.5	1
750/5	10	10	5	5	2.5	1
800/5	10	10	5	5	2.5	1
1000/5	30	20	10	10	5	1
1200/5	30	20	10	10	5	1
1500/5	30	20	10	10	5	1
2000/5	30	20	10	10	5	1
3000/5	30	20	10	10	5	1
4000/5	30	25	15	15	10	1
5000/5	30	25	15	15	10	1
20/1	7.5	5	5	5	2.5	5
30/1	7.5	5	5	5	2.5	5
40/1	7.5	5	5	5	2.5	5
50/1	7.5	5	5	5	2.5	2
75/1	7.5	5	5	5	2.5	2
100/1	7.5	5	5	5	2.5	1
150/1	7.5	5	5	5	2.5	1
200/1	7.5	5	5	5	2.5	1
250/1	7.5	5	5	5	2.5	1
300/1	7.5	5	5	5	2.5	1
400/1	7.5	5	5	5	2.5	1
500/1	10	10	5	5	2.5	1
600/1	10	10	5	5	2.5	1
750/1	10	10	5	5	2.5	1
800/1	10	10	5	5	2.5	1
1000/1	30	20	10	10	5	1

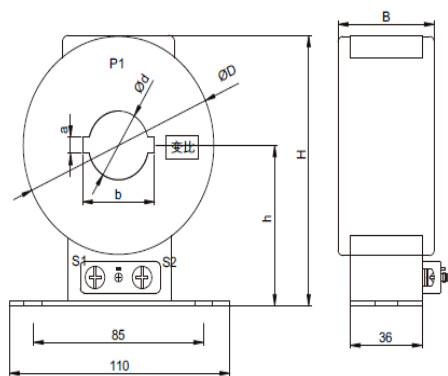
1200/1	30	20	10	10	5	1
1500/1	30	20	10	10	5	1
2000/1	30	20	10	10	5	1
3000/1	30	20	10	10	5	1
4000/1	30	25	15	15	10	1
5000/1	30	25	15	15	10	1

Type	Size Specification	Overall dimensions				
		H	h	ØD	Ød	B
LMZ(J)1-0.5(0.66)(5-100A)	Ø20;Ø30	113	68	89	20;30	47
LMZ(J)1-0.5(0.66)(15-200A)						
LMZ(J)1-0.5(0.66)(5-300A)	Ø35	118	70	91	35	
LMZ(J)1-0.5(0.66)(40-400A)	Ø45	120	70	93.5	45	



Rated ratio (A)	Rated burden (VA)					Through core winding
	1	0.5	0.5S	0.2	0.2S	
200/5	7.5	5	5	2.5		1
250/5	7.5	5	5	2.5		1
300/5	7.5	5	5	2.5		1
400/5	7.5	5	5	2.5		1
500/5	10	10	5	5	2.5	1
600/5	10	10	5	5	2.5	1
750/5	10	10	5	5	2.5	1
800/5	10	10	5	5	2.5	1
200/1	7.5	5	5	2.5		1
250/1	7.5	5	5	2.5		1
300/1	7.5	5	5	2.5		1
400/1	7.5	5	5	2.5		1
500/1	10	10	5	5	2.5	1
600/1	10	10	5	5	2.5	1
750/1	10	10	5	5	2.5	1
800/1	10	10	5	5	2.5	1

Type	Size Specification	Overall dimensions				
		H	h	ØD	Ød	B
LMZ(J)1-0.5(0.66)(20-800A)	Ø50	155	90	125	54	55
	Ø60	146	85	104	60	50
	Ø70	158	104	155	74	55



Rated ratio (A)	Rated burden (VA)					Through core winding
	1	0.5	0.5S	0.2	0.2S	
20/5	7.5	5	5	5	2.5	5
30/5	7.5	5	5	5	2.5	5
40/5	7.5	5	5	5	2.5	5
50/5	7.5	5	5	5	2.5	2
75/5	7.5	5	5	5	2.5	2
100/5	7.5	5	5	5	2.5	1
150/5	7.5	5	5	5	2.5	1
200/5	7.5	5	5	5	2.5	1
250/5	7.5	5	5	5	2.5	1
300/5	7.5	5	5	5	2.5	1
400/5	7.5	5	5	5	2.5	1
500/5	10	10	5	5	2.5	1
600/5	10	10	5	5	2.5	1
750/5	10	10	5	5	2.5	1
800/5	10	10	5	5	2.5	1
1000/5	30	20	10	10	5	1
1200/5	30	20	10	10	5	1
1500/5	30	20	10	10	5	1
2000/5	30	20	10	10	5	1
3000/5	30	20	10	10	5	1
4000/5	30	25	15	15	10	1
5000/5	30	25	15	15	10	1
20/1	7.5	5	5	5	2.5	5
30/1	7.5	5	5	5	2.5	5
40/1	7.5	5	5	5	2.5	5
50/1	7.5	5	5	5	2.5	2
75/1	7.5	5	5	5	2.5	2
100/1	7.5	5	5	5	2.5	1
150/1	7.5	5	5	5	2.5	1
200/1	7.5	5	5	5	2.5	1
250/1	7.5	5	5	5	2.5	1
300/1	7.5	5	5	5	2.5	1
400/1	7.5	5	5	5	2.5	1
500/1	10	10	5	5	2.5	1

600/1	10	10	5	5	2.5	1
750/1	10	10	5	5	2.5	1
800/1	10	10	5	5	2.5	1
1000/1	30	20	10	10	5	1
1200/1	30	20	10	10	5	1
1500/1	30	20	10	10	5	1
2000/1	30	20	10	10	5	1
3000/1	30	20	10	10	5	1
4000/1	30	25	15	15	10	1
5000/1	30	25	15	15	10	1

Type	Size Specification	Overall dimensions						
		H	h	ØD	Ød	B	a	b
LMZ(J)1-0.5(0.66)(5-300A)	7XØ30	118	70	95	30	48	7	36
LMZ(J)1-0.5(0.66)(500-600A)	10.5XØ42	125.5	73	99	42	46.5	10.5	53.5
LMZ(J)1-0.5(0.66)(800A)	12XØ50	138	77	109	50	48	12	63

LMZ1D-0.66、LMZ2D-0.66、LMZ3D-0.66、LMZ4D-0.66 Series indoor, fully sealed, casting type low voltage current transformer

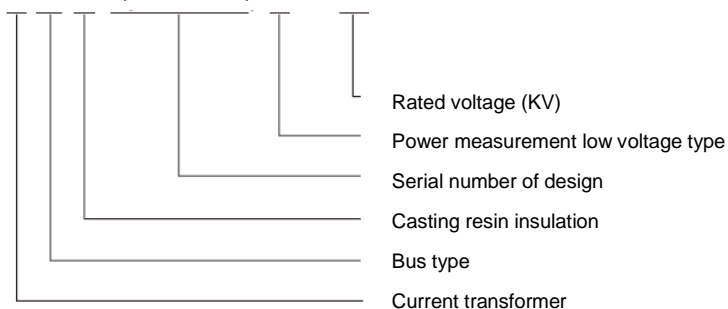
Application scope

The current transformer is busbar type casting insulation indoor type products, Suitable for ac 50 or 60 Hz, Under the rated voltage of 0.4 kV line for measurement of electric energy measurement.

Products in line with the mutual - 1:2003 and standards GB1208-2006 current transformer.

Type designation

LMZ1(2、3、4)D-0.66



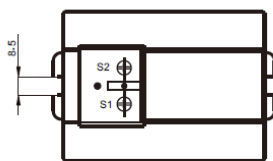
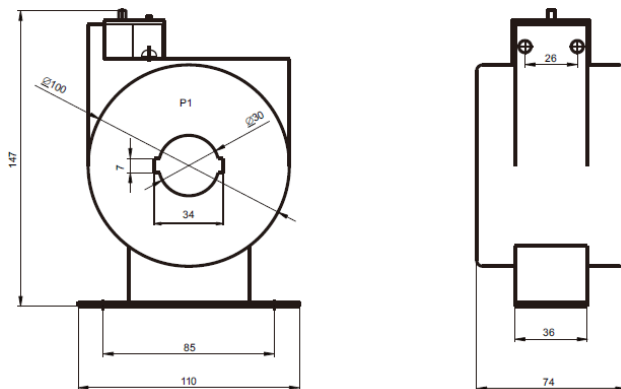
The normal working conditions and installation conditions

- The installation place: Indoor
- Ambient temperature: -20°C~40°C
- Ambient humidity: Relative humidity is more than 95%
- Altitude: Altitude up to 1000 above sea level
- Atmosphere condition: No serious impurity in the atmosphere

Main technical parameters

- Rated insulation level: 0.72/3kV
- Rated frequency: 50 or 60Hz
- Power factor of load: COSΦ0.8 lagging
- Rated secondary current: 5A or 1A
- Rated voltage: 0.4kV
- Accurate measurement: 0.2S、0.5S

Type	Maximum working voltage (V)	Rated ratio (A)	Rated burden (VA)
			0.2S、0.5S
LMZ1D	660	75~200/5	5~2.5
		75~200/1	2.5~1



Type	Maximum working	Rated ratio (A)	Rated burden (VA)
------	-----------------	-----------------	-------------------

			0.2S、0.5S
LMZ2D	660	200~600/5	10~3.75
		200~600/1	2.5~1

