

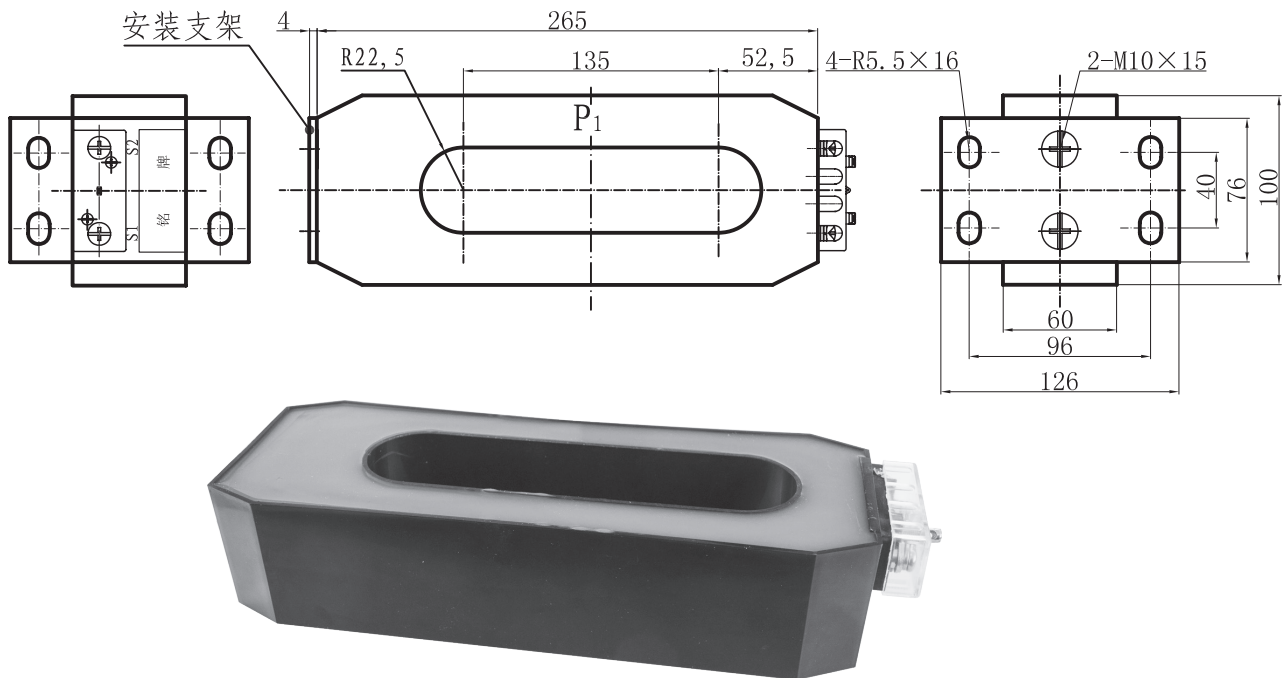
### 双电缆电流互感器

LDZC135-10 double cable current transformer

LC10□265100045060

产品类别 Product Type	测量电流互感器 Measuring CT			保护电流互感器 Protection CT	
产品代码 Product Code	LC10C265100045060			LC10P265100045060	
电流比 Ratio I1 / I2	准确级及额定负载 (VA) Acc. class and rated load			准确级及额定负载 (VA) Acc. class and rated load	
	0.2S	0.2	0.5	10P10	10P5
100/1			2.5		
150/1		1.5	2.5		2.5
200/1	1.5	2.5	3.75	1.5	3.75
300/1	2.5	3.75	5	2.5	5
400/1	3.75	5	7.5	3.75	7.5
500/1	5	7.5	10	3.75	7.5
600/1	7.5	10	12.5	5	10
100/5					
150/5			2.5		2.5
200/5		1.5	3.75	1.5	3.75
300/5	2.5	3.75	5	2.5	5
400/5	3.75	5	7.5	3.75	7.5
500/5	5	7.5	10	3.75	7.5
600/5	7.5	10	12.5	5	10

### 外形图 Outline drawing



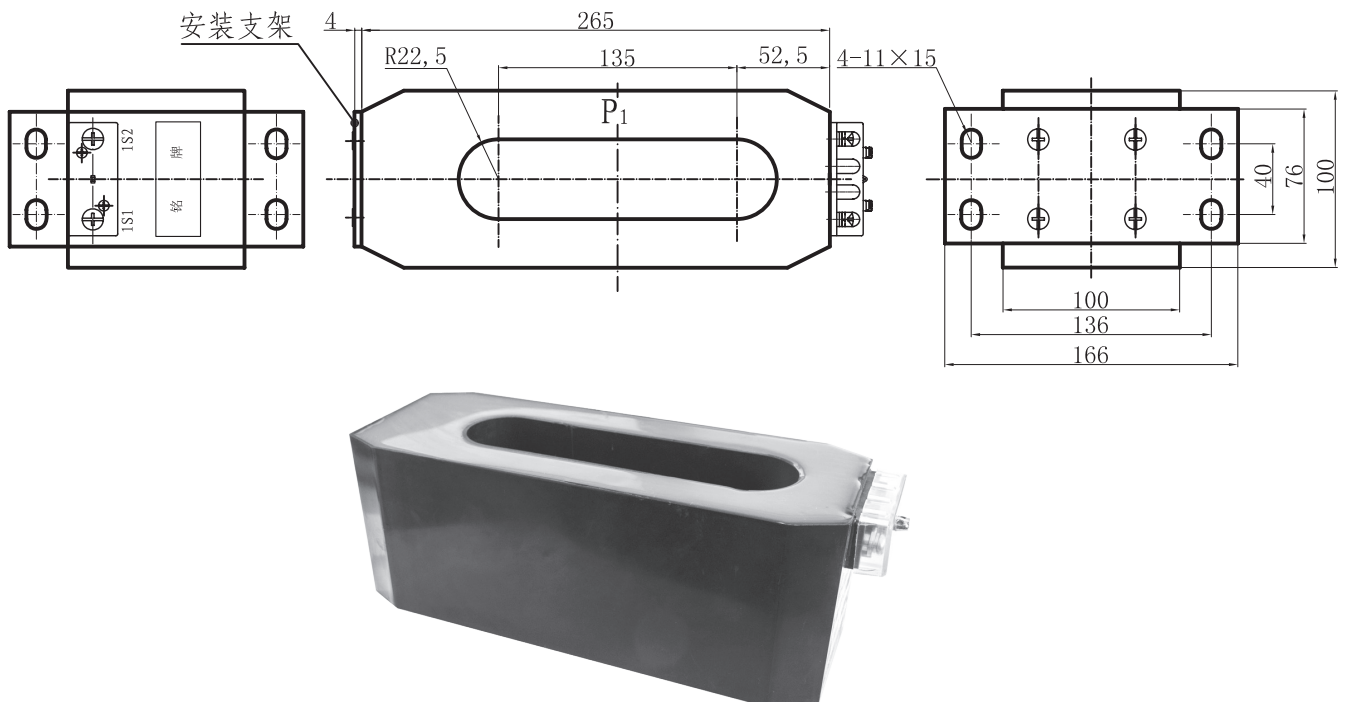
### 双电缆电流互感器

LDZC135-10 double cable current transformer

LC10□265100045100

产品类别 Product Type	测量电流互感器 Measuring CT			保护电流互感器 Protection CT			双绕组电流互感器 Double winding CT			
产品代码 Product Code	LC10C265100045100			LC10P265100045100			LC10D265100045100			
电流比 Ratio I1 / I2	准确级及额定负载 (VA) Acc. class and rated load			准确级及额定负载 (VA) Acc. class and rated load			复合准确级及额定负载 (VA) Composite acc. class and rated load			
	0.2S	0.2	0.5	10P15	10P10	10P5	0.2	0.5	10P10	10P5
100/1			2.5		1.5	2.5				1.5
150/1		1.5	2.5		1.5	3.75		1.5		2.5
200/1	2.5	3.75	5		2.5	5	1.5	2.5	1.5	3.75
300/1	3.75	5	7.5	1.5	3.75	7.5	2.5	5	2.5	5
400/1	5	7.5	10	2.5	5	10	3.75	5	2.5	5
500/1	7.5	10	12.5	2.5	7.5	15	5	7.5	3.75	7.5
600/1	10	12.5	15	3.75	10	20	7.5	10	5	10
100/5			2.5		1.5	2.5				1.5
150/5		1.5	2.5		1.5	3.75				2.5
200/5	1.5	2.5	5		2.5	5	1.5	2.5	1.5	3.75
300/5	3.75	5	7.5	1.5	3.75	7.5	2.5	5	2.5	5
400/5	5	7.5	10	2.5	5	10	3.75	5	2.5	5
500/5	7.5	10	12.5	2.5	7.5	15	5	7.5	3.75	7.5
600/5	10	12.5	15	3.75	10	20	7.5	10	5	10

### 外形图 Outline drawing



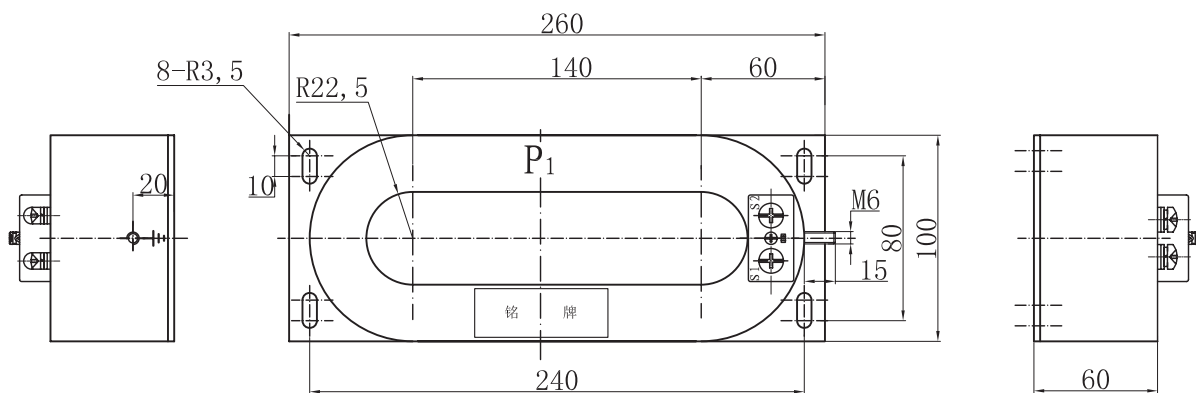
### 双电缆电流互感器

LDZC135-10 double cable current transformer

LC10□260100045060

产品类别 Product Type	测量电流互感器 Measuring CT			保护电流互感器 Protection CT	
产品代码 Product Code	LC10C260100045060			LC10P260100045060	
电流比 Ratio I1 / I2	准确级及额定负载 (VA) Acc. class and rated load			准确级及额定负载 (VA) Acc. class and rated load	
	0.2S	0.2	0.5	10P10	10P5
100/1			2.5	2	3.75
150/1	1	2.5	3.75	2.5	5
200/1	2.5	5	5	3.75	7.5
300/1	7.5	10	10	5	12.5
400/1	12.5	12.5	12.5	7.5	17.5
500/1	15	15	15	10	20
600/1	20	20	20	10	25
100/5			2.5	1.5	3.75
150/5		2.5	3.75	2.5	5
200/5	1.5	5	5	2.5	7.5
300/5	5	7.5	7.5	5	12.5
400/5	12.5	12.5	12.5	5	15
500/5	15	15	15	7.5	17.5
600/5	17.5	17.5	17.5	7.5	20

### 外形图 Outline drawing



双电缆电流互感器

LDZC135-10 double cable current transformer

LC10□260100045100

产品类别 Product Type	测量电流互感器 Measuring CT			保护电流互感器 Protection CT			双绕组电流互感器 Double winding CT			
产品代码 Product Code	LC10C260100045100			LC10P260100045100			LC10D260100045100			
电流比 Ratio I1 / I2	准确级及额定负载 (VA) Acc. class and rated load			准确级及额定负载 (VA) Acc. class and rated load			复合准确级及额定负载 (VA) Composite acc. class and rated load			
	0.2S	0.2	0.5	10P15	10P10	10P5	0.2	0.5	10P10	10P5
100/1			2.5		1.5	2.5				1.5
150/1		1.5	2.5		1.5	3.75		1.5		2.5
200/1	2.5	3.75	5		2.5	5	1.5	2.5	1.5	3.75
300/1	3.75	5	7.5	1.5	3.75	7.5	2.5	5	2.5	5
400/1	5	7.5	10	2.5	5	10	3.75	5	2.5	5
500/1	7.5	10	12.5	2.5	7.5	15	5	7.5	3.75	7.5
600/1	10	12.5	15	3.75	10	20	7.5	10	5	10
100/5			2.5		1.5	2.5				1.5
150/5		1.5	2.5		1.5	3.75				2.5
200/5	1.5	2.5	5		2.5	5	1.5	2.5	1.5	3.75
300/5	3.75	5	7.5	1.5	3.75	7.5	2.5	5	2.5	5
400/5	5	7.5	10	2.5	5	10	3.75	5	2.5	5
500/5	7.5	10	12.5	2.5	7.5	15	5	7.5	3.75	7.5
600/5	10	12.5	15	3.75	10	20	7.5	10	5	10

外形图 Outline drawing

