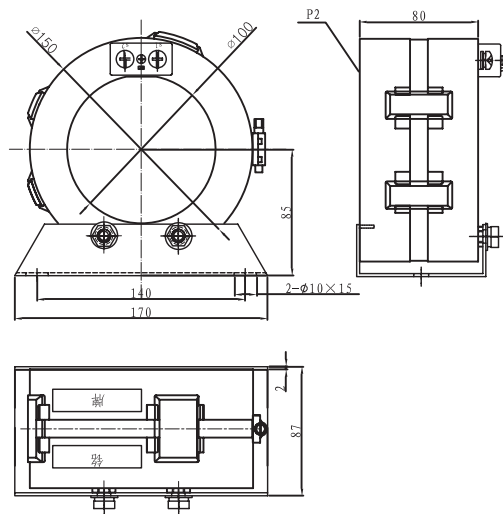


LXZK 零序电流互感器
 LXZK zero sequence current transformer
 LK10X150100080

产品类别 Product Type	测量电流互感器 Measuring CT			保护电流互感器 Protection CT	
产品代码 Product Code	LK10X150100080			LK10X150100080	
电流比 Ratio I1 / I2	准确级及额定负载 (VA) Acc. class and rated load			准确级及额定负载 (VA) Acc. class and rated load	
	0.5	1	3	10P10	10P5
20/1					1
30/1					1.5
40/1			1	1	1.5
50/1		1.5	2.5	1	2.5
75/1		2.5	2.5	1.5	3.75
100/1		2.5	3.75	2.5	5
150/1	2.5	3.75	5	3.75	7.5
200/1	3.75	5	7.5	5	10
300/1	5	7.5	10	7.5	15
400/1	7.5	10	12.5	10	20
500/1	10	12.5	15	12.5	25
600/1	12.5	15	20	15	30
20/5					1
30/5					1.5
40/5			1	1	1.5
50/5		1.5	2.5	1	2.5
75/5		2.5	2.5	1.5	3.75
100/5		2.5	3.75	2.5	5
150/5		3.75	5	3.75	7.5
200/5	2.5	5	7.5	5	10
300/5	3.75	7.5	10	7.5	15
400/5	5	10	12.5	10	20
500/5	7.5	12.5	15	12.5	25
600/5	10	15	20	15	30

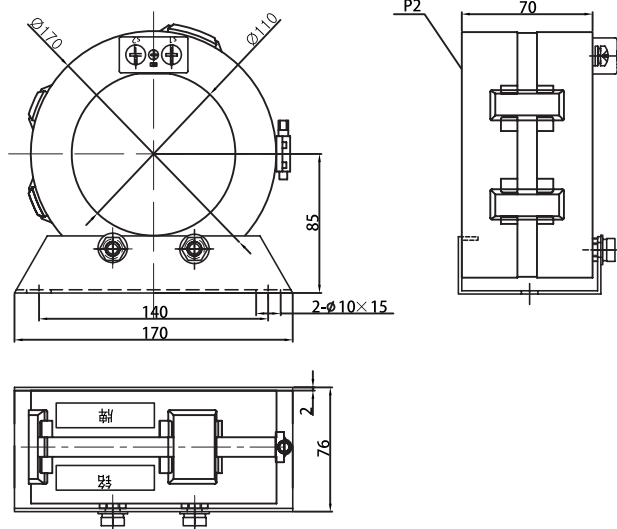
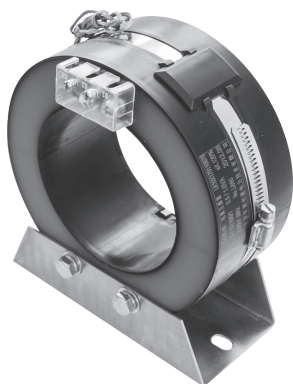
外形图 Outline drawing



LXZK 零序电流互感器
 LXZK zero sequence current transformer
 LK10X170110070

产品类别 Product Type	测量电流互感器 Measuring CT			保护电流互感器 Protection CT	
产品代码 Product Code	LK10X170110070			LK10X170110070	
电流比 Ratio I1 / I2	准确级及额定负载 (VA) Acc. class and rated load			准确级及额定负载 (VA) Acc. class and rated load	
	0.5	1	3	10P10	10P5
20/1					1
30/1			1	1	1.5
40/1			1.5	1	2.5
50/1		1.5	2.5	1.5	2.5
75/1		2.5	3.75	2.5	5
100/1		3.75	5	2.5	5
150/1	3.75	5	7.5	3.75	7.5
200/1	5	7.5	10	5	10
300/1	7.5	10	12.5	7.5	15
400/1	10	12.5	15	10	20
500/1	12.5	15	20	12.5	25
600/1	15	20	25	15	30
20/5					1
30/5			1	1	1.5
40/5			1.5	1	2.5
50/5		1.5	2.5	1.5	2.5
75/5		2.5	3.75	2.5	5
100/5		3.75	5	2.5	5
150/5	3.75	5	7.5	3.75	7.5
200/5	5	7.5	10	5	10
300/5	7.5	10	12.5	7.5	15
400/5	10	12.5	15	10	20
500/5	12.5	15	20	12.5	25
600/5	15	20	25	15	30

外形图 Outline drawing



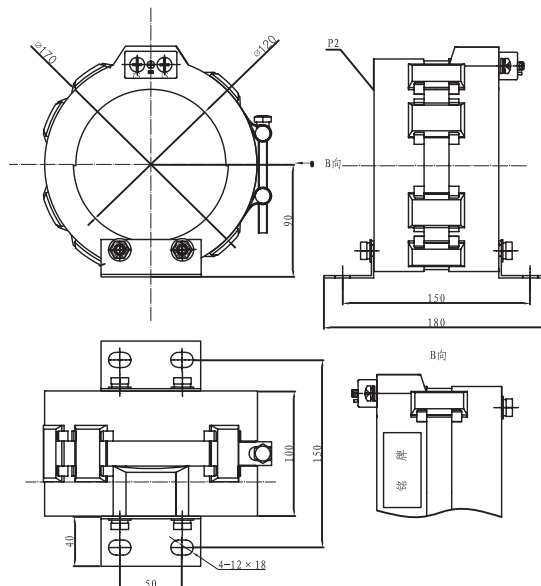
LXZK 零序电流互感器

LXZK zero sequence current transformer

LK10X170120100

产品类别 Product Type	测量电流互感器 Measuring CT			保护电流互感器 Protection CT	
产品代码 Product Code	LK10X170120100			LK10X170120100	
电流比 Ratio I1 / I2	准确级及额定负载 (VA) Acc. class and rated load			准确级及额定负载 (VA) Acc. class and rated load	
	0.5	1	3	10P10	10P5
20/1			0.5		
30/1			1		1
40/1			1.5	1	1.5
50/1		1.5	2.5	1	2.5
75/1		2.5	3.75	2.5	5
100/1		3.75	5	2.5	5
150/1	2.5	5	7.5	3.75	7.5
200/1	5	7.5	10	5	10
300/1	7.5	10	12.5	7.5	15
400/1	10	12.5	15	10	20
500/1	12.5	15	20	12.5	25
600/1	15	20	25	15	30
30/5					1
40/5				1	1.5
50/5			2.5	1	2.5
75/5		1.5	3.75	2.5	5
100/5		2.5	5	2.5	5
150/5	2.5	5	7.5	3.75	7.5
200/5	5	7.5	10	5	10
300/5	7.5	10	12.5	7.5	15
400/5	10	12.5	15	10	20
500/5	12.5	15	20	12.5	25
600/5	15	20	25	15	30

外形图 Outline drawing



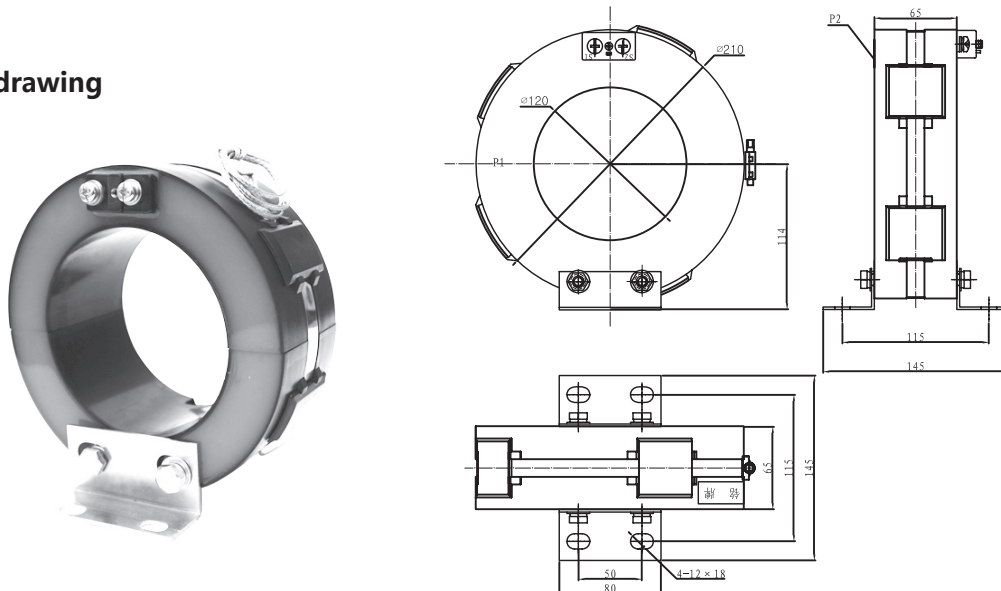
LXZK 零序电流互感器

LXZK zero sequence current transformer

LK10X210120065

产品类别 Product Type	测量电流互感器 Measuring CT			保护电流互感器 Protection CT	
产品代码 Product Code	LK10X210120065			LK10X210120065	
电流比 Ratio I1 / I2	准确级及额定负载 (VA) Acc. class and rated load			准确级及额定负载 (VA) Acc. class and rated load	
	0.5	1	3	10P10	10P5
20/1			0.5		
30/1			1		1
40/1			1.5	1	1.5
50/1		1.5	2.5	1	2.5
75/1		2.5	3.75	2.5	5
100/1		3.75	5	2.5	5
150/1	2.5	5	7.5	3.75	7.5
200/1	5	7.5	10	5	10
300/1	7.5	10	12.5	7.5	15
400/1	10	12.5	15	10	20
500/1	12.5	15	20	12.5	25
600/1	15	20	25	15	30
30/5					1
40/5				1	1.5
50/5			2.5	1	2.5
75/5		1.5	3.75	2.5	5
100/5		2.5	5	2.5	5
150/5	2.5	5	7.5	3.75	7.5
200/5	5	7.5	10	5	10
300/5	7.5	10	12.5	7.5	15
400/5	10	12.5	15	10	20
500/5	12.5	15	20	12.5	25
600/5	15	20	25	15	30

外形图 Outline drawing



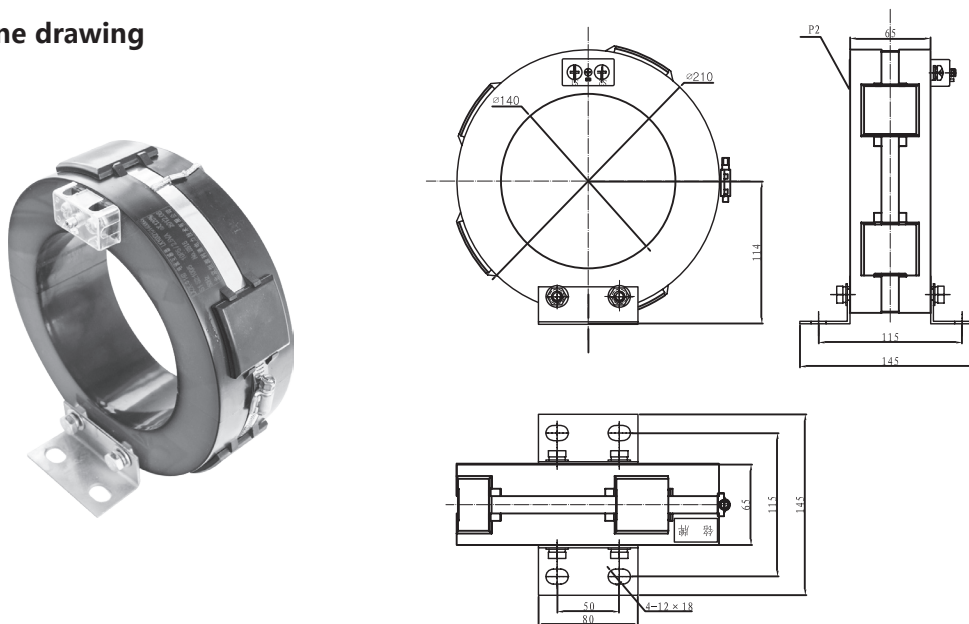
LXZK 零序电流互感器

LXZK zero sequence current transformer

LK10X210140065

产品类别 Product Type	测量电流互感器 Measuring CT			保护电流互感器 Protection CT	
产品代码 Product Code	LK10X210140065			LK10X210140065	
电流比 Ratio I1 / I2	准确级及额定负载 (VA) Acc. class and rated load			准确级及额定负载 (VA) Acc. class and rated load	
	0.5	1	3	10P10	10P5
20/1			0.2		
30/1			0.5		
40/1			1		
50/1			1.5		1
75/1		1.5	2.5	1	1.5
100/1		2.5	3.75	1.5	2.5
150/1		3.75	5	2.5	5
200/1	2.5	5	7.5	3.75	7.5
300/1	5	7.5	10	5	10
400/1	7.5	10	12.5	7.5	15
500/1	10	12.5	15	10	20
600/1	12.5	15	20	12.5	25
50/5			1.5		1
75/5		1.5	2.5	1	1.5
100/5		2.5	3.75	1.5	2.5
150/5		3.75	5	2.5	5
200/5	2.5	5	7.5	3.75	7.5
300/5	5	7.5	10	5	10
400/5	7.5	10	12.5	7.5	15
500/5	10	12.5	15	10	20
600/5	12.5	15	20	12.5	25

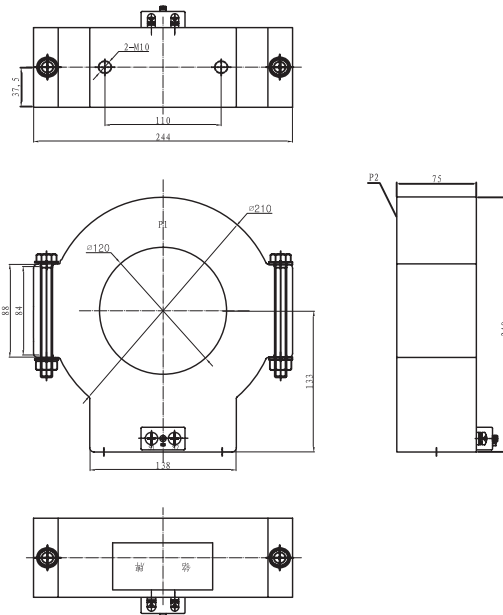
外形图 Outline drawing



LXZK 零序电流互感器
LXZK zero sequence current transformer
LK10X210120075

产品类别 Product Type	测量电流互感器 Measuring CT			保护电流互感器 Protection CT	
产品代码 Product Code	LK10X210120075			LK10X210120075	
电流比 Ratio I1 / I2	准确级及额定负载 (VA) Acc. class and rated load			准确级及额定负载 (VA) Acc. class and rated load	
	0.5	1	3	10P10	10P5
20/1					1
30/1			1	1	1.5
40/1			1.5	1	2.5
50/1		1.5	2.5	1.5	3.75
75/1		2.5	3.75	2.5	5
100/1		3.75	5	2.5	7.5
150/1	5	5	7.5	5	10
200/1	7.5	7.5	10	7.5	12.5
300/1	10	10	15	10	20
400/1	12.5	15	20	12.5	25
500/1	15	20	25	15	
600/1	20	25	30	20	
20/5					1
30/5			1	1	1.5
40/5			1.5	1	2.5
50/5		1.5	2.5	1.5	3.75
75/5		2.5	3.75	2.5	5
100/5		3.75	5	2.5	7.5
150/5	5	5	7.5	5	10
200/5	7.5	7.5	10	7.5	12.5
300/5	10	10	15	10	20
400/5	12.5	15	20	12.5	25
500/5	15	20	25	15	
600/5	20	25	30	20	

外形图 Outline drawing



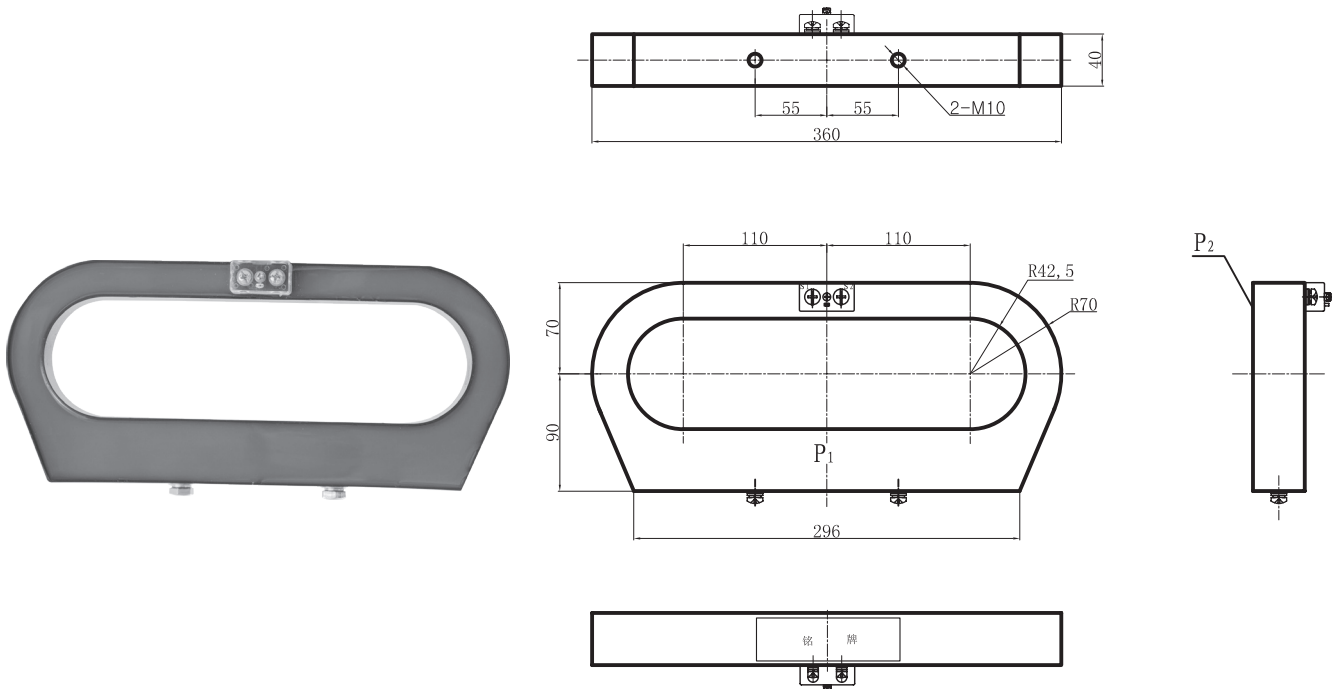
LXZ-10零序电流互感器

LXZ-10 zero sequence current transformer

LXZ110085040

产品类别 Product Type	测量电流互感器 Measuring CT			保护电流互感器 Protection CT	
产品代码 Product Code	LXZ110085040			LXZ110085040	
电流比 Ratio I1 / I2	准确级及额定负载 (VA) Acc. class and rated load			准确级及额定负载 (VA) Acc. class and rated load	
	0.5	1	3	10P10	10P5
20/1		0.1	0.2		
30/1		0.2	0.4		
40/1		0.2	0.5		
50/1		0.5	1		
75/1		1	1.5	1	1.5
100/1		1.5	1.5	1.5	2.5
150/1	1.5	2.5	2.5	1.5	3.75
200/1	2.5	3.75	3.75	2.5	5
300/1	3.75	5	5	3.75	7.5
100/5		1.5	1.5		2.5
150/5	1.5	2.5	2.5	1.5	3.75
200/5	2.5	3.75	3.75	2.5	5
300/5	3.75	5	5	3.75	7.5

外形图 Outline drawing



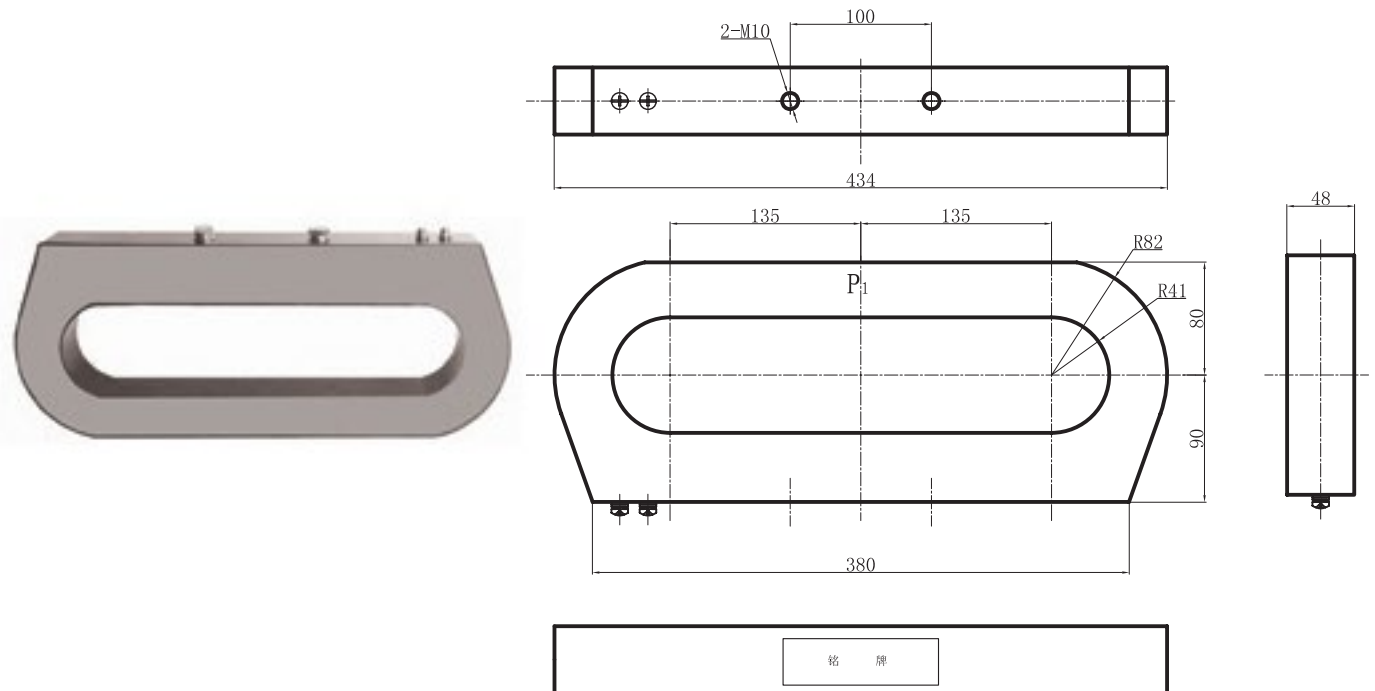
LXZ-10零序电流互感器

LXZ-10 zero sequence current transformer

LXZ135082048

产品类别 Product Type	测量电流互感器 Measuring CT			保护电流互感器 Protection CT	
产品代码 Product Code	LXZ135082048			LXZ135082048	
电流比 Ratio I1 / I2	准确级及额定负载 (VA) Acc. class and rated load			准确级及额定负载 (VA) Acc. class and rated load	
	0.5	1	3	10P10	10P5
20/1		0.5	0.5		1
30/1		0.5	1	1	1.5
40/1		1	1.5	1	2.5
50/1		1.5	1.5	1.5	2.5
75/1		2.5	2.5	2.5	3.75
100/1		3.75	5	2.5	5
150/1	1.5	5	7.5	3.75	7.5
200/1	2.5	7.5	10	5	10
300/1	3.75	10	12.5	7.5	15
100/5		3.75	5	2.5	5
150/5	1.5	5	7.5	3.75	7.5
200/5	2.5	7.5	10	5	10
300/5	3.75	10	12.5	7.5	15

外形图 Outline drawing



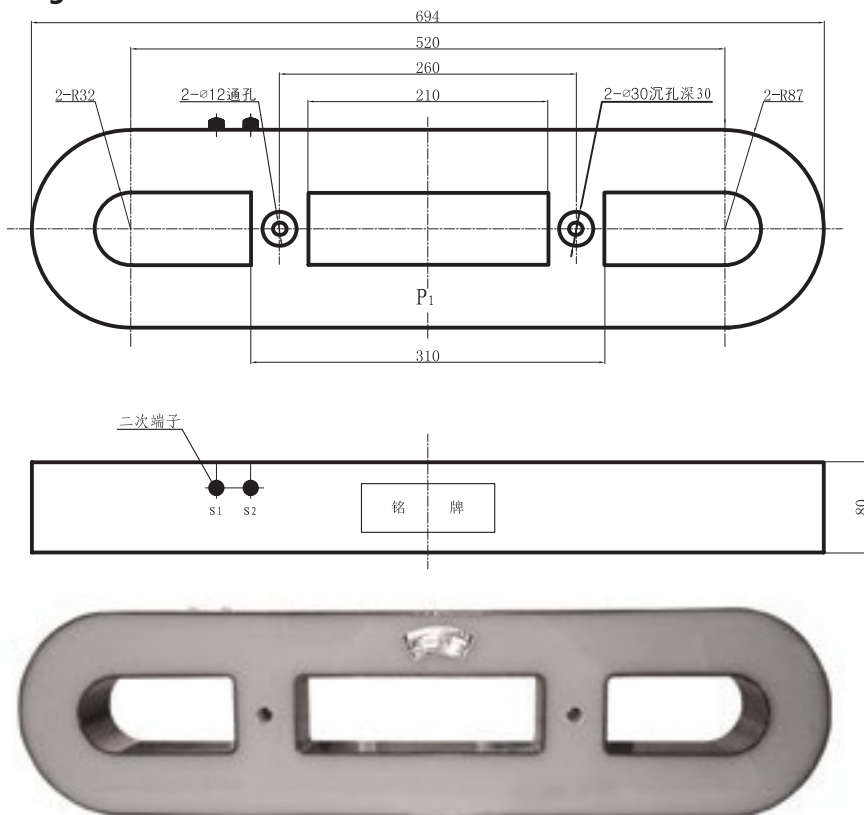
LXZ-10零序电流互感器

LXZ-10 zero sequence current transformer

LXZ260083080

产品类别 Product Type	测量电流互感器 Measuring CT			保护电流互感器 Protection CT	
产品代码 Product Code	LXZ260083080			LXZ260083080	
电流比 Ratio I1 / I2	准确级及额定负载 (VA) Acc. class and rated load			准确级及额定负载 (VA) Acc. class and rated load	
	0.5	1	3	10P10	10P5
20/1		1	1	1.5	2.5
30/1		1	1.5	1.5	3.75
40/1		1.5	2.5	2.5	5
50/1		2.5	2.5	3.75	7.5
75/1		3.75	3.75	5	10
100/1		5	5	7.5	12.5
150/1	3.75	7.5	7.5	10	15
200/1	5	10	10	12.5	20
300/1	7.5	12.5	12.5	15	25
100/5		5	5	7.5	12.5
150/5	3.75	7.5	7.5	10	15
200/5	5	10	10	12.5	20
300/5	7.5	12.5	12.5	15	25

外形图 Outline drawing



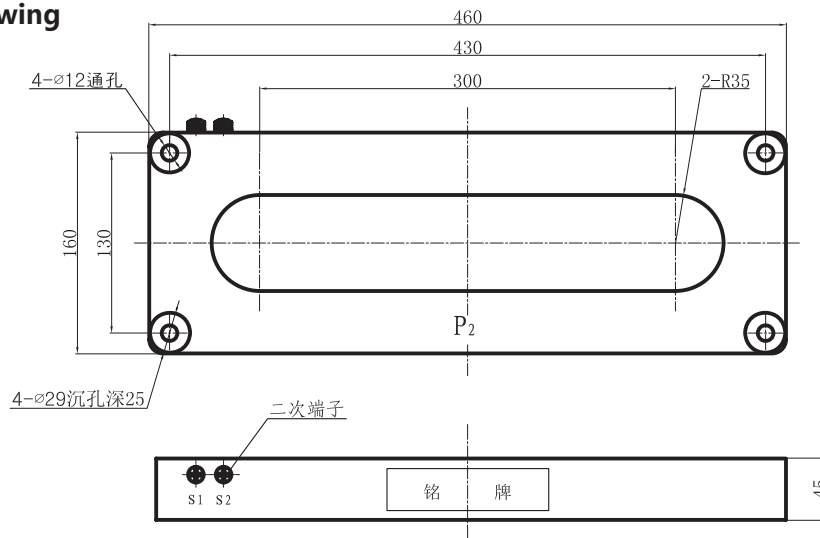
LXZ-10零序电流互感器

LXZ-10 zero sequence current transformer

LXZ150070045

产品类别 Product Type	测量电流互感器 Measuring CT			保护电流互感器 Protection CT	
产品代码 Product Code	LXZ150070045			LXZ150070045	
电流比 Ratio I1 / I2	准确级及额定负载 (VA) Acc. class and rated load			准确级及额定负载 (VA) Acc. class and rated load	
	0.5	1	3	10P10	10P5
20/1		0.5	0.5		1
30/1		0.5	1		1.5
40/1		1	1	1	1.5
50/1		1.5	1.5	1	2.5
75/1		1.5	2.5	1.5	3.75
100/1		2.5	3.75	2.5	5
150/1	1.5	3.75	5	3.75	7.5
200/1	2.5	5	7.5	5	10
300/1	3.75	7.5	10	7.5	12.5
100/5		2.5	3.75	2.5	5
150/5	1.5	3.75	5	3.75	7.5
200/5	2.5	5	7.5	5	10
300/5	3.75	7.5	10	7.5	12.5

外形图 Outline drawing



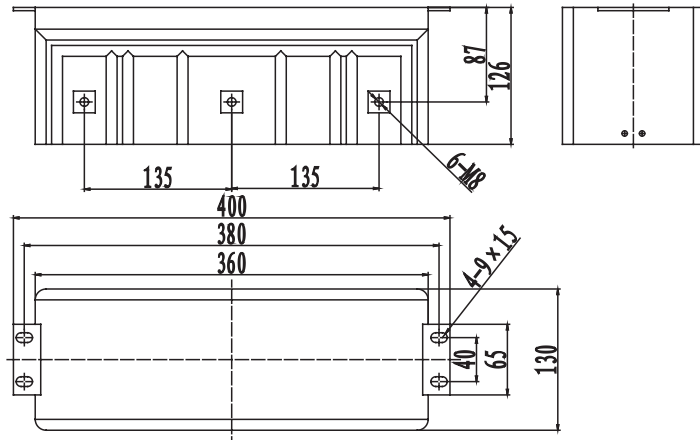
LXZ-10零序电流互感器

LXZ-10 zero sequence current transformer

LXZ135

产品类别 Product Type	测量电流互感器 Measuring CT			保护电流互感器 Protection CT	
产品代码 Product Code	LXZ135			LXZ135	
电流比 Ratio I1 / I2	准确级及额定负载 (VA) Acc. class and rated load			准确级及额定负载 (VA) Acc. class and rated load	
	0.5	1	3	10P10	10P5
20/1		0.1	0.1		1
30/1		0.2	0.5		1.5
40/1		0.5	1	1	1.5
50/1		1	1	1	2.5
75/1		1.5	1.5	1.5	3.75
100/1		2.5	2.5	1.5	5
150/1	1.5	3.75	3.75	2.5	7.5
200/1	2.5	5	5	3.75	10
300/1	3.75	7.5	7.5	5	12.5
100/5		2.5	2.5	1.5	5
150/5	1.5	3.75	3.75	2.5	7.5
200/5	2.5	5	5	3.75	10
300/5	3.75	7.5	7.5	5	12.5

外形图 Outline drawing

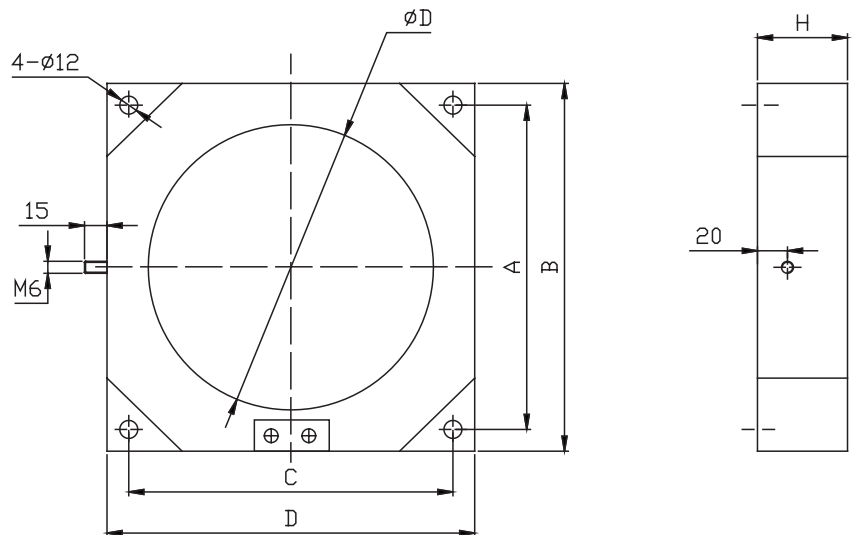
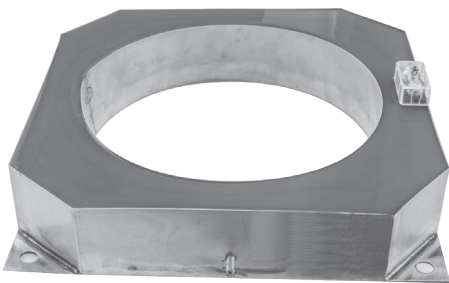


LXZ 零序电流互感器

LXZ zero sequence current transformer

产品类别 Product Type	测量电流互感器 Measuring CT			保护电流互感器 Protection CT	
产品代码 Product Code	LXZ250250180060 LXZ310310240060 LXZ370370300060			LXZ250250180060 LXZ310310240060 LXZ370370300060	
电流比 Ratio I1 / I2	准确级及额定负载 (VA) Acc. class and rated load			准确级及额定负载 (VA) Acc. class and rated load	
	0.5	1	3	10P10	10P5
20/1		0.2	0.2		
30/1		0.4	0.5		
40/1		0.6	1		
50/1		1	1		2.5
75/1		1.5	1.5	1.5	2.5
100/1		2.5	3.75	2.5	5
150/1	1.5	3.75	5	3.75	7.5
200/1	2.5	5	5	5	10
300/1	3.75	7.5	7.5	1.5	2.5
100/5		2.5	3.75	2.5	5
150/5	1.5	3.75	5	3.75	7.5
200/5	2.5	5	5	5	10
300/5	3.75	7.5	7.5	7.5	15

外形图 Outline drawing



产品代号	A (mm)	B (mm)	C (mm)	D (mm)	φD (mm)	H (mm)
LXZ- φ 180	220	250	220	250	180	60
LXZ- φ 240	280	310	280	310	240	60
LXZ- φ 300	340	370	340	370	300	60

LXZ-10 零序电流互感器

LXZ-10 zero sequence current transformer

LXZ076100060

产品类别 Product Type	测量电流互感器 Measuring CT			保护电流互感器 Protection CT	
产品代码 Product Code	LXZ076100060			LXZ076100060	
电流比 Ratio I1 / I2	准确级及额定负载 (VA) Acc. class and rated load			准确级及额定负载 (VA) Acc. class and rated load	
	0.5	1	3	10P10	10P5
20/1		0.2	0.2		
30/1		0.4	0.5		
40/1		0.6	1		
50/1		1	1		
75/1		1.5	1.5		
100/1		2.5	3.75	1.5	2.5
150/1	1.5	3.75	5	2.5	5
200/1	2.5	5	5	3.75	7.5
300/1	3.75	7.5	7.5	5	10
100/5		2.5	3.75	1.5	2.5
150/5	1.5	3.75	5	2.5	5
200/5	2.5	5	5	3.75	7.5
300/5	3.75	7.5	7.5	5	10

外形图 Outline drawing

