

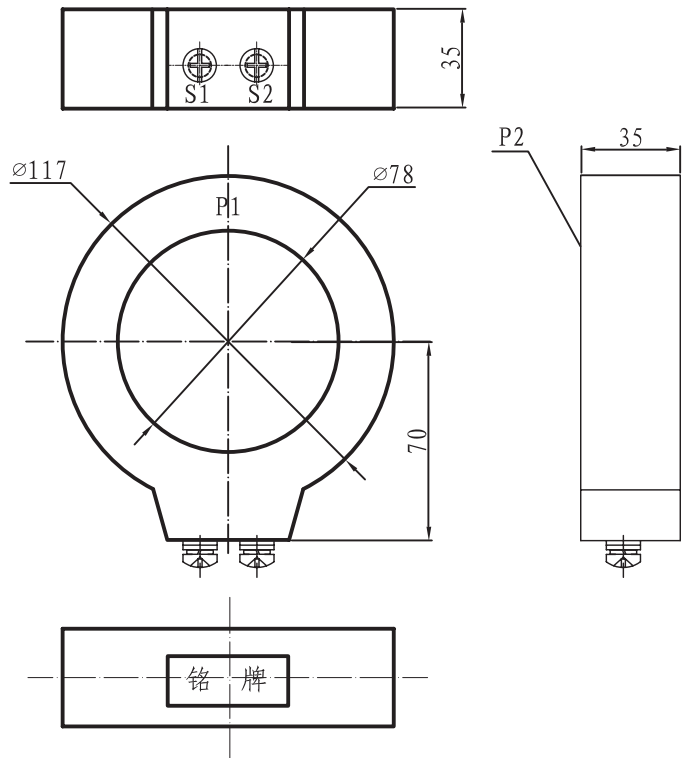
LZCT-10套管式电流互感器

LZCT-10 bushing current transformer

LT10□117078035

产品类别 Product Type	测量电流互感器 Measuring CT			保护电流互感器 Protection CT		
产品代码 Product Code	LT10C117078035			LT10P117078035		
电流比 Ratio I1 / I2	准确级及额定负载 (VA) Acc. class and rated load			准确级及额定负载 (VA) Acc. class and rated load		
	0.2S	0.2	0.5	10P15	10P10	10P5
75/1						
100/1			1.5			1.5
150/1	1	1.5	2.5		1	2.5
200/1	1.5	2.5	3.75	1	1.5	3.75
300/1	2.5	3.75	5	1.5	2.5	5
400/1	3.75	5	5	2.5	3.75	7.5
500/1	5	5	7.5	2.5	5	10
600/1	5	7.5	7.5	3.75	5	10
100/5			1.5			1.5
150/5		1.5	2.5		1	2.5
200/5	1.5	2.5	3.75	1	1.5	3.75
300/5	2.5	3.75	5	1.5	2.5	5
400/5	3.75	5	5	2.5	3.75	7.5
500/5	5	5	7.5	2.5	5	10
600/5	5	7.5	7.5	3.75	5	10

外形图 Outline drawing



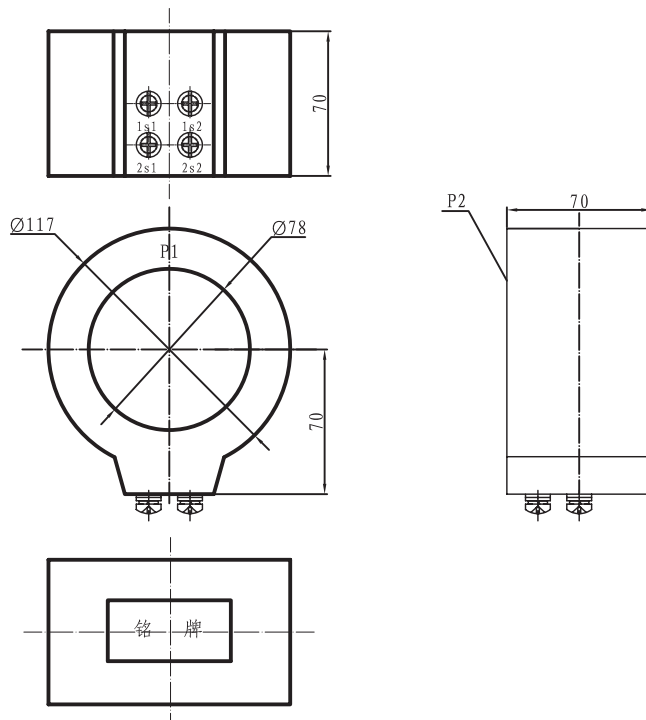
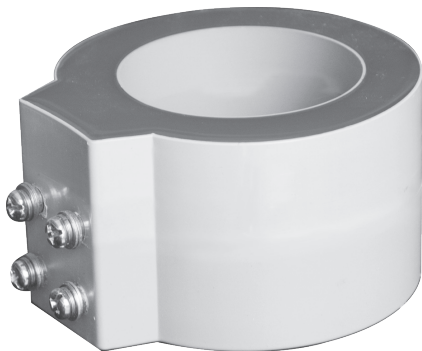
LZCT-10套管式电流互感器

LZCT-10 bushing current transformer

LT10□117078070

产品类别 Product Type	测量电流互感器 Measuring CT			保护电流互感器 Protection CT			双绕组电流互感器 Double winding CT			
产品代码 Product Code	LT10C117078070			LT10P117078070			LT10D117078070			
电流比 Ratio I1 / I2	准确级及额定负载 (VA) Acc. Class and rated load			准确级及额定负载 (VA) Acc. Class and rated load			准确级及额定负载 (VA) acc. Class and rated load			
	0.2S	0.2	0.5	10P15	10P10	10P5	0.2	0.5	10P10	10P5
40/1						1.5				
50/1		1	1		1	1.5				
75/1		1.5	1.5	1	1.5	2.5				1.5
100/1		2.5	2.5	1	1.5	3.75		1	1	2.5
150/1	2.5	3.75	3.75	1.5	2.5	5	1	1.5	1.5	3.75
200/1	3.75	5	5	2.5	3.75	7.5	1.5	2.5	2.5	5
300/1	5	7.5	7.5	3.75	5	12.5	2.5	3.75	3.75	7.5
400/1	7.5	10	10	5	7.5	15	3.75	5	3.75	7.5
500/1	10	12.5	12.5	5	10	20	5	5	5	10
600/1	12.5	15	15	7.5	12.5	25	5	7.5	7.5	15
100/5		2.5	2.5	1	1.5	3.75		1	1	2.5
150/5	1.5	3.75	3.75	1.5	2.5	5		1.5	1.5	3.75
200/5	3.75	5	5	2.5	3.75	7.5	1.5	2.5	2.5	5
300/5	5	7.5	7.5	3.75	5	12.5	2.5	3.75	3.75	7.5
400/5	7.5	10	10	5	7.5	15	3.75	5	3.75	7.5
500/5	10	12.5	12.5	5	10	20	5	5	5	10
600/5	12.5	15	15	7.5	12.5	25	5	7.5	7.5	15

外形图 Outline drawing



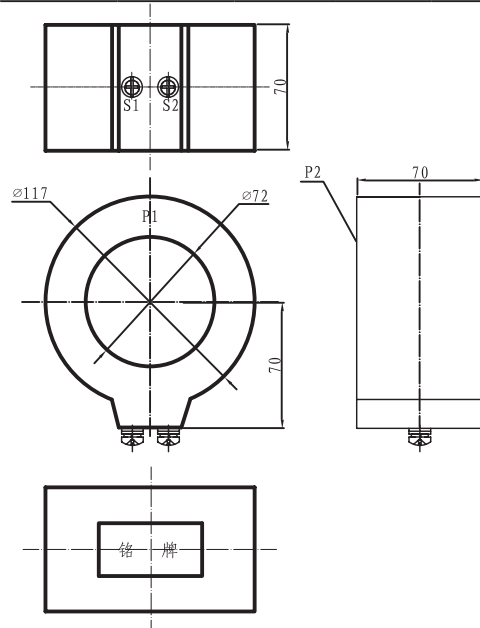
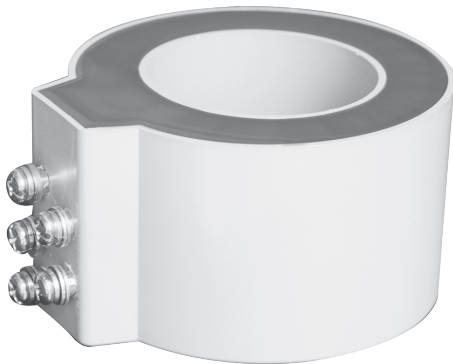
LZCT-10套管式电流互感器

LZCT-10 bushing current transformer

LT10□117072070

产品类别 Product Type	测量电流互感器 Measuring CT			保护电流互感器 Protection CT			双绕组电流互感器 Double winding CT			
产品代码 Product Code	LT10C117072070			LT10P117072070			LT10D117072070			
电流比 Ratio I1 / I2	准确级及额定负载 (VA) Acc. Class and rated load			准确级及额定负载 (VA) Acc. Class and rated load			准确级及额定负载 (VA) acc. Class and rated load			
	0.2S	0.2	0.5	10P15	10P10	10P5	0.2	0.5	10P10	10P5
30/1						1				
40/1			1			1.5				
50/1			1.5		1	2.5				
75/1		1.5	2.5	1	1.5	3.75				1.5
100/1	1.5	1.5	2.5	1.5	2.5	5		1	1	2.5
150/1	2.5	2.5	3.75	1.5	3.75	7.5	1	1.5	1.5	3.75
200/1	3.75	3.75	5	2.5	5	10	1.5	2.5	2.5	5
300/1	5	5	7.5	3.75	7.5	15	2.5	3.75	3.75	7.5
400/1	7.5	7.5	10	5	10	20	3.75	5	3.75	7.5
500/1	7.5	10	12.5	7.5	12.5	25	5	5	5	10
600/1	10	12.5	15	10	15	30	5	7.5	7.5	15
50/5					1	2.5				
75/5				1	1.5	3.75				
100/5		1.5	2.5	1.5	2.5	5		1	1	2.5
150/5	2.5	2.5	3.75	1.5	3.75	7.5		1.5	1.5	3.75
200/5	3.75	3.75	5	2.5	5	10	1.5	2.5	2.5	5
300/5	5	5	7.5	3.75	7.5	15	2.5	3.75	3.75	7.5
400/5	7.5	7.5	10	5	10	20	3.75	5	3.75	7.5
500/5	7.5	10	12.5	7.5	12.5	25	5	5	5	10
600/5	10	12.5	15	10	15	30	5	7.5	7.5	15

外形图 Outline drawing



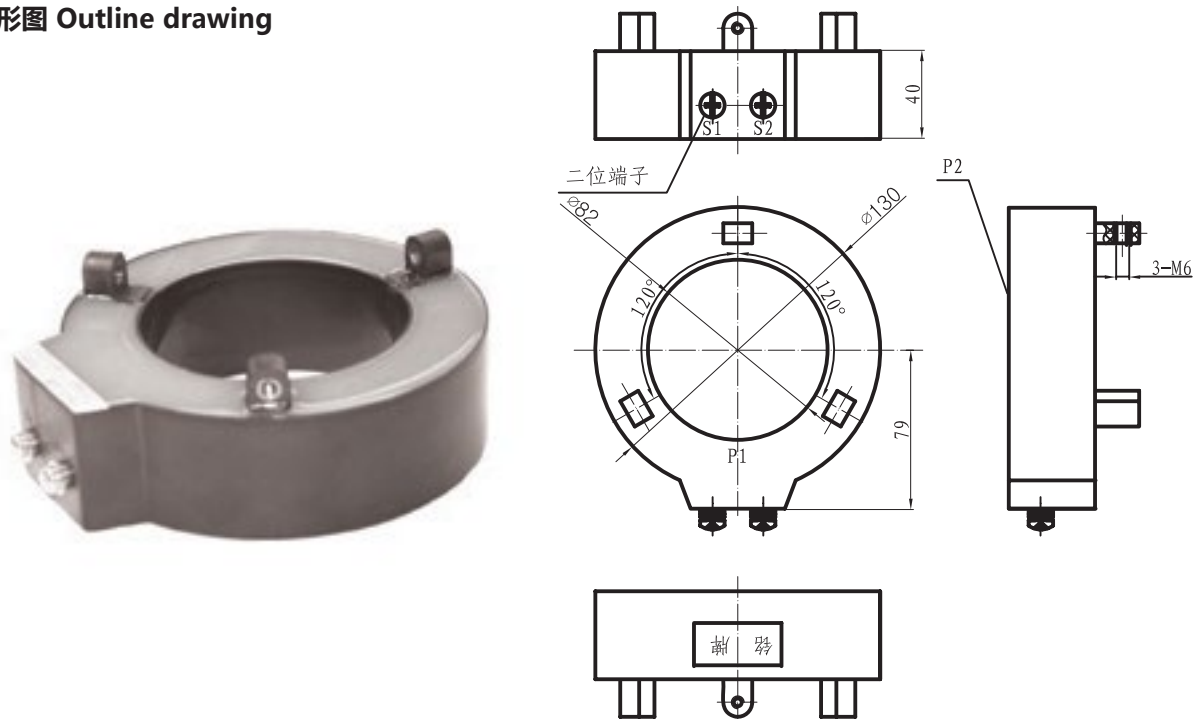
LZCT-10套管式电流互感器

LZCT-10 bushing current transformer

LT10□130082040

产品类别 Product Type	测量电流互感器 Measuring CT			保护电流互感器 Protection CT		
产品代码 Product Code	LT10C130082040			LT10P130082040		
电流比 Ratio I1 / I2	准确级及额定负载 (VA) Acc. class and rated load			准确级及额定负载 (VA) Acc. class and rated load		
	0.2S	0.2	0.5	10P15	10P10	10P5
50/1			1			1
75/1			1.5			1.5
100/1		1.5	2.5		1	2.5
150/1	1.5	1.5	3.75	1	1.5	3.75
200/1	1.5	2.5	5	1.5	2.5	5
300/1	2.5	3.75	5	2.5	3.75	7.5
400/1	3.75	5	7.5	2.5	5	10
500/1	5	5	7.5	3.75	5	12.5
600/1	5	7.5	7.5	5	7.5	15
100/5			2.5		1	2.5
150/5		2.5	3.75	1	1.5	3.75
200/5	2.5	2.5	5	1.5	2.5	5
300/5	3.75	3.75	5	2.5	3.75	7.5
400/5	5	5	7.5	2.5	5	10
500/5	5	5	10	3.75	5	12.5
600/5	7.5	7.5	12.5	5	7.5	15

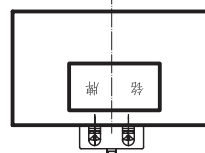
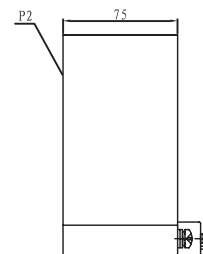
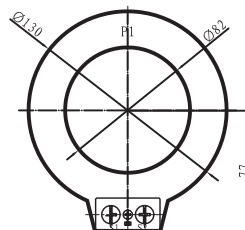
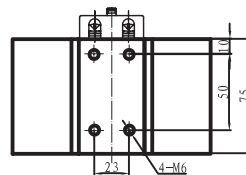
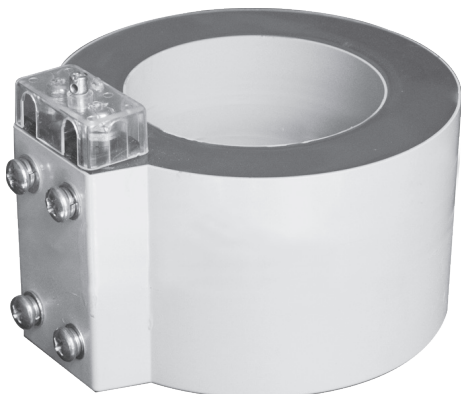
外形图 Outline drawing



LZCT-10套管式电流互感器
 LZCT-10 bushing current transformer
 LT10□130082080

产品类别 Product Type	测量电流互感器 Measuring CT			保护电流互感器 Protection CT			双绕组电流互感器 Double winding CT			
产品代码 Product Code	LT10C130082080			LT10P130082080			LT10D130082080			
电流比 Ratio I1 / I2	准确级及额定负载 (VA) Acc. Class and rated load			准确级及额定负载 (VA) Acc. Class and rated load			准确级及额定负载 (VA) acc. Class and rated load			
	0.2S	0.2	0.5	10P15	10P10	10P5	0.2	0.5	10P10	10P5
30/1						1.5				
40/1			1		1	1.5				1
50/1		1	1.5		1	2.5		1		1
75/1		1.5	2.5	1	1.5	3.75		1.5	1	1.5
100/1	1.5	2.5	3.75	1.5	2.5	5		2.5	1.5	2.5
150/1	2.5	3.75	5	2.5	3.75	7.5	1.5	2.5	1.5	3.75
200/1	3.75	5	7.5	2.5	5	10	1.5	3.75	2.5	5
300/1	5	7.5	10	5	7.5	15	2.5	5	3.75	7.5
400/1	7.5	10	15	5	10	20	3.75	7.5	3.75	10
500/1	10	12.5	20	7.5	12.5	25	5	10	5	12.5
600/1	12.5	15	25	10	15	30	5	12.5	7.5	15
75/5			2.5	1	1.5	3.75			1	1.5
100/5		2.5	3.75	1.5	2.5	5		2.5	1.5	2.5
150/5	2.5	3.75	5	2.5	3.75	7.5		2.5	1.5	3.75
200/5	3.75	5	7.5	2.5	5	10	2.5	3.75	2.5	5
300/5	5	7.5	10	5	7.5	15	3.75	5	3.75	7.5
400/5	7.5	10	15	5	10	20	5	7.5	3.75	10
500/5	10	12.5	20	7.5	12.5	25	5	10	5	12.5
600/5	12.5	15	25	10	15	30	7.5	12.5	7.5	15

外形图 Outline drawing



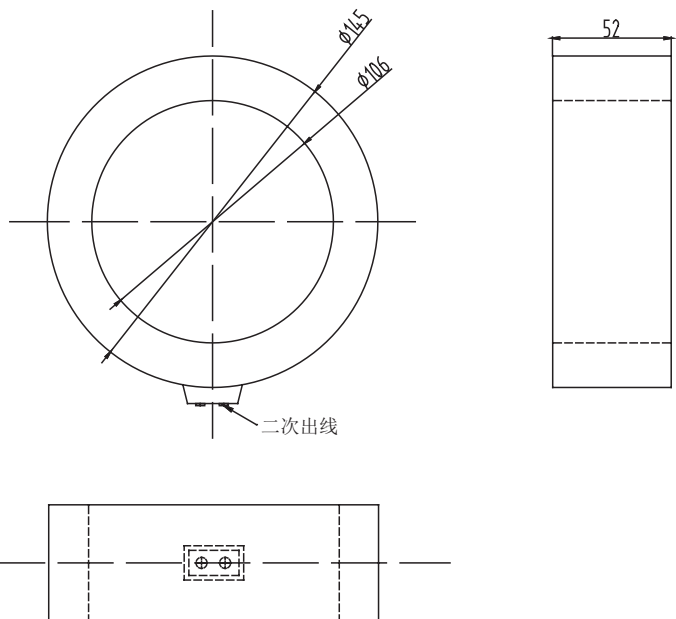
LZCT-10套管式电流互感器

LZCT-10 bushing current transformer

LT10□145106052

产品类别 Product Type	测量电流互感器 Measuring CT			保护电流互感器 Protection CT		
产品代码 Product Code	LT10C145106052			LT10P145106052		
电流比 Ratio I1 / I2	准确级及额定负载 (VA) Acc. class and rated load			准确级及额定负载 (VA) Acc. class and rated load		
	0.2S	0.2	0.5	10P15	10P10	10P5
40/1						1
50/1						1.5
75/1			1.5		1	2.5
100/1		1.5	2.5	1	1.5	3.75
150/1	1.5	2.5	3.75	1.5	1.5	5
200/1	2.5	3.75	5	1.5	2.5	7.5
300/1	3.75	5	7.5	2.5	3.75	10
400/1	5	7.5	10	3.75	5	12.5
500/1	7.5	10	12.5	5	7.5	15
600/1	10	12.5	15	5	10	20
75/5					1	2.5
100/5			2.5	1	1.5	3.75
150/5	1.5	2.5	3.75	1.5	1.5	5
200/5	2.5	3.75	5	1.5	2.5	7.5
300/5	3.75	5	7.5	2.5	3.75	10
400/5	5	7.5	10	3.75	5	12.5
500/5	7.5	10	12.5	5	7.5	15
600/5	10	12.5	15	5	10	20

外形图 Outline drawing



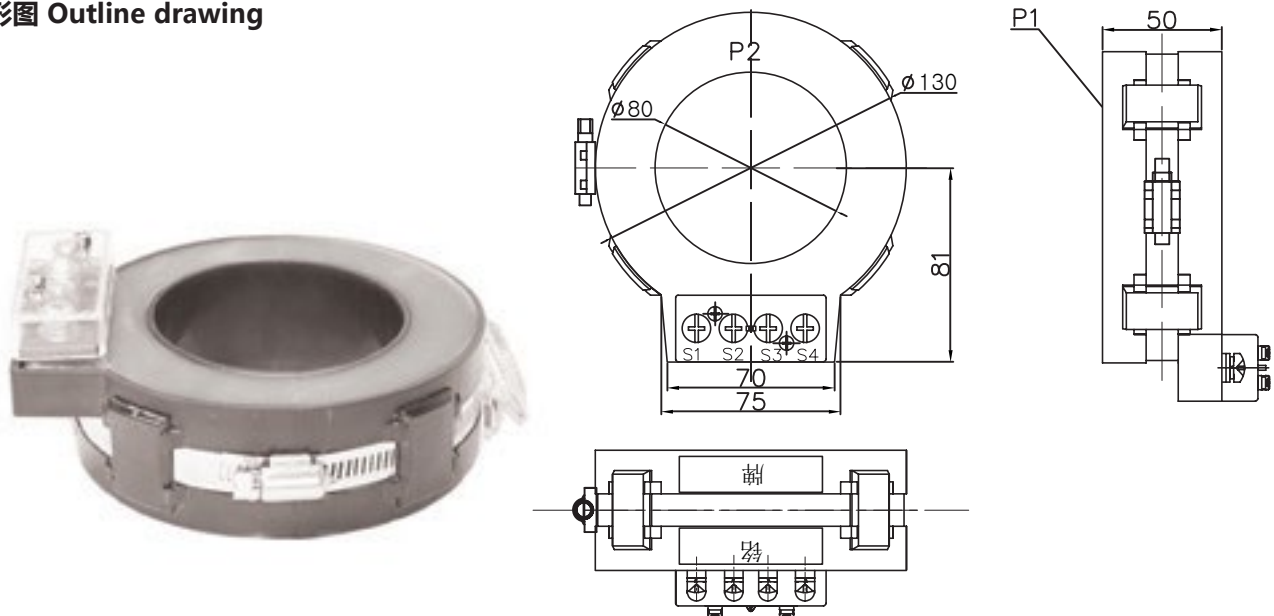
LZKT-10套管式电流互感器

LZKT-10 bushing current transformer

LT10□130080050

产品类别 Product Type	测量电流互感器 Measuring CT			保护电流互感器 Protection CT		
产品代码 Product Code	LT10C130080050			LT10P130080050		
电流比 Ratio I1 / I2	准确级及额定负载 (VA) Acc. class and rated load			准确级及额定负载 (VA) Acc. class and rated load		
	0.2S	0.2	0.5	10P15	10P10	10P5
50/1						1
75/1			1			1.5
100/1			1.5		1	2.5
150/1	1.5	2.5	2.5	1	1.5	3.75
200/1	2.5	3.75	3.75	1.5	2.5	5
300/1	3.75	5	5	1.5	3.75	7.5
400/1	5	5	5	2.5	5	10
500/1	5	7.5	7.5	3.75	5	10
600/1	7.5	10	10	5	7.5	12.5
100/5					1	2.5
150/5	1.5	2.5	2.5	1	1.5	3.75
200/5	2.5	3.75	3.75	1.5	2.5	5
300/5	3.75	5	5	1.5	3.75	7.5
400/5	5	5	5	2.5	5	10
500/5	5	7.5	7.5	3.75	5	10
600/5	7.5	10	10	5	7.5	12.5

外形图 Outline drawing



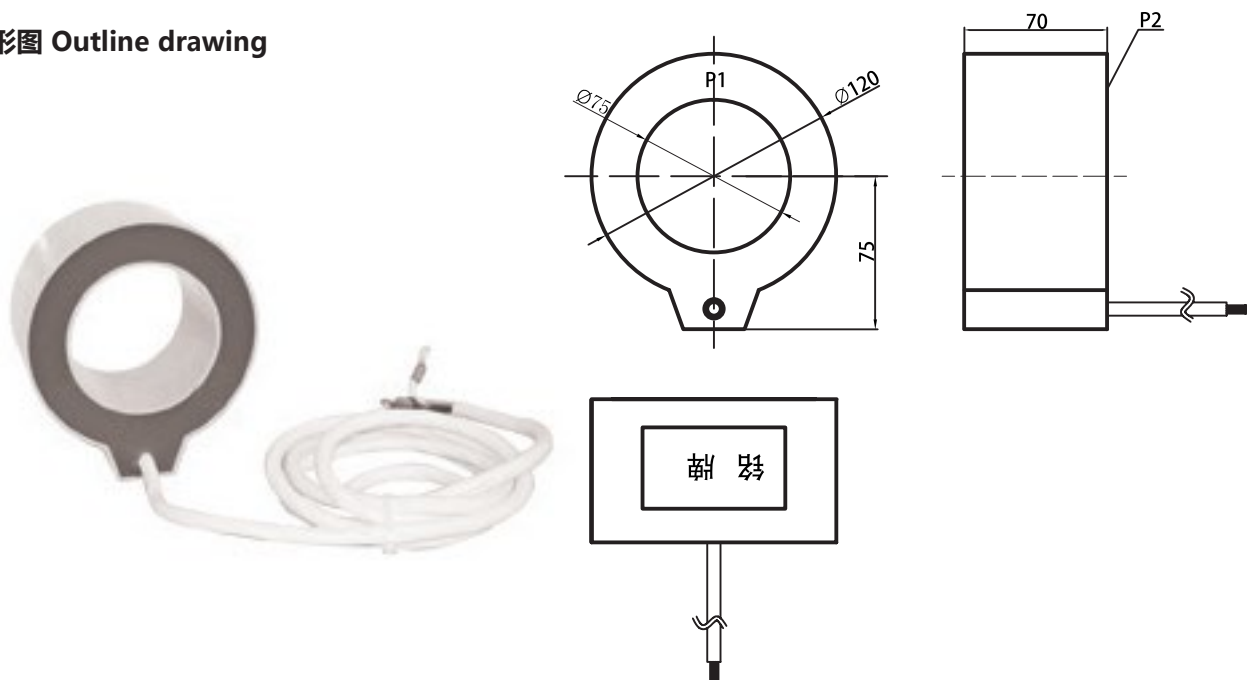
LZCT-10套管式电流互感器

LZCT-10 bushing current transformer

LT10□120075070

产品类别 Product Type	测量电流互感器 Measuring CT			保护电流互感器 Protection CT		
产品代码 Product Code	LT10C120075070			LT10P120075070		
电流比 Ratio I1 / I2	准确级及额定负载 (VA) Acc. class and rated load			准确级及额定负载 (VA) Acc. class and rated load		
	0.2S	0.2	0.5	10P15	10P10	10P5
50/1						
75/1		1.5	2.5		1.5	2.5
100/1	1.5	2.5	3.75	1.5	2.5	5
150/1	2.5	3.75	5	2.5	3.75	7.5
200/1	3.75	5	7.5	2.5	5	10
300/1	5	7.5	10	3.75	7.5	15
400/1	7.5	10	12.5	5	10	20
500/1	10	12.5	15	7.5	12.5	25
600/1	12.5	15	20	10	15	30
100/5				1.5	2.5	5
150/5	1.5	2.5	3.75	2.5	3.75	7.5
200/5	3.75	5	7.5	2.5	5	10
300/5	5	7.5	10	3.75	7.5	15
400/5	7.5	10	12.5	5	10	20
500/5	10	12.5	15	7.5	12.5	25
600/5	12.5	15	20	10	15	30

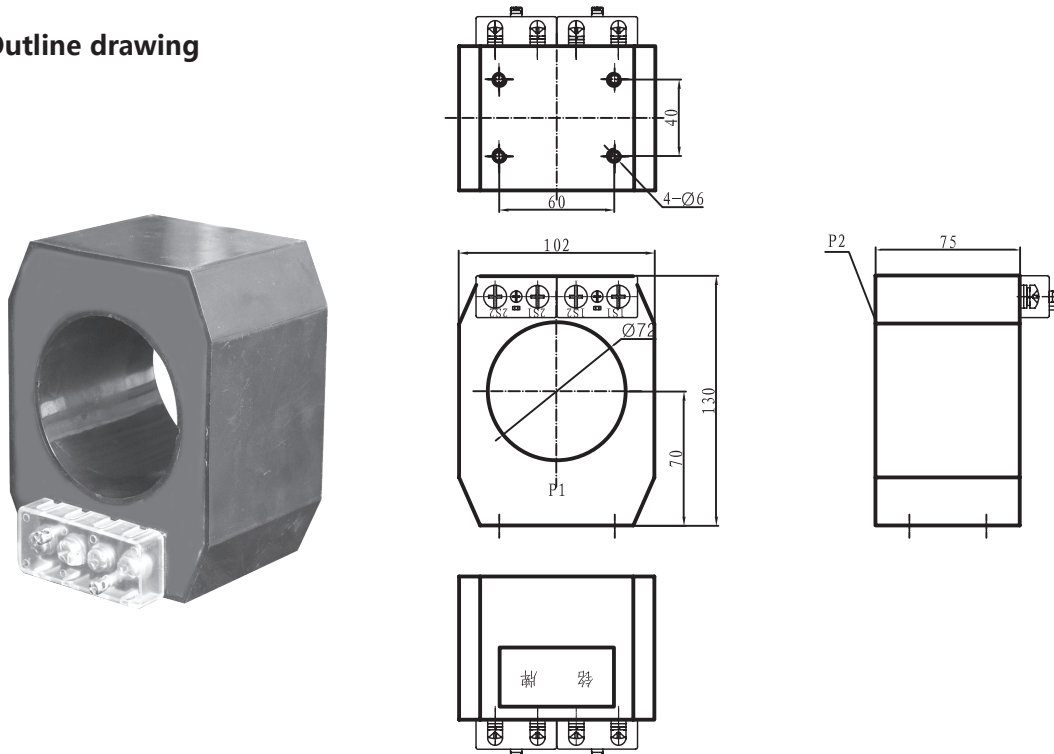
外形图 Outline drawing



LZCT-10套管式电流互感器
 LZCT-10 bushing current transformer
 LT10□130102072075

产品类别 Product Type	测量电流互感器 Measuring CT		保护电流互感器 Protection CT			双绕组电流互感器 Double winding CT		
产品代码 Product Code	LT10C130102072075		LT10P130102072075			LT10D130102072075		
电流比 Ratio I1 / I2	准确级及额定负载 (VA) Acc. class and rated load		准确级及额定负载 (VA) Acc. class and rated load			准确级及额定负载 (VA) acc. Class and rated load		
	0.5	1	10P15	10P10	10P5	0.5	10P10	10P5
50/1								
75/1					2.5			
100/1		2.5		1.5	2.5			
150/1	2.5	3.75		2.5	5	1.5		2.5
200/1	5	7.5	1.5	3.75	7.5	2.5	1.5	3.75
300/1	7.5	10	2.5	5	10	3.75	2.5	5
400/1	10	12.5	3.75	5	10	5	3.75	7.5
500/1	12.5	15	5	7.5	15	5	3.75	7.5
600/1	15	20	7.5	10	20	7.5	5	10
100/5		2.5		1.5	2.5			
150/5	2.5	3.75		2.5	5	1.5		2.5
200/5	5	7.5	1.5	3.75	7.5	2.5	1.5	3.75
300/5	7.5	10	2.5	5	10	3.75	2.5	5
400/5	10	12.5	3.75	5	10	5	3.75	7.5
500/5	12.5	15	5	7.5	15	5	3.75	7.5
600/5	15	20	7.5	10	20	7.5	5	10

外形图 Outline drawing



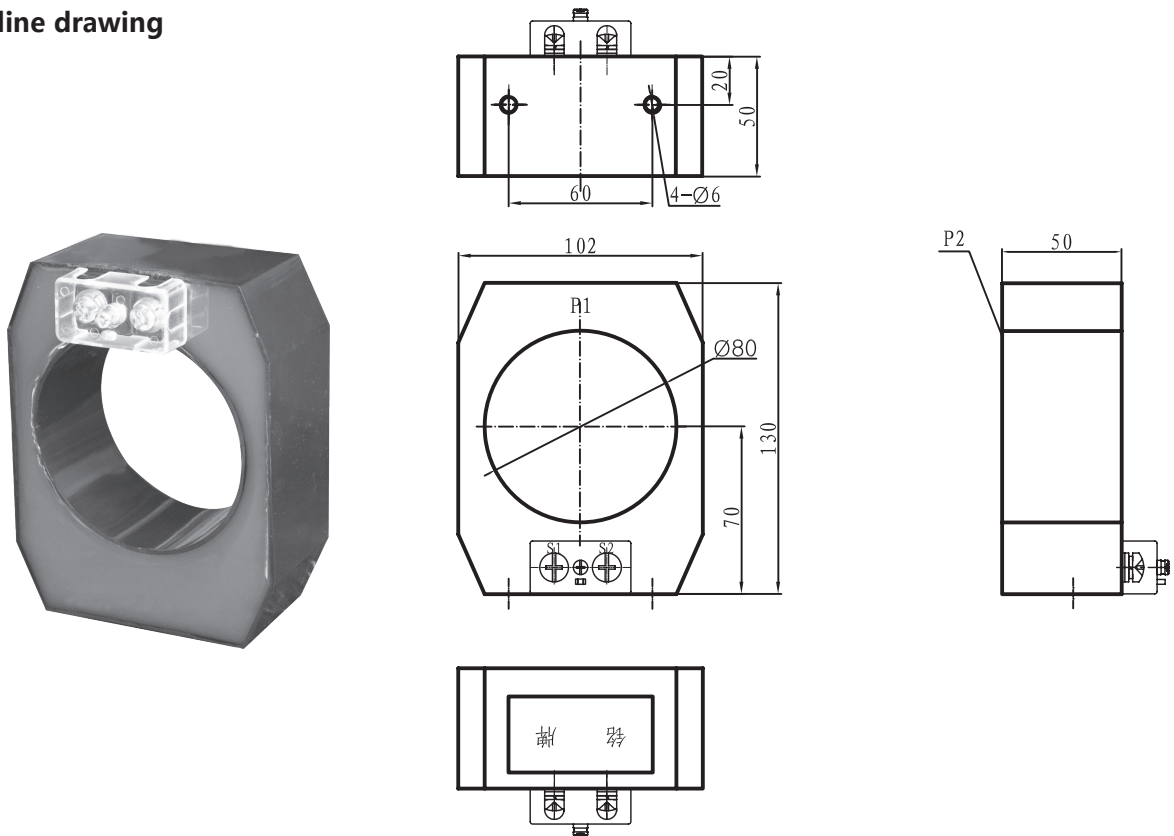
LZCT-10套管式电流互感器

LZCT-10 bushing current transformer

LT10□130102080050

产品类别 Product Type	测量电流互感器 Measuring CT		保护电流互感器 Protection CT		
产品代码 Product Code	LT10C130102080050		LT10P130102080050		
电流比 Ratio I1 / I2	准确级及额定负载 (VA) Acc. class and rated load		准确级及额定负载 (VA) Acc. class and rated load		
	0.5	1	10P15	10P10	10P5
150/1	1.5	1.5			
200/1	2.5	3.75		1	1.5
300/1	3.75	5		1.5	2.5
400/1	5	7.5	1	2.5	5
500/1	5	7.5	1.5	2.5	5
600/1	7.5	10	2.5	3.75	7.5
150/5	1.5	1.5			
200/5	2.5	3.75		1	1.5
300/5	3.75	5		1.5	2.5
400/5	5	7.5	1	2.5	5
500/5	5	7.5	1.5	2.5	5
600/5	7.5	10	2.5	3.75	7.5

外形图 Outline drawing



LZCT-10套管式电流互感器

LZCT-10 bushing current transformer

LT10□145071070

产品类别 Product Type	测量电流互感器 Measuring CT			保护电流互感器 Protection CT			双绕组电流互感器 Double winding CT		
产品代码 Product Code	LT10C145071070			LT10P145071070			LT10D145071070		
相序电流比 Ratio I1 / I2	准确级及额定负载 (VA) Acc. class and rated load			准确级及额定负载 (VA) Acc. class and rated load			准确级及额定负载 (VA) Acc. class and rated load		
	0.2S	0.2	0.5	10P20	10P15	10P10	0.5	10P10	10P15
50/1			2.5						
75/1		1.5	3.75		1.5	2.5	1.5		
100/1	1.5	2.5	5		2.5	3.75	2.5	1.5	
150/1	2.5	3.75	7.5	2.5	3.75	5	3.75	2.5	
200/1	3.75	5	10	3.75	5	7.5	5	3.75	2.5
300/1	5	7.5	15	5	5	10	7.5	5	3.75
400/1	7.5	10	20	5	7.5	15	10	7.5	3.75
500/1	10	15	25	7.5	10	17.5	12.5	7.5	5
600/1	15	20	30	10	12.5	20	15	10	5
50/5			2.5						
75/5		1.5	3.75		1.5	2.5			
100/5	1.5	2.5	5		2.5	3.75	2.5	1.5	
150/5	2.5	3.75	7.5	2.5	3.75	5	3.75	2.5	
200/5	3.75	5	10	3.75	5	7.5	5	3.75	2.5
300/5	5	7.5	15	5	5	10	7.5	5	3.75
400/5	7.5	10	20	5	7.5	15	10	7.5	3.75
500/5	10	15	25	7.5	10	17.5	12.5	7.5	5
600/5	15	20	30	10	12.5	20	15	10	5

外形图 Outline drawing

