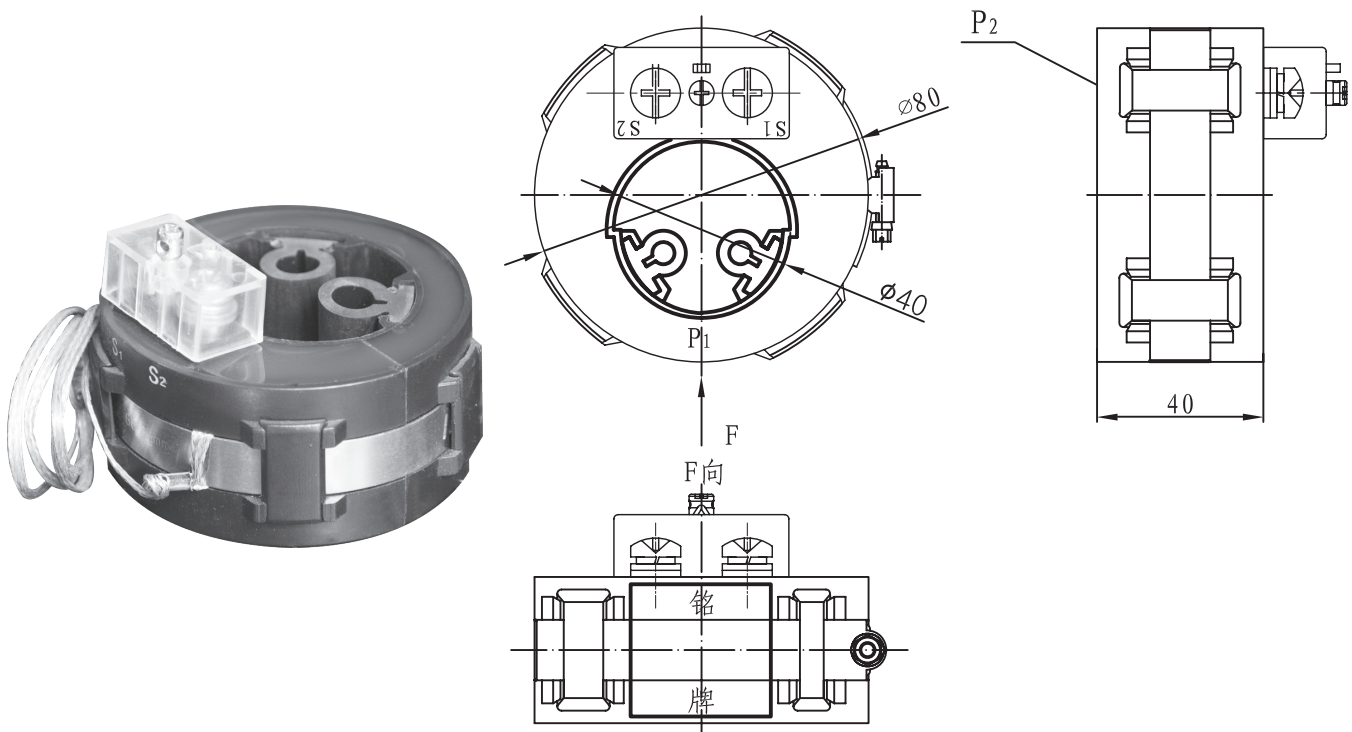


**LDZK-10开启式电流互感器**  
 LDZK-10 Open-core Current Transformer  
 LK10□080040040

产品类别 Product Type	测量电流互感器 Measuring CT			保护电流互感器 Protection CT		
产品代码 Product Code	LK10C080040040			LK10P080040040		
电流比 Ratio I1 / I2	准确级及额定负载 (VA) Acc. class and rated load			准确级及额定负载 (VA) Acc. class and rated load		
	0.5	1	3	10P15	10P10	10P5
100/1		1	1.5			1.5
150/1	1	1.5	2.5		1	1.5
200/1	1.5	2.5	3.75		1.5	2.5
300/1	2.5	2.5	3.75		2	3.75
300/5		2.5	3.75		1.5	3.75
400/5	2.5	2.5	3.75	1.5	2.5	5
500/5	5	5	7.5	1.5	2.5	7.5
600/5	5	5	7.5	2.5	3.75	7.5

**外形图 Outline drawing**



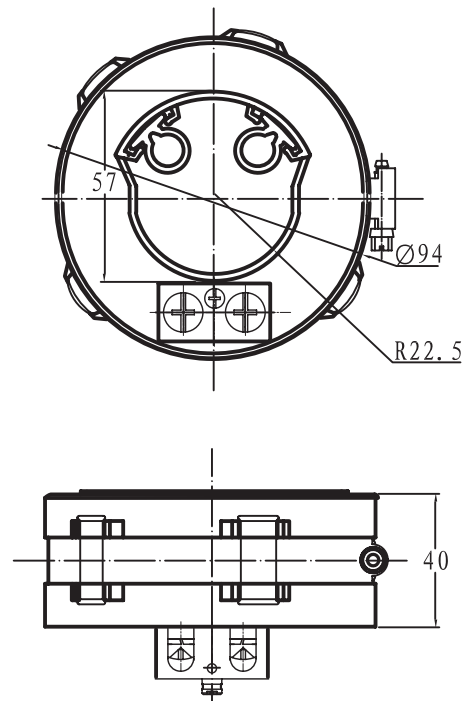
### LDZK-10开启式电流互感器

LDZK-10 Open-core Current Transformer

LK10□094045040

产品类别 Product Type	测量电流互感器 Measuring CT			保护电流互感器 Protection CT		
产品代码 Product Code	LK10C094045040			LK10P094045040		
电流比 Ratio I1 / I2	准确级及额定负载 ( VA ) Acc. class and rated load			准确级及额定负载 ( VA ) Acc. class and rated load		
	0.2	0.5	1	10P15	10P10	10P5
100/1			1.5		1.5	1.5
150/1		2.5	2.5		1.5	3.75
200/1		2.5	3.75		2.5	5
300/1		3.75	3.75		2.5	5
400/1	2.5	5	5	2.5	3.75	7.5
500/1	3.75	5	7.5	2.5	3.75	7.5
600/1	5	7.5	10	3.75	5	10
100/5						2.5
150/5		2.5	2.5		1.5	3.75
200/5		2.5	3.75		2.5	5
300/5		3.75	3.75		2.5	5
400/5	2.5	5	5	2.5	3.75	7.5
500/5	3.75	5	7.5	2.5	3.75	7.5
600/5	5	7.5	10	3.75	5	10

### 外形图 Outline drawing



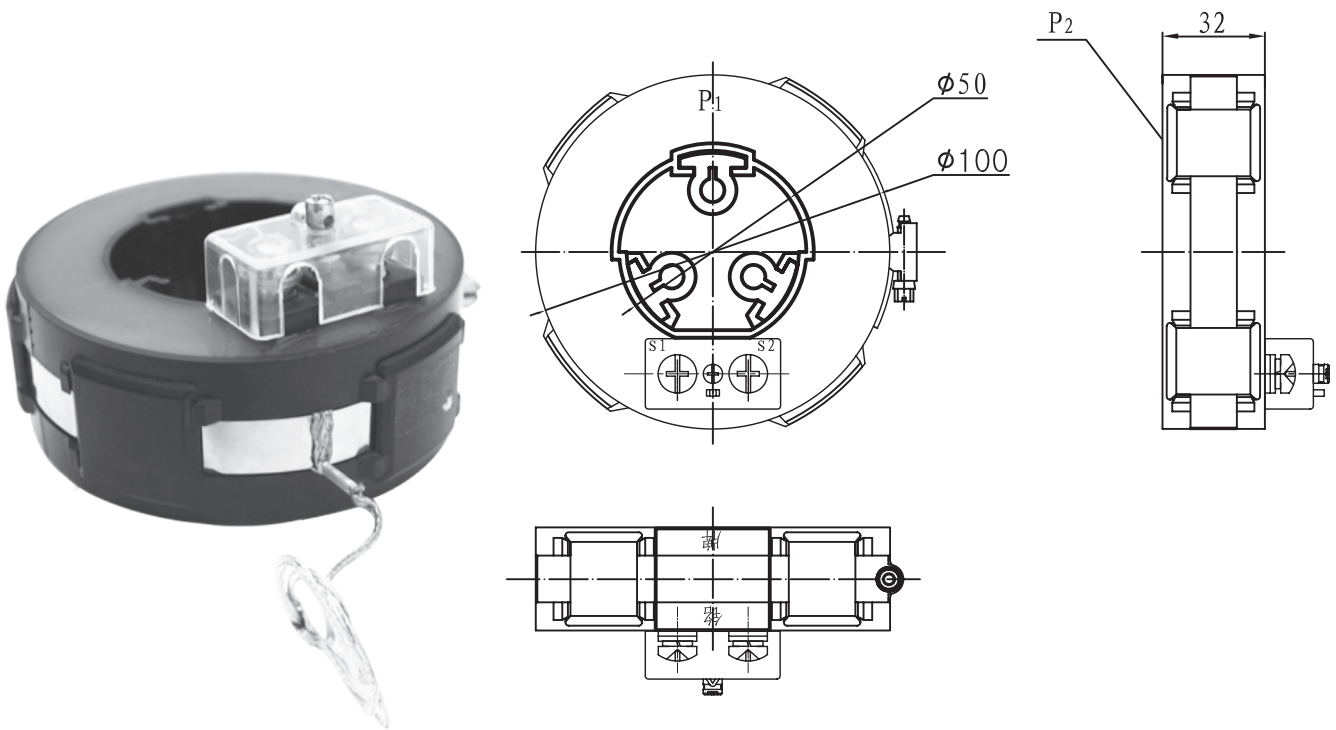
### LDZK-10开启式电流互感器

### LDZK-10 Open-core Current Transformer

LK10□110050032

产品类别 Product Type	测量电流互感器 Measuring CT			保护电流互感器 Protection CT		
产品代码 Product Code	LK10C110050032			LK10P110050032		
电流比 Ratio I1 / I2	准确级及额定负载 ( VA ) Acc. class and rated load			准确级及额定负载 ( VA ) Acc. class and rated load		
	0.5	1	3	10P15	10P10	10P5
300/1	1.5	3.75	3.75		1.5	2.5
400/1	2.5	3.75	3.75		1.5	2.5
500/1	2.5	5	5	1.5	2.5	3.75
600/1	3.75	5	5	1.5	2.5	5
300/5	1.5	3.75	3.75			3.75
400/5	2.5	3.75	3.75		2.5	5
500/5	2.5	5	5	2.5	3.75	7.5
600/5	3.75	7.5	10	2.5	3.75	7.5

### 外形图 Outline drawing



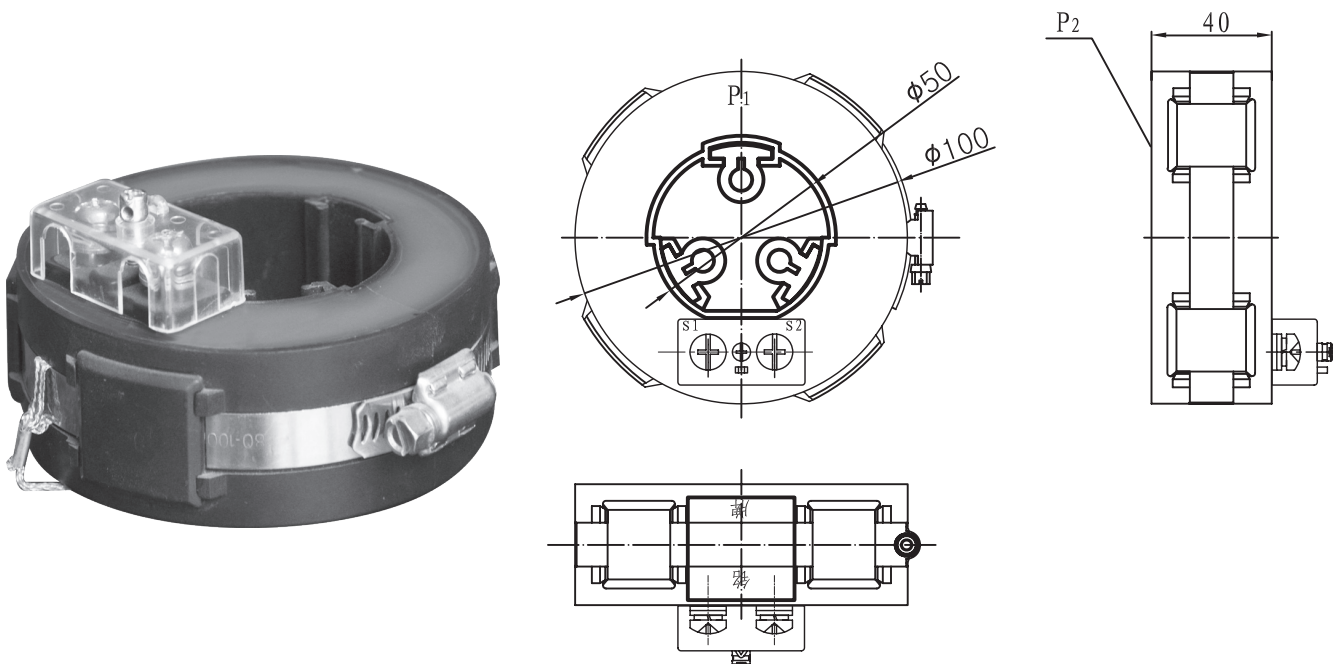
### LDZK-10开启式电流互感器

LDZK-10 Open-core Current Transformer

LK10□110050040

产品类别 Product Type	测量电流互感器 Measuring CT			保护电流互感器 Protection CT		
产品代码 Product Code	LK10C110050040			LK10P110050040		
电流比 Ratio I1 / I2	准确级及额定负载 ( VA ) Acc. class and rated load			准确级及额定负载 ( VA ) Acc. class and rated load		
	0.5	1	3	10P15	10P10	10P5
300/1	2.5	3.75	5	1	1.5	3.75
400/1	2.5	5	7.5	1.5	2.5	5
500/1	5	7.5	10	2.5	3.75	7.5
600/1	7.5	10	10	2.5	3.75	7.5
300/5		3.75	5	1	1.5	3.75
400/5	2.5	5	7.5	1.5	2.5	5
500/5	5	7.5	10	2.5	3.75	7.5
600/5	7.5	10	12.5	2.5	3.75	7.5

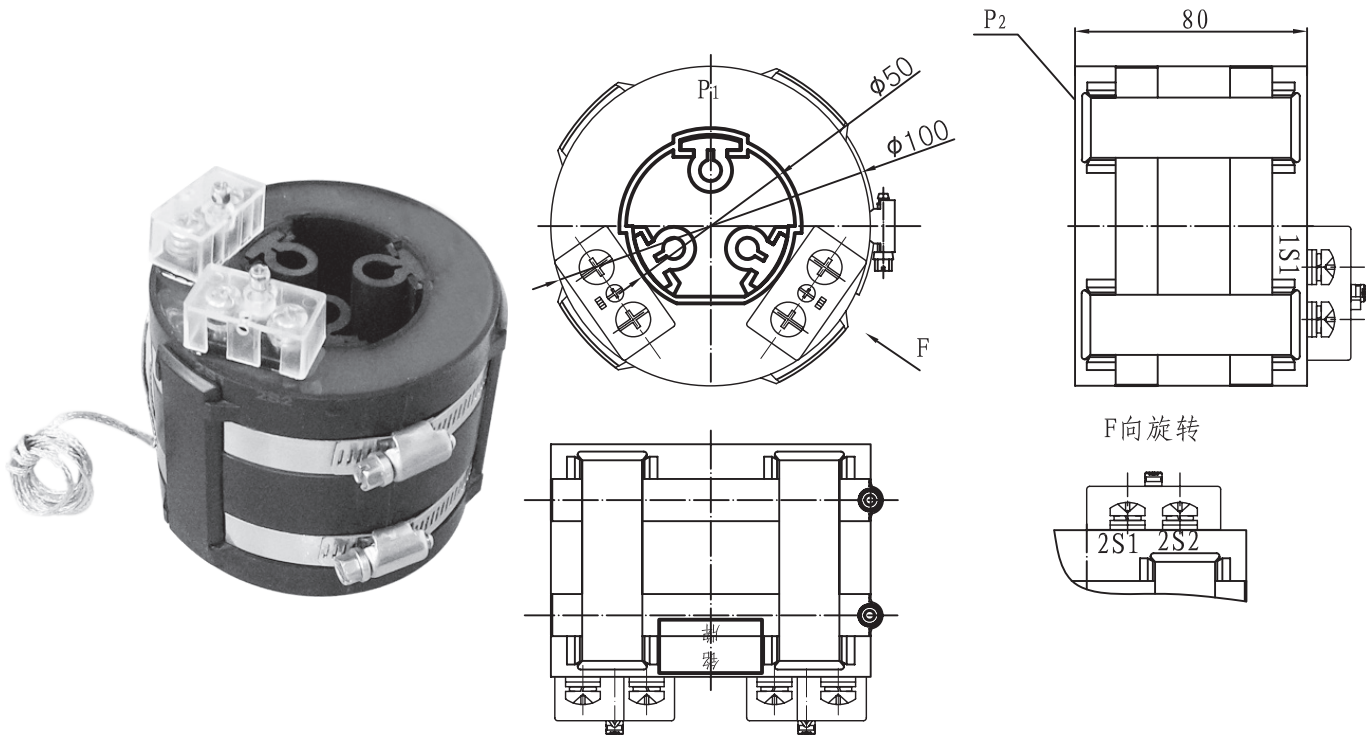
### 外形图 Outline drawing



**LDZK-10开启式电流互感器**  
**LDZK-10 Open-core Current Transformer**  
**LK10□110050080**

产品类别 Product Type	测量电流互感器 Measuring CT			保护电流互感器 Protection CT			双绕组电流互感器 Double winding CT			
产品代码 Product Code	LK10C110050080			LK10P110050080			LK10D110050080			
电流比 Ratio I1 / I2	准确级及额定负载 ( VA ) Acc. class and rated load			准确级及额定负载 ( VA ) Acc. class and rated load			准确级及额定负载 ( VA ) Acc. class and rated load			
	0.5	1	3	10P15	10P10	10P5	0.5	1.0	10P10	10P5
100/1					1.5	2.5				
200/1		2.5	2.5		2.5	5				
300/1	5	7.5	7.5	2.5	3.75	7.5	2.5	3.75	1.5	3.75
400/1	7.5	10	10	3.75	5	10	2.5	5	2.5	5
500/1	10	12.5	12.5	5	5	10	5	7.5	3.75	7.5
600/1	15	15	15	5	7.5	15	7.5	10	3.75	7.5
100/5					1.5	2.5				
200/5		2.5	2.5		2.5	5				
300/5	5	7.5	7.5	2.5	3.75	7.5		3.75	1.5	3.75
400/5	7.5	10	10	3.75	5	10	2.5	5	2.5	5
500/5	10	12.5	12.5	5	5	10	5	7.5	3.75	7.5
600/5	15	15	15	5	7.5	15	7.5	10	3.75	7.5

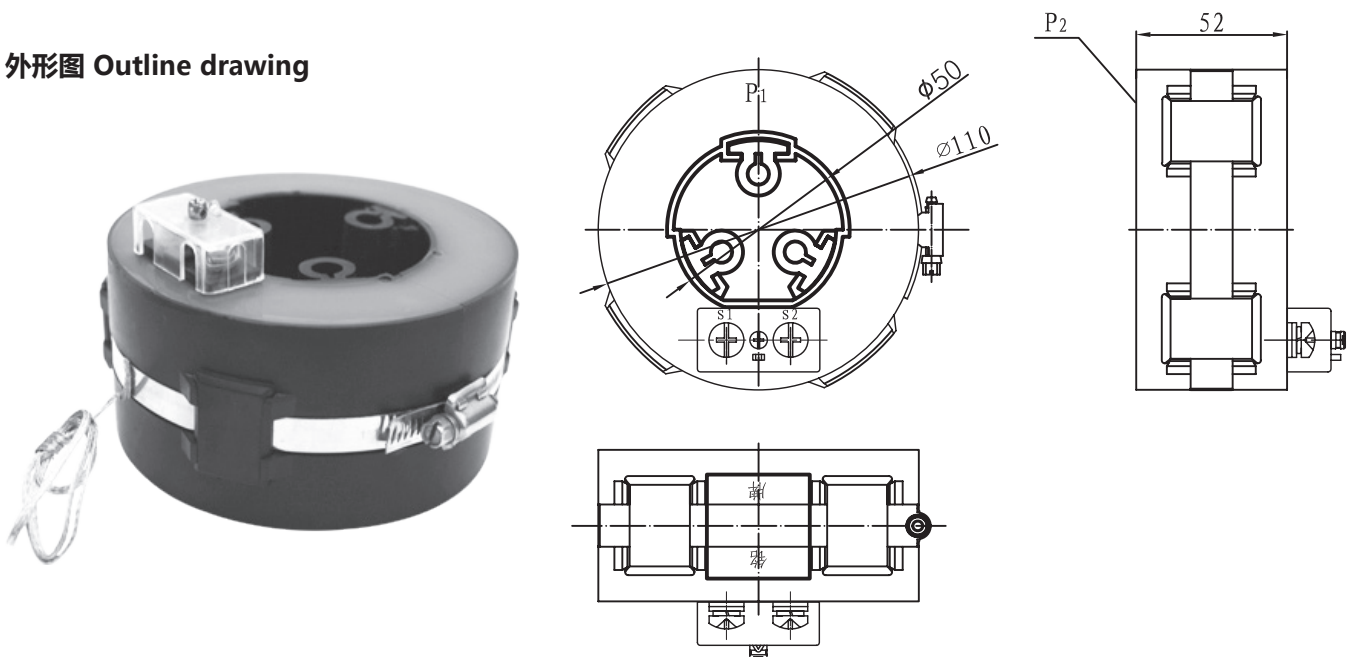
**外形图 Outline drawing**



**LDZK-10开启式电流互感器**  
 LDZK-10 Open-core Current Transformer  
 LK10□110050052

产品类别 Product Type	测量电流互感器 Measuring CT			保护电流互感器 Protection CT		
产品代码 Product Code	LK10C110050052			LK10P110050052		
电流比 Ratio I1 / I2	准确级及额定负载 ( VA ) Acc. class and rated load			准确级及额定负载 ( VA ) Acc. class and rated load		
	0.2	0.5	1.0	10P15	10P10	10P5
40/1						
50/1						1.5
75/1			1.5			2.5
100/1		2.5	2.5		1.5	3.75
150/1		2.5	3.75	1.5	2.5	5
200/1		3.75	5	2.5	3.75	7.5
300/1		5	7.5	3.75	5	10
400/1	3.75	7.5	10	3.75	5	10
500/1	5	10	12.5	5	7.5	15
600/1	7.5	15	15	5	7.5	15
40/5						
50/5						1.5
75/5			1.5			2.5
100/5			2.5		1.5	3.75
150/5		2.5	3.75	1.5	2.5	5
200/5		2.5	5	2.5	3.75	7.5
300/5		5	7.5	3.75	5	10
400/5	5	7.5	15	3.75	5	10
500/5	5	10	15	5	7.5	15
600/5	7.5	15	20	5	10	20

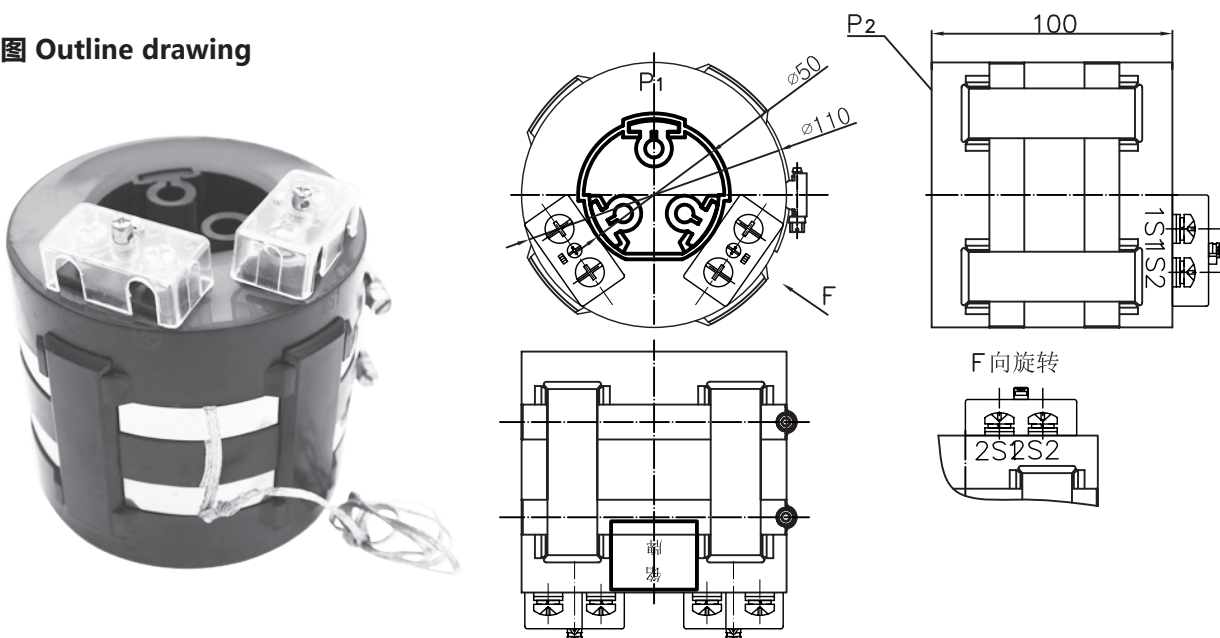
外形图 Outline drawing



**LDZK-10开启式电流互感器**  
**LDZK-10 Open-core Current Transformer**  
**LK10□110050100**

产品类别 Product Type	测量电流互感器 Measuring CT			保护电流互感器 Protection CT			双绕组电流互感器 Double winding CT			
产品代码 Product Code	LK10C110050100			LK10P110050100			LK10D110050100			
电流比 Ratio I1 / I2	准确级及额定负载 (VA) Acc. class and rated load			准确级及额定负载 (VA) Acc. class and rated load			准确级及额定负载 (VA) acc. class and rated load			
	0.2	0.5	1.0	10P15	10P10	10P5	0.5	1.0	10P10	10P5
30/1						1.5				
40/1			1.5			2.5				
50/1			2.5		1.5	3.75				1.5
75/1		2.5	2.5	1.5	2.5	5		1.5		2.5
100/1		2.5	5	2.5	3.75	7.5	2.5	2.5	1.5	3.75
150/1		5	7.5	2.5	5	10	2.5	3.75	2.5	5
200/1	5	7.5	10	5	7.5	15	3.75	5	3.75	7.5
300/1	7.5	10	15	7.5	10	20	5	7.5	5	10
400/1	10	15	20	7.5	10	20	7.5	10	5	10
500/1	15	20	25	10	15	30	10	12.5	7.5	15
600/1	15	20	30	10	15	30	15	15	7.5	15
40/5						2.5				
50/5					1.5	3.75				1.5
75/5			2.5	1.5	2.5	5		1.5		2.5
100/5		2.5	3.75	2.5	3.75	7.5		2.5	1.5	3.75
150/5		5	7.5	2.5	5	10	2.5	3.75	2.5	5
200/5		10	12.5	5	7.5	15	2.5	5	3.75	7.5
300/5	5	10	15	7.5	10	20	5	7.5	5	10
400/5	10	15	20	7.5	10	20	7.5	15	5	10
500/5	15	20	25	10	15	30	10	15	7.5	15
600/5	20	30		10	15	30	15	20	7.5	15

外形图 Outline drawing



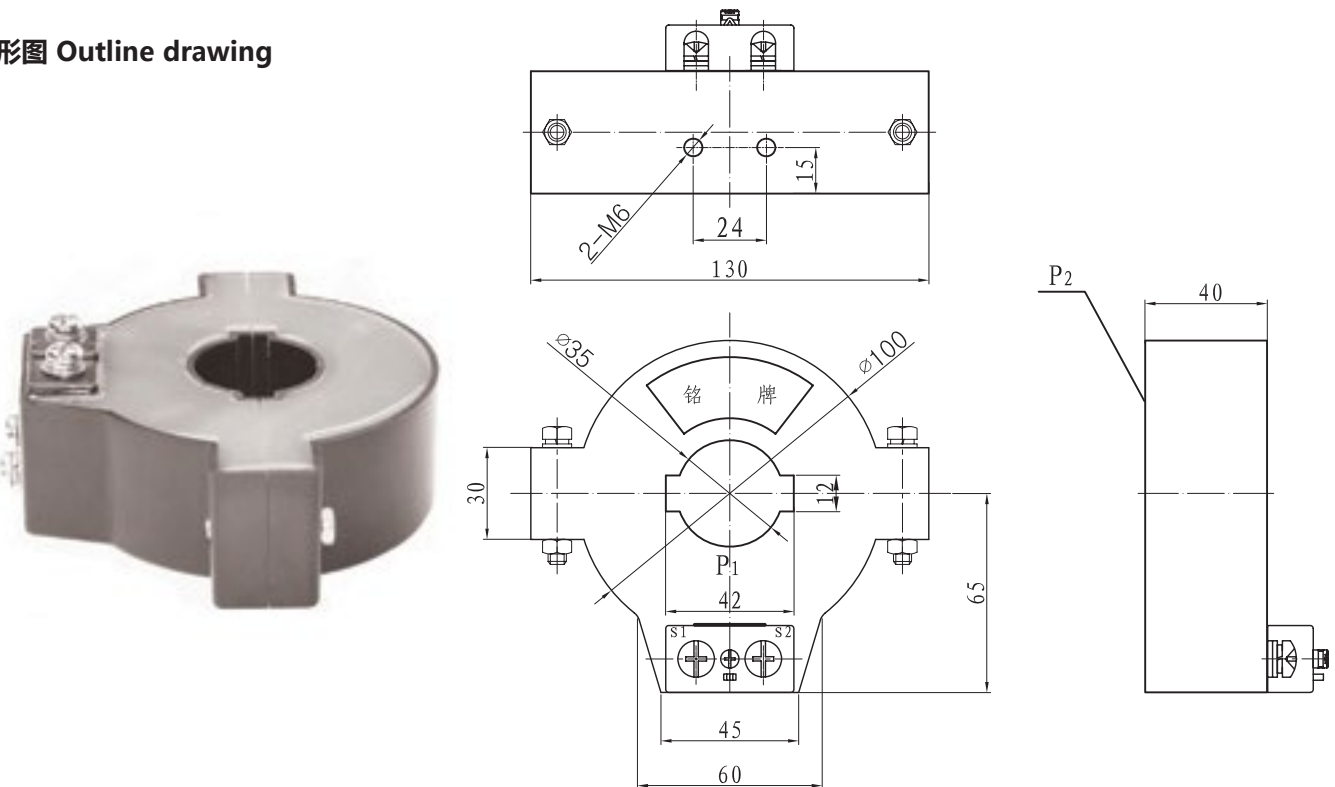
### LDZK-10开启式电流互感器

LDZK-10 Open-core Current Transformer

LK10□100035040

产品类别 Product Type	测量电流互感器 Measuring CT			保护电流互感器 Protection CT		
产品代码 Product Code	LK10C100035040			LK10P100035040		
电流比 Ratio I1 / I2	准确级及额定负载 ( VA ) Acc. class and rated load			准确级及额定负载 ( VA ) Acc. class and rated load		
	0.5	1	3	10P15	10P10	10P5
100/1		1	1.5		1	2.5
150/1	1	1.5	2.5	1	1.5	3.75
200/1	1.5	2.5	2.5	1.5	2.5	5
300/1	2.5	3.75	3.75	2.5	3.75	7.5
400/1	3.75	5	5	2.5	5	10
500/1	5	5	7.5	3.75	5	10
600/1	5	7.5	10	5	7.5	12.5
800/1	7.5	10	12.5	5	10	15
200/5		2.5	2.5	1.5	2.5	5
300/5	2.5	3.75	3.75	2.5	3.75	7.5
400/5	3.75	5	5	2.5	5	10
500/5	5	5	7.5	3.75	5	10
600/5	5	7.5	10	5	7.5	12.5
800/5	7.5	10	12.5	5	10	15

### 外形图 Outline drawing

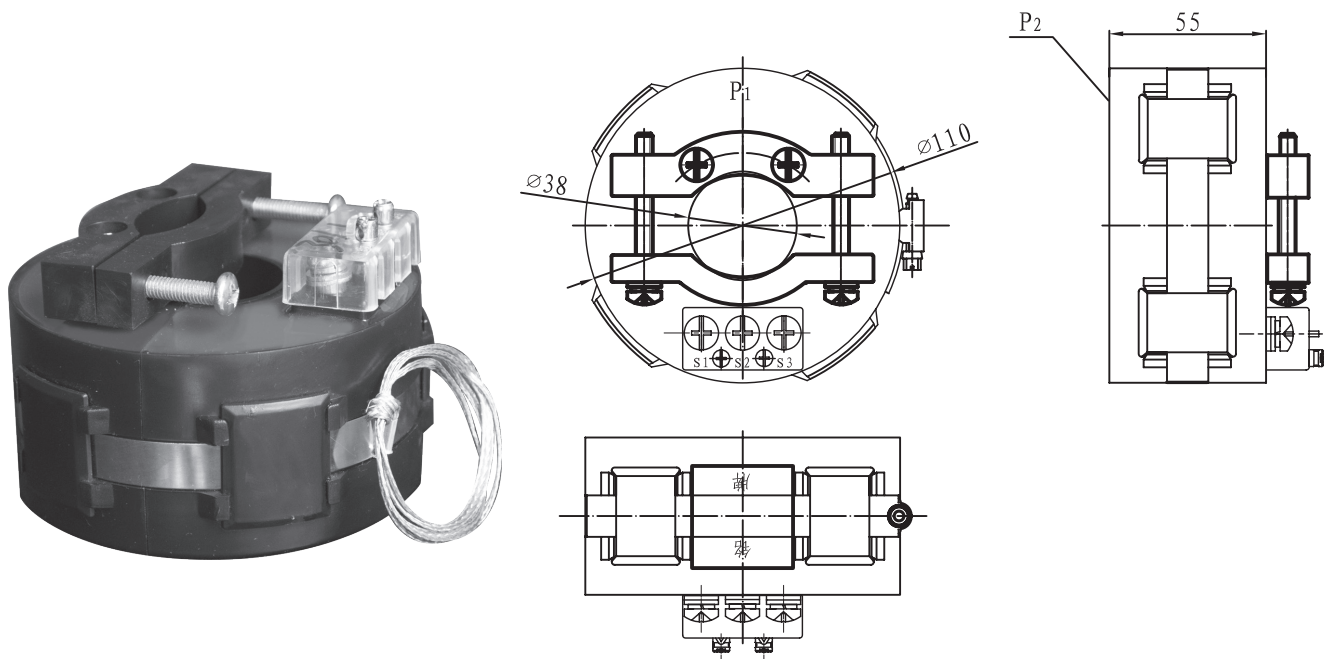




**LDZK-10开启式电流互感器**  
 LDZK-10 Open-core Current Transformer  
 LK10□110038055

产品类别 Product Type	测量电流互感器 Measuring CT			保护电流互感器 Protection CT		
产品代码 Product Code	LK10C110038055			LK10P110038055		
电流比 Ratio I1 / I2	准确级及额定负载 ( VA ) Acc. class and rated load			准确级及额定负载 ( VA ) Acc. class and rated load		
	0.5	1	3	10P15	10P10	10P5
20/1						
30/1			2.5		1.5	2.5
50/1		2.5	3.75	1	1.5	3.75
75/1		2.5	5	1.5	2.5	5
100/1		3.75	5	2.5	3.75	7.5
50/5			1.5		1.5	3.75
75/5			2.5	1.5	2.5	5
100/5		2.5	5	2.5	3.75	7.5

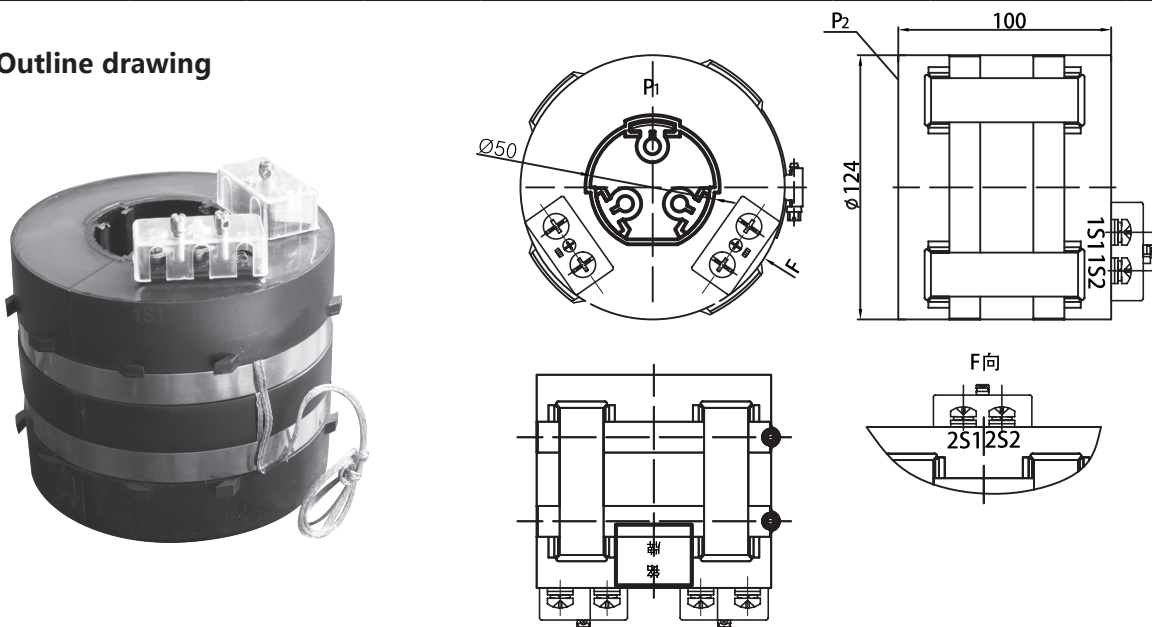
**外形图 Outline drawing**



**LDZK-10开启式电流互感器**  
**LDZK-10 Open-core Current Transformer**  
**LK10□124050100**

产品类别 Product Type	测量电流互感器 Measuring CT			保护电流互感器 Protection CT			双绕组电流互感器 Double winding CT				
产品代码 Product Code	LK10C124050100			LK10P124050100			LK10D124050100				
电流比 Ratio I1 / I2	准确级及额定负载 (VA) Acc. class and rated load			准确级及额定负载 (VA) Acc. class and rated load			准确级及额定负载 (VA) acc. class and rated load				
	0.2	0.5	1.0	10P15	10P10	10P5	0.5	1.0	10P10	10P5	
20/1											
30/1			2.5			2.5					
40/1			2.5			3.75					
50/1			3.75	1.5	2.5	5					1.5
75/1			3.75	2.5	3.75	7.5		1.5			2.5
100/1		3.75	5	3.75	5	10		2.5	2.5		5
150/1		5	7.5	5	7.5	15	1.5	3.75	3.75		7.5
200/1		10	15	5	10	20	3.75	5	5		10
300/1	10	12.5	20	7.5	12.5	25	5	10	7.5		15
400/1	15	20	30	10	15	30	7.5	12.5	10		20
500/1	20	25		12.5	20		10	15	12.5		25
600/1	25	30		15	25		12.5	20	15		30
50/5			3.75	1.5	2.5	5		1.5			1.5
75/5		2.5	5	2.5	3.75	7.5		2.5			2.5
100/5		3.75	5	3.75	5	10		2.5	2.5		5
150/5		7.5	10	5	7.5	15	1.5	3.75	3.75		7.5
200/5		15	15	5	10	20	3.75	7.5	5		10
300/5		20	20	7.5	12.5	25	5	10	7.5		15
400/5	15	25	25	10	15	30	7.5	15	10		20
500/5	20	30	30	12.5	20		10	15	12.5		25
600/5	25			15	25		12.5	20	15		30

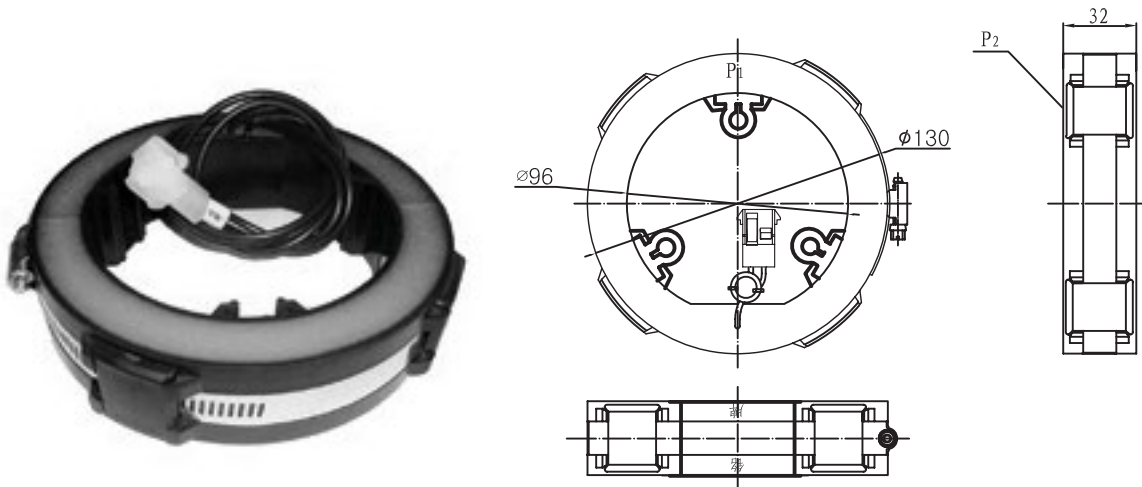
外形图 Outline drawing



**LDZK-10开启式电流互感器**  
**LDZK-10 Open-core Current Transformer**  
**LK10□130096032**

产品类别 Product Type	测量电流互感器 Measuring CT			保护电流互感器 Protection CT		
产品代码 Product Code	LK10C130096032			LK10P130096032		
电流比 Ratio I1 / I2	准确级及额定负载 ( VA ) Acc. class and rated load			准确级及额定负载 ( VA ) Acc. class and rated load		
	0.5	1.0	3.0	10P15	10P10	10P5
150/1						
200/1						1.5
300/1		1.5	2		1.5	2.5
400/1	1.5	2	2.5	1.5	1.5	2.5
500/1	2	2.5	3.75	1.5	2.5	3.75
600/1	2.5	3.75	5	1.5	2.5	3.75
150/5						
200/5						1.5
300/5		1.5	2.5		1.5	2.5
400/5		2.5	2.5		1.5	2.5
500/5	2.5	3.75	3.75	1.5	2.5	3.75
600/5	2.5	3.75	5	1.5	2.5	3.75

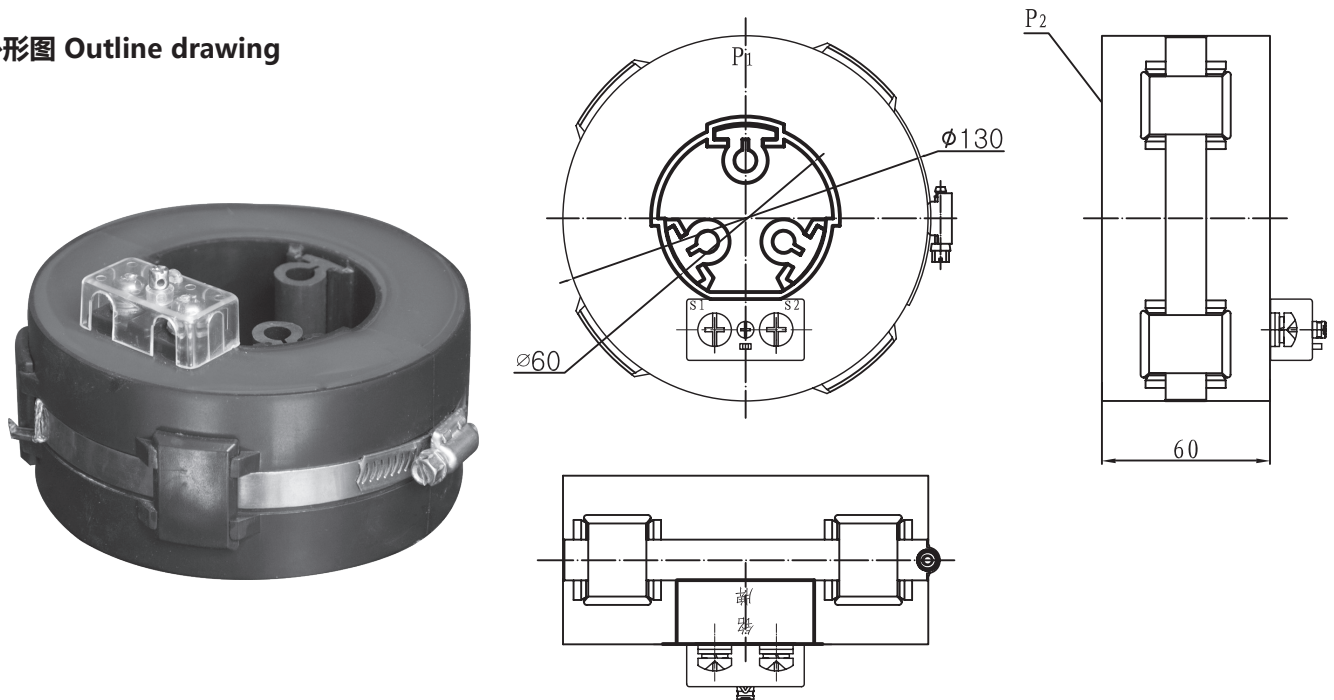
**外形图 Outline drawing**



**LDZK-24开启式电流互感器**  
 LDZK-24 Open-core Current Transformer  
 LK24□130060060

产品类别 Product Type	测量电流互感器 Measuring CT			保护电流互感器 Protection CT		
产品代码 Product Code	LK24C130060060			LK24P130060060		
电流比 Ratio I1 / I2	准确级及额定负载 (VA) Acc. class and rated load			准确级及额定负载 (VA) Acc. class and rated load		
	0.5	1.0	3	10P15	10P10	10P5
50/1			1.5			1.5
75/1		1.5	2.5			2.5
100/1		2.5	3.75			3.75
150/1	2.5	5	7.5		2.5	5
200/1	3.75	7.5	10	2.5	3.75	7.5
300/1	5	10	12.5	3.75	5	10
400/1	10	15	15	5	7.5	15
500/1	12.5	20	20	7.5	10	20
600/1	15	20	25	7.5	12.5	25
75/5			2.5			2.5
100/5		2.5	3.75			3.75
150/5		3.75	5		2.5	5
200/5	2.5	7.5	7.5	2.5	3.75	7.5
300/5	5	10	12.5	3.75	5	10
400/5	7.5	15	15	5	7.5	15
500/5	10	20	20	7.5	10	20
600/5	15	25	25	7.5	12.5	25

外形图 Outline drawing



**LDZK-35开启式电流互感器**  
**LDZK-35Open-core Current Transformer**  
**LK35□135075070**

产品类别 Product Type	测量电流互感器 Measuring CT			保护电流互感器 Protection CT			双绕组电流互感器 Double winding CT			
产品代码 Product Code	LK35C135075070			LK35P135075070			LK35D135075070			
电流比 Ratio I1 / I2	准确级及额定负载 (VA) Acc. class and rated load			准确级及额定负载 (VA) Acc. class and rated load			准确级及额定负载 (VA) acc. class and rated load			
	0.2	0.5	1.0	10P15	10P10	10P5	0.5	1.0	10P10	10P5
50/1						2.5				
75/1			1.5		1.5	2.5				
100/1		2.5	3.75		2.5	5		1.5		1.5
150/1		3.75	5	2.5	3.75	7.5	1.5	2.5	1.5	2.5
200/1		7.5	10	3.75	5	10	2.5	3.75	1.5	3.75
300/1		7.5	10	5	5	12.5	3.75	5	2.5	5
400/1	5	10	15	7.5	7.5	15	5	5	3.75	7.5
500/1	7.5	12.5	20	7.5	10	20	5	7.5	5	10
600/1	7.5	15	25	10	12.5	25	7.5	10	7.5	12.5
75/5			2.5			2.5				
100/5		2.5	3.75		1.5	3.75		1.5		1.5
150/5		3.75	5	2.5	2.5	5	1.5	2.5	1.5	2.5
200/5		7.5	10	3.75	5	10	2.5	3.75	1.5	3.75
300/5		10	15	5	7.5	15	3.75	5	2.5	5
400/5	5	12.5	20	7.5	10	20	5	5	3.75	7.5
500/5	7.5	12.5	20	7.5	12.5	25	5	7.5	5	10
600/5	7.5	15	25	10	15	30	7.5	10	7.5	12.5

**外形图 Outline drawing**

